



Illustrated Parts Manual

Models

E300AJ

E300AJP

S/N 0300138358

TO PRESENT

3121254

November 4, 2013

ANSI

CE



An Oshkosh Corporation Company

REVISION LOG

October 15, 2009 - Original Issue Of Manual (Edited to B/M 0010720 Revision 4)
October 25, 2010 - Revised Manual (Edited to B/M 0010720 Revision 9)
March 16, 2011 - Revised Manual (Edited to B/M 0010720 Revision 12)
June 10, 2011 - Revised Manual (Edited to B/M 0010720 Revision 12)
September 16, 2011 - Revised Manual (Edited to B/M 0010720 Revision 13)
November 29, 2011 - Revised Manual (Edited to B/M 0010720 Revision 13)
March 20, 2012 - Revised Manual (Edited to B/M 0010720 Revision B)
July 10, 2012 - Revised Manual (Edited to B/M 0010720 Revision C)
October 10, 2012 - Revised Manual (Edited to B/M 0010720 Revision D)
February 12, 2013 - Revised Manual (Edited to B/M 0010720 Revision E)
May 2, 2013 - Revised Manual (Edited to B/M 0010720 Revision H)
August 6, 2013 - Revised Manual (Edited to B/M 0010720 Revision H)
November 4, 2013 - Revised Manual (Edited to B/M 0010720 Revision H)

REVISION LOG

TABLE OF CONTENTS

FIGURE NO.	TITLE	PAGE NO.
SECTION 1 - FRAME		1-1
1-1	STEER INSTALLATION	1-2
1-2	TIRE & WHEEL DRIVE INSTALLATION	1-4
1-3	DRIVE HUB ASSEMBLY	1-6
1-4	DRIVE MOTOR ASSEMBLY	1-10
1-5	ELECTRICAL COMPONENTS INSTALLATION (FRAME MOUNTED)	1-12
1-6	BATTERY BOX INSTALLATION	1-16
1-7	FRAME COVERS INSTALLATION	1-18
1-8	INVERTER INSTALLATION (OPTIONAL)	1-20
SECTION 2 - TURNTABLE		2-1
2-1	CONTROL VALVES & TANK/MOTOR INSTALLATIONS	2-2
2-2	MAIN CONTROL VALVE ASSEMBLY	2-6
2-3	BOOM FUNCTION VALVE ASSEMBLY	2-8
2-4	TURNTABLE AND SWING DRIVE INSTALLATION	2-10
2-5	TURNTABLE BEARING ASSEMBLY	2-12
2-6	SWING MOTOR ASSEMBLY	2-14
2-7	GROUND CONTROL BOX ASSEMBLY	2-16
2-8	ELECTRICAL COMPONENTS INSTALLATIONS	2-20
2-9	HOODS INSTALLATION	2-24
SECTION 3 - BOOM		3-1
3-1	BOOM AND CYLINDERS INSTALLATION	3-2
3-2	TOWER BOOM ASSEMBLY	3-6
3-3	MAIN BOOM ASSEMBLY	3-8
3-4	JIB ASSEMBLY & PLATFORM SUPPORT INSTALLATION	3-12
3-5	PLATFORM ROTATOR ASSEMBLY	3-16
3-6	JIB SWING ROTATOR ASSEMBLY (E300AJP ONLY)	3-18
3-7	CABLE, CLAMPS & LIMIT SWITCHES INSTALLATION	3-20
SECTION 4 - PLATFORM		4-1
4-1	PLATFORM ASSEMBLY	4-2
4-2	PLATFORM CONSOLE ASSEMBLY	4-6
4-3	CONTROLLER ASSEMBLY (DRIVE AND STEER)	4-10
4-4	CONTROLLER ASSEMBLY (SWING & LIFT)	4-14
SECTION 5 - CYLINDER		5-1
5-1	LEVEL (PLATFORM SLAVE) CYLINDER ASSEMBLY	5-2
5-2	LIFT (JIB) CYLINDER ASSEMBLY	5-4
5-3	LIFT (MAIN BOOM) CYLINDER ASSEMBLY	5-6
5-4	LIFT (TOWER BOOM) CYLINDER ASSEMBLY	5-8
5-5	MASTER CYLINDER ASSEMBLY	5-10
5-6	STEER CYLINDER ASSEMBLY	5-12
5-7	TELESCOPE CYLINDER ASSEMBLY	5-14
SECTION 6 - HYDRAULIC		6-1
6-1	HYDRAULIC DIAGRAM - E300AJ	6-2
6-2	DRIVE HYDRAULIC DIAGRAM - E300AJP	6-4
6-3	HYDRAULIC DIAGRAM LIST	6-8

TABLE OF CONTENTS

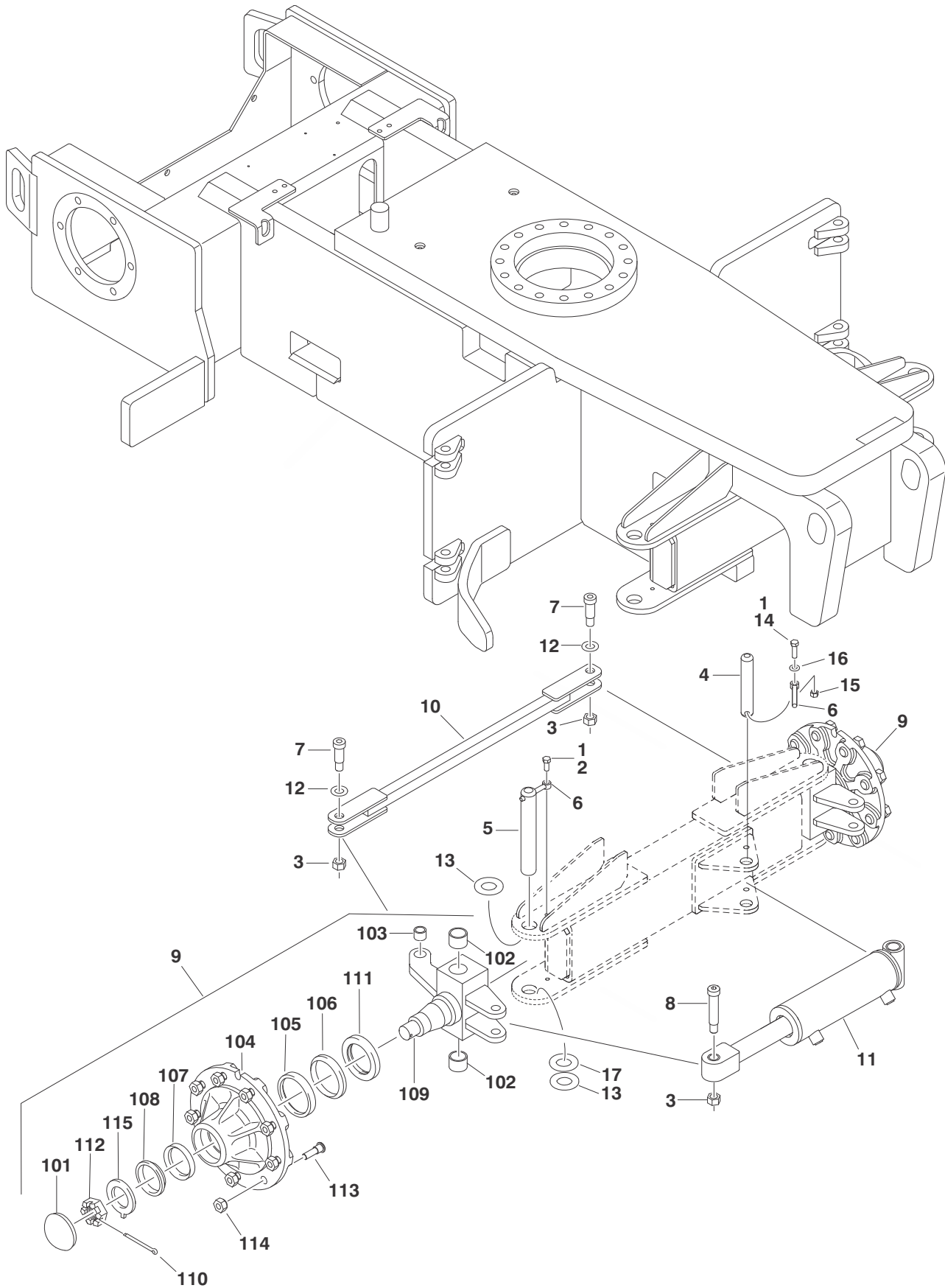
FIGURE NO.	TITLE	PAGE NO.
SECTION 7 - ELECTRICAL		7-1
7-1	ELECTRICAL DIAGRAM LIST	7-2
7-2	HARNESS COMPONENTS INSTALLATION	7-4
SECTION 8 - DECALS		8-1
8-1	DECAL INSTALLATION (ANSI SPEC)	8-2
8-2	DECAL INSTALLATION (COUNTRY SPECS)	8-6
8-3	DECAL INSTALLATION (AUSTRALIAN/CE SPECS)	8-12
SECTION 9 - RECOMMENDED SERVICE PARTS STOCK		9-1
SECTION 10 - SPECIAL OPTIONS		10-1
SECTION 11 - PARTS NUMBER INDEX		11-1

SECTION 1

FRAME

SECTION 1 FRAME

FIGURE 1-1. STEER INSTALLATION



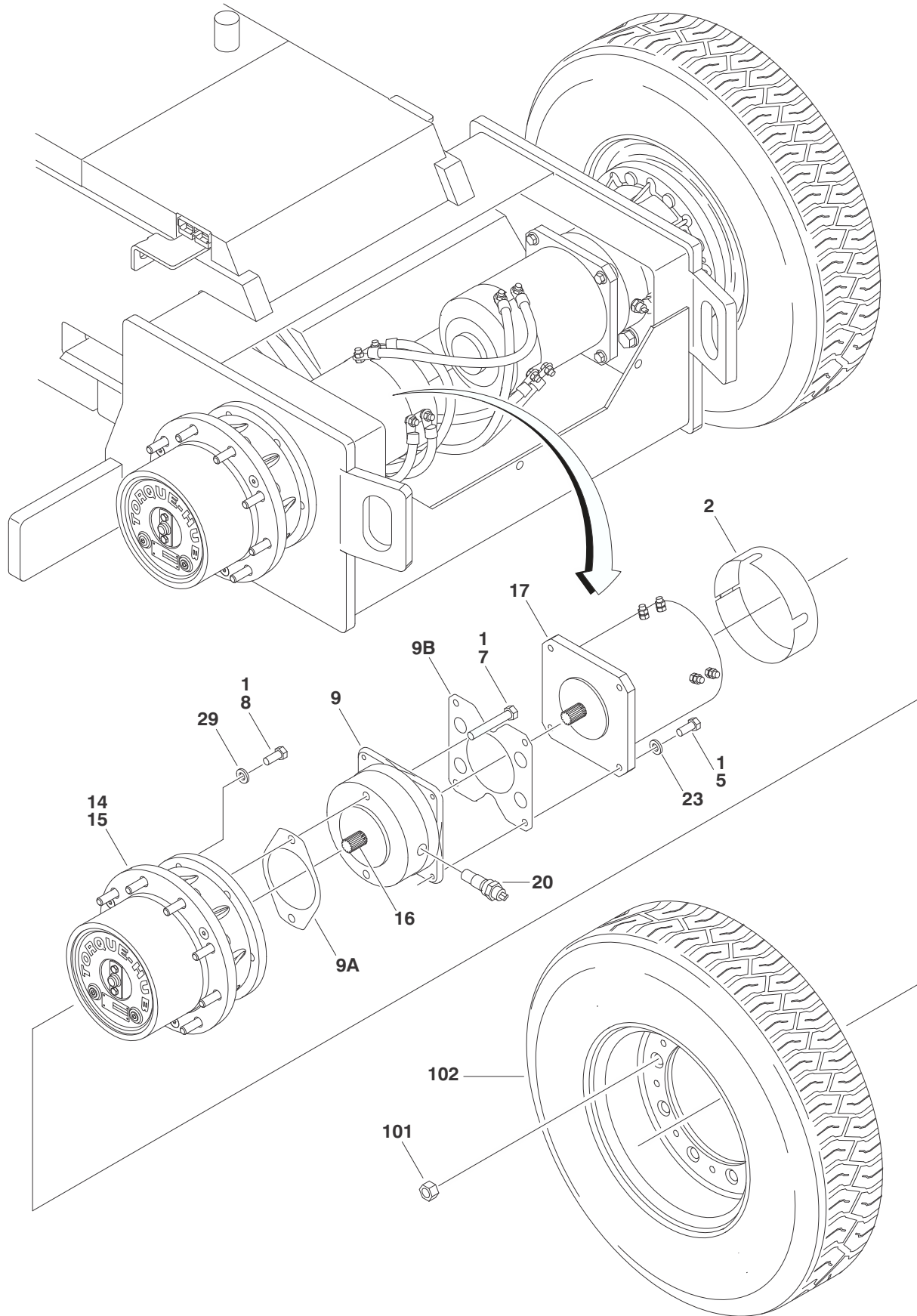
SECTION 1 FRAME

FIGURE 1-1. STEER INSTALLATION

ITEM #	PART NUMBER	QTY.	DESCRIPTION	REV.
	1001108599	Ref	STEER INSTALLATION	C
1	0100011	AR	Compound, Locking	
2	0641607	2	Bolt 3/8in-16NC x 7/8in	
3	3312005	3	Locknut 5/8in-11NC	
4	3422181	1	Pin	
5	3422562	2	Pin	
6	3841143	3	Keeper, Pin	
7	3900118	2	Screw, Shoulder	
8	3900255	1	Capscrew, Shoulder 3/4in x 3in	
9	1001107712	2	Hub/Spindle Assembly (See Items 101-115 for Breakdown)	
10	1001107727	1	Tie-Rod	
11	1001108310	1	Steer Cylinder Assembly (See Section 5 for Breakdown)	
12	4740086	2	Thrustwasher	
13	0440162	4	Thrustwasher	
14	0641610	1	Bolt 3/8in-16NC x 1-1/4in	
15	3311605	1	Locknut 3/8in-16NC	
16	4711600	1	Flatwasher 3/8in Thin	
17	1001151428	AR	Plate, Shim (SN 0300176716 to Present)	
	1001107712	Ref	HUB/SPINDLE ASSEMBLY	A
		Ref	Note: Qty shown is for 1 Hub Assembly. Machine requires 2 assemblies.	
101	7020137	1	Cap, Dust	
102	0961951	2	Bushing, Garmax	
103	0962140	1	Bearing, Garmax	
104	70002434	1	Hub	
105	7020036	1	Cup, Bearing (Inner) (Part of Item 104)	
106	7020037	1	Cone, Bearing (Inner)	
107	7020038	1	Cup, Bearing (Outer) (Part of Item 104)	
108	7020039	1	Cone, Bearing (Outer)	
109	70002435	1	Spindle	
110	7020140	1	Pin, Cotter	
111	7020040	1	Seal	
112	7020054	1	Nut, Castle 1-1/4in-12	
113	7020041	9	Stud 5/8in-18NF	
114	7020042	9	Lugnut 5/8in-18NF	
115	7020055	1	Washer, Tanged 1-1/4in	

SECTION 1 FRAME

FIGURE 1-2. TIRE & WHEEL DRIVE INSTALLATION



SECTION 1 FRAME

FIGURE 1-2. TIRE & WHEEL DRIVE INSTALLATION

ITEM #	PART NUMBER	QTY.	DESCRIPTION	REV.
		Ref	WHEEL DRIVE INSTALLATION OPTIONS:	
	1001109430	Ref	Standard Spec	F
	1001109431	Ref	UL Spec	H
1	0100019	AR	Compound, Locking	
2	0340047	2	Band, Motor (UL Spec Only)	
3 to 4	Not Used			
5	0641609	8	Bolt 3/8in-16NC x 1-1/8in	
6	Not Used			
7	0641826	4	Bolt 1/2in-13NC x 3-1/2in	
8	0682012	12	Bolt 5/8in-11NC x 1-1/2in(SN 0300113683 to SN 0300138358)	
9	0920113	2	Drive Brake Assembly	
	Use 0920113	2	Ring, Sensor (1 Per Assembly) (was p/n 7027275 which is no longer available. Replace Complete Brake.)	
	7007977	2	Ring, Bearing Retaining (Large) (1 per Assembly)	
	7011716	2	Ring, Bearing Retaining (Small) (1 per Assembly)	
	7007913	4	Bolt	
	7011757	2	Complete Repair Kit (Includes Case & Oil Seals, O-Rings, Back-Up Rings, Stator & Rotor Discs, Return Plate, Springs, Bearing & Brake to Hub Gasket) (1 per Assembly)	
	2900768	2	Bearing Kit (1 per Assembly)	
	7007900	2	Seal, Oil - Front (1 per Assembly)	
9A	7007933	2	Gasket (1 Per Assembly)	
9B	70002408	2	Gasket, Brake to Motor (1 Per Assembly) (Not Included in Repair Kit)	
10 to 13	Not Used			
14	2780282	2	Drive Hub Assembly (See Drive Hub Assembly for Breakdown)	
15	3020008	AR	Lubricant, Mobilube HD 80W-90	
16	3020037	AR	Lube, Coupling Grease	
17	3160237	2	Drive Motor Assembly (See Drive Motor Assembly for Breakdown)	
18 to 19	Not Used			
20	3990105	2	Speed Sensor Assembly	
21 to 22	Not Used			
23	4711600	8	Flatwasher 3/8in Thin	
24 to 28	Not Used			
29	4892000	12	Flatwasher 5/8in Hardened	
	0258986	Ref	TIRE AND WHEEL INSTALLATION	C
101	3300106	18	Lugnut	
102	1001110772	4	Tire & Wheel Assembly	

SECTION 1 FRAME

FIGURE 1-3. DRIVE HUB ASSEMBLY

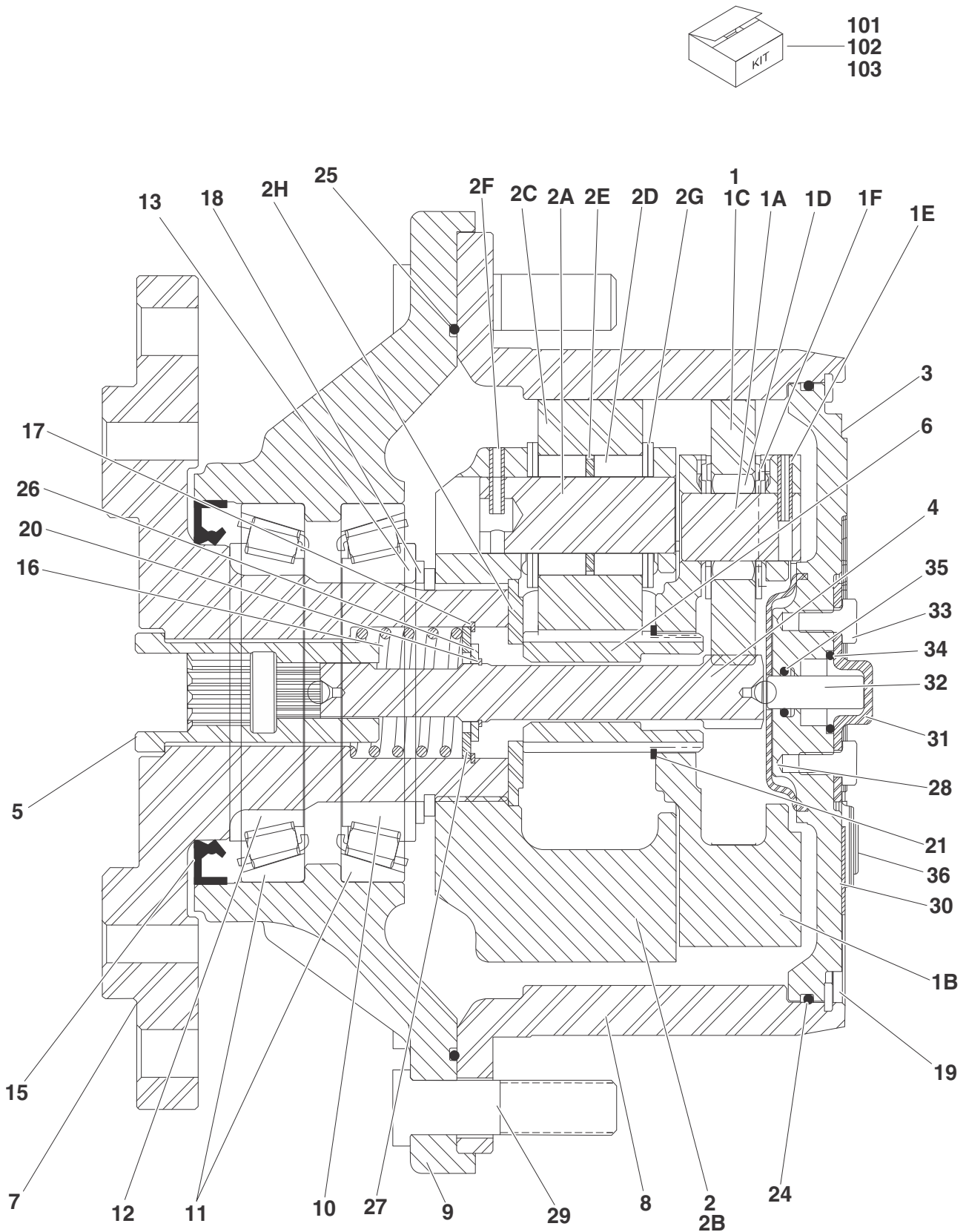


FIGURE 1-3. DRIVE HUB ASSEMBLY

ITEM #	PART NUMBER	QTY.	DESCRIPTION	REV.
	2780282	Ref	DRIVE HUB ASSEMBLY	A
1	70001366	1	Carrier, Sub Assembly (Purchase p/n 70001366 for items 1A-1F)	
1A	Use 70001366	3	Shaft, Planet	
1B	Use 70001366	1	Carrier	
1C	Use 70001366	3	Gear, Planet	
1D	Use 70001366	42	Bearing, Needle	
1E	Use 70001366	3	Pin, Roll	
1F	Use 70001366	6	Thrustwasher	
2	70001367	1	Carrier, Input (Purchase p/n 70001367 for items 2A-2H)	
2A	Use 70001367	3	Shaft, Planet	
2B	Use 70001367	1	Carrier	
2C	Use 70001367	3	Gear, Planet	
2D	Use 70001367	84	Bearing, Needle	
2E	Use 70001367	3	Spacer, Thrust	
2F	Use 70001367	3	Pin, Roll	
2G	Use 70001367	12	Thrustwasher	
2H	Use 70001367	1	Thrustwasher	
3	70001368	1	Cover	
4	70001369	1	Shaft, Input	
5	70001370	1	Coupling	
6	70001371	1	Shaft, Sun Gear	
7	70001372	1	Spindle	
8	70001373	1	Gear, Ring	
9	Use 2780282	1	Housing	
10	Use 7017007	1	Bearing, Tapered-Cone	
11	Use 7017007	2	Bearing, Tapered-Cup	
12	Use 7017007	1	Bearing, Tapered-Cone	
13	7017009	1	Thrustwasher	
14	Not Used			
15	Use 70001380	1	Seal, Lip	
16	70001374	1	Spring	
17	70001375	1	Ring, Retaining (Internal)	
18	Use 70001380	1	Ring, Retaining (External)	
19	7024738	1	Ring, Retaining (Internal)	
20	70001376	1	Ring, Retaining (External)	
21	70001377	1	Ring, Retaining (External)	
22	7000281	4	Screw (Not Shown - ID plate screws)	
23	7017022	3	Bolt, Flathead (Not Shown - Located on front of hub)	
24	Use 70001380	1	O-Ring	
25	Use 70001380	1	O-Ring	
26	70001378	1	Spacer, Thrust	
27	70001379	1	Thrustwasher	
28	7024741	1	Spacer, Thrust	
29	7007640	9	Stud, Wheel	
30	Use 70001368	1	Flange, Plate	
31	Use 70001368	1	Cap, Disengage	
32	Use 70001368	1	Pin, Dowel	
33	Use 70001368	2	Bolt	

SECTION 1 FRAME

FIGURE 1-3. DRIVE HUB ASSEMBLY (CONTINUED)

ITEM #	PART NUMBER	QTY.	DESCRIPTION	REV.
34	Use 70001368	1	O-Ring	
35	Use 70001368	1	O-Ring	
36	Use 70001368	1	Plug	
		Ref	KIT OPTIONS	
101	7017007	1	Planet Gear Bearing Kit (Includes Items 10-12)	
102	70001380	1	Planet Gear Seal Kit (Includes Items 15, 18, 24 & 25)	
103	70001368	1	Cap/Disengage Kit (Includes Items 30-36)	

FIGURE 1-3. DRIVE HUB ASSEMBLY (CONTINUED)

ITEM #	PART NUMBER	QTY.	DESCRIPTION	REV.

SECTION 1 FRAME

FIGURE 1-4. DRIVE MOTOR ASSEMBLY

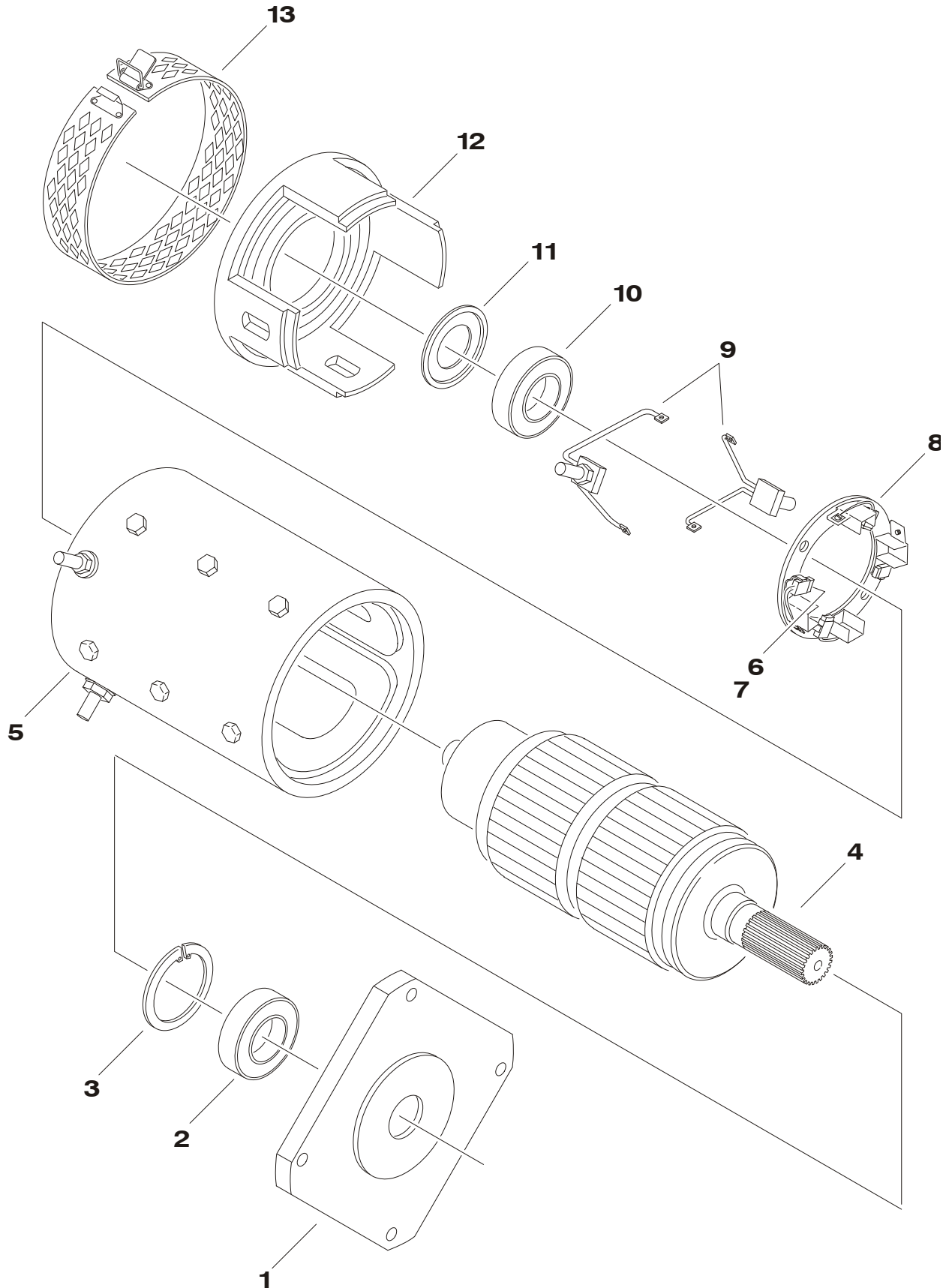


FIGURE 1-4. DRIVE MOTOR ASSEMBLY

ITEM #	PART NUMBER	QTY.	DESCRIPTION	REV.
	3160237	Ref	DRIVE MOTOR ASSEMBLY	E
1	7020184	1	Plate, Drive End	
2	7012545	1	Bearing	
3	7020185	1	Ring, Retaining	
4	Use 3160237	1	Armature	
5	Use 3160237	1	Frame & Field Assembly	
6	7012548	4	Spring, Brush	
7	7020149	4	Brush	
8	7020150	1	Holder, Brush	
9	7020151	2	Brush Lead Assembly Kit	
10	7012545	1	Bearing	
11	7012549	1	Washer, Wavy	
12	7020189	1	End, Commutator	
13	7019609	1	Headband Assembly	

SECTION 1 FRAME

FIGURE 1-5. ELECTRICAL COMPONENTS INSTALLATION (FRAME MOUNTED)

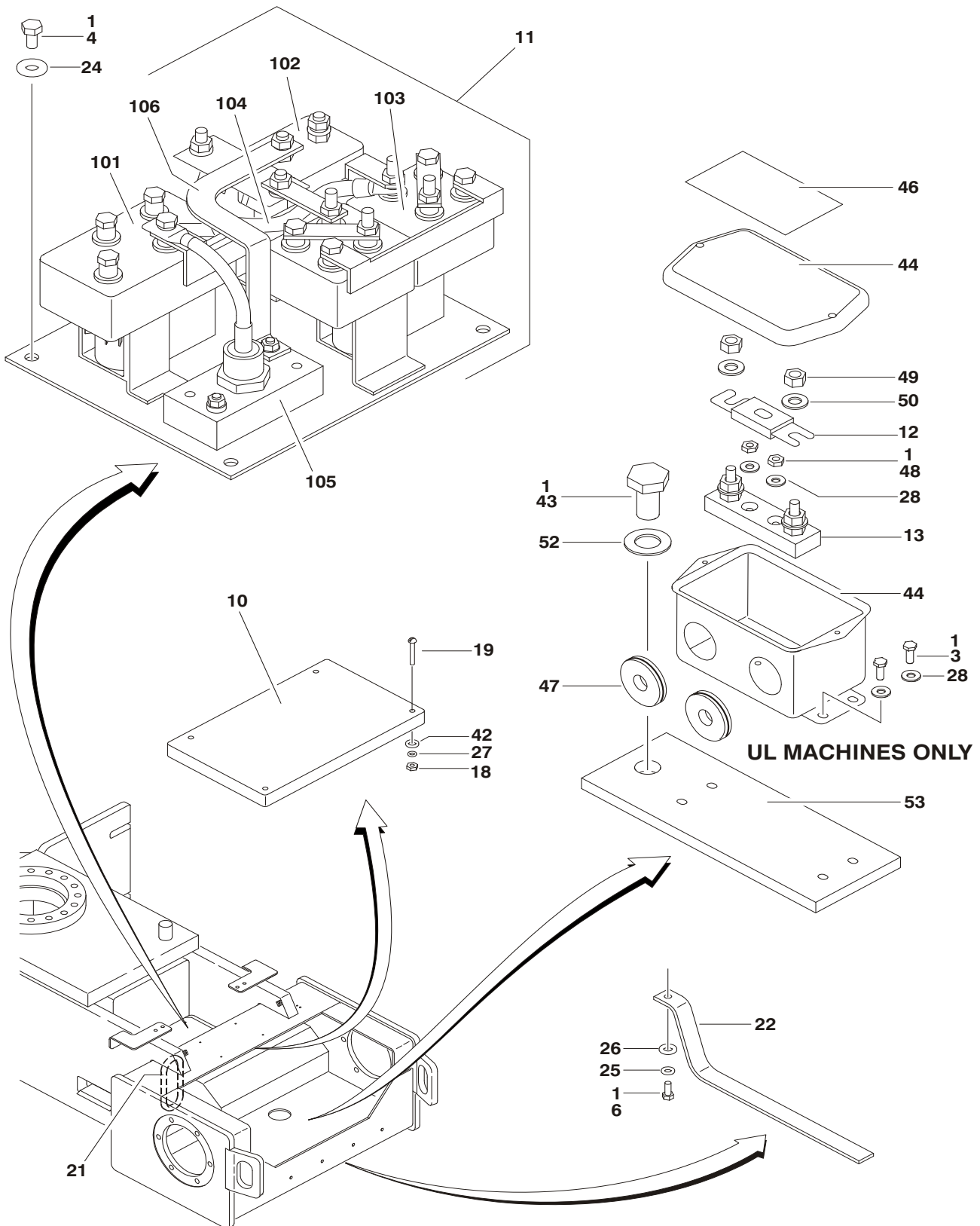


FIGURE 1-5. ELECTRICAL COMPONENTS INSTALLATION (FRAME MOUNTED)

ITEM #	PART NUMBER	QTY.	DESCRIPTION	REV.
		Ref	ELECTRICAL COMPONENTS INSTALLATION	
	1001109430	Ref	Standard Spec	F
	1001109431	Ref	UL Spec	H
1	0100019	AR	Compound, Locking	
2	Not Used			
3	0721003	2	Screw #10-24NC x 3/8in (UL Spec Only)	
4	0641504	4	Bolt 5/16in-18NC x 3/4in	
5	Not Used			
6	0641610	1	Bolt 3/8in-16NC x 1-1/4in	
7 to 9	Not Used			
10	1600293	1	Module (Note: Calibration is required when replaced)	
11		1	Contactor Plate Assembly Options (See Items 101 to 106 for Breakdown):	
	1600294		Standard Spec	
	1600300		UL Spec	
12	2400062	1	Fuse, 300 Amp (UL Spec Only)	
13	2400044	1	Holder, Fuse (UL Spec Only)	
14 to 17	Not Used			
18	3310601	4	Nut #6-32NC	
19	3910628	4	Screw #6-32NC x 1-3/4in	
20	Not Used			
21	4060807	14in/36cm	Shield, Flex Trim	
22	4240084	1	Strap, Anti-Static	
23	Not Used			
24	4751500	4	Flatwasher 5/16in Regular	
25	4751600	1	Flatwasher 3/8in Regular	
26	4752200	1	Flatwasher 3/4in Regular	
27	4760600	4	Lockwasher #6	
28	4751000	2	Flatwasher #10 Regular	
29 to 40	Not Used			
41		1	Drive Cable System Cables Options (Not Shown - See Section 7 for Breakdown):	
	2901818		Standard Spec	
	2901864		UL Spec	
42	4750600	4	Flatwasher #6 Regular	
43	0642208	1	Bolt 3/4in-10NC x 1in	
44	0861375	1	Box	
45	Not Used			
46	1704712	1	Decal - 300 Amp Fuse	
47	2540037	2	Grommet	
48	3311001	2	Nut #10-24NC	
49	3311501	2	Nut 5/16in-18NC	
50	4711500	4	Flatwasher 5/16in Thin	
51	Not Used			
52	4712200	1	Flatwasher 3/4in Thin	
53	1001116273	1	Bracket	

SECTION 1 FRAME

**FIGURE 1-5. ELECTRICAL COMPONENTS INSTALLATION (FRAME MOUNTED)
(CONTINUED)**

ITEM #	PART NUMBER	QTY.	DESCRIPTION	REV.
		Ref	CONTACTOR PLATE ASSEMBLY	
	1600294		Standard Spec	
	1600300		UL Spec	
		1	Harness, Contactor Options (Not Shown) (See Section 7 for Breakdown):	
	7022003		Standard Spec	
	7022008		UL Spec	
	7022004	1	Harness, Posi-Track Contactor (Not Shown) (See Section 7 for Breakdown)	
	7022005	1	Harness, Shunt (Not Shown) (See Section 7 for Breakdown)	
101		1	Contactor, FWD / REV Options:	
	7022002		Standard Spec	
	7022007		UL Spec	
102		1	Contactor, Main Options:	
	7022001		Standard Spec	
	7022009		UL Spec	
103		AR	Contactor, Posi-Track Options:	
	7022000	1	Standard Spec	
	7022010	2	UL Spec	
104	7022012	1	Cable, Power	
105	7022011	1	Diode, Power	
106	70001052	1	Shunt/Bus Bar with Harness Assembly	

**FIGURE 1-5. ELECTRICAL COMPONENTS INSTALLATION (FRAME MOUNTED)
(CONTINUED)**

ITEM #	PART NUMBER	QTY.	DESCRIPTION	REV.

SECTION 1 FRAME

FIGURE 1-6. BATTERY BOX INSTALLATION

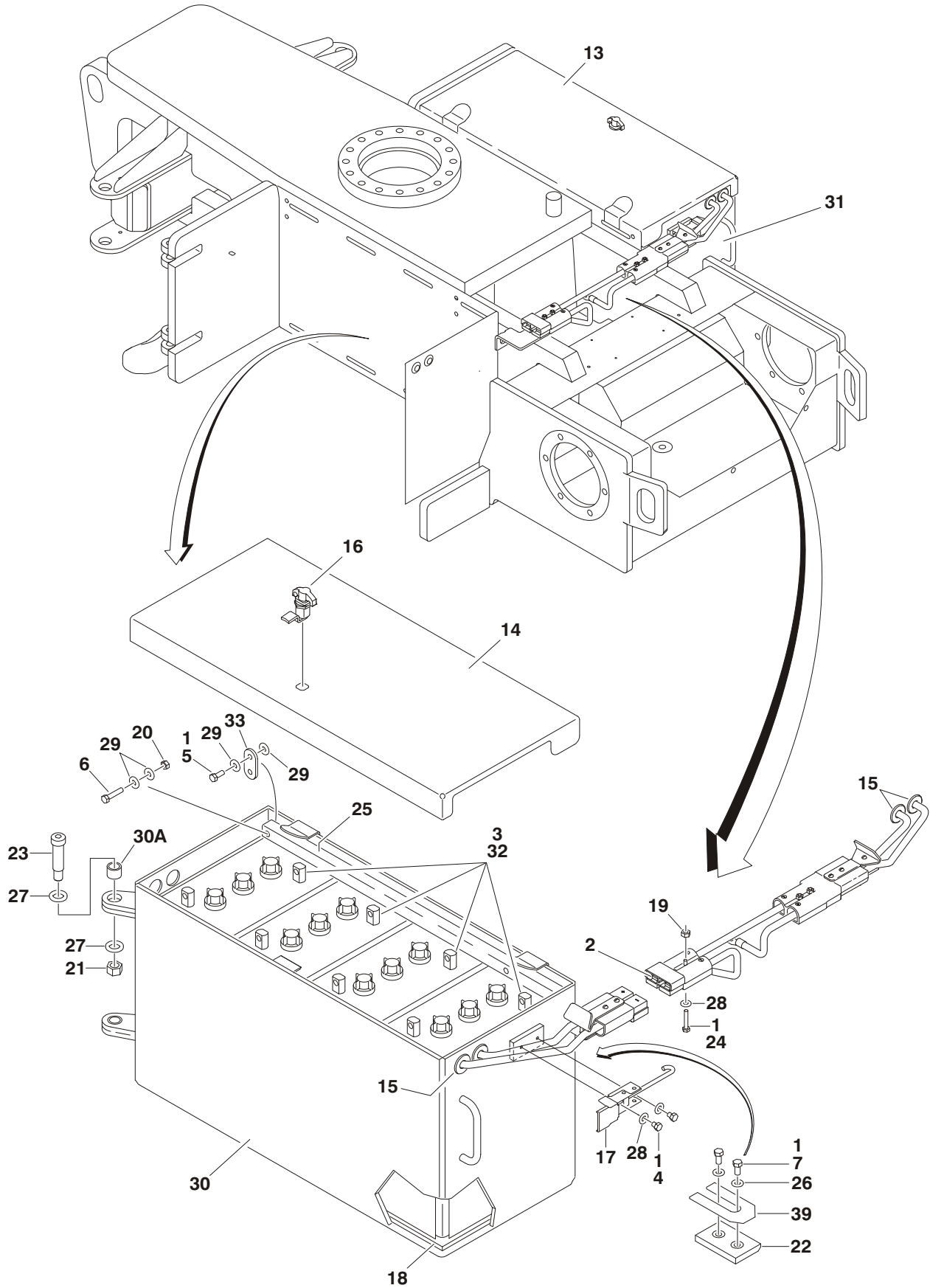


FIGURE 1-6. BATTERY BOX INSTALLATION

ITEM #	PART NUMBER	QTY.	DESCRIPTION	REV.
		Ref	BATTERIES INSTALLATION	
	1001108560	Ref	Machines with 305AH Batteries	B
	1001115997	Ref	Machines with 305AH AGM Batteries	A
	0259042	Ref	Machines with 375AH Batteries	J
1	0100011	AR	Compound, Locking	
2	0100048	AR	Grease, Dielectric	
3	0100051	AR	Grease, Battery Terminal	
4	0641403	4	Bolt 1/4in-20NC x 3/8in	
5	0641505	4	Bolt 5/16in-18NC x 5/8in (Machines with AGM Batteries Only)	
6		4	Bolt 5/16in-18NC Options:	
	0641512		Bolt 5/16in-18NC x 1-1/2in	
	0641514		Bolt 5/16in-18NC x 1-3/4in	
7	0641606	4	Bolt 3/8in-16NC x 3/4in	
8 to 12	Not Used			
13	1670878	1	Cover, (Right)	
14	1670890	1	Cover, (Left)	
15	2540020	4	Grommet	
16	2940073	2	Latch	
17	2940114	2	Latch	
18	3000003	2	Liner	
19	3311401	4	Nut 1/4in-20NC	
20	3311505	4	Locknut 5/16in-18NC (Machines with 305AH Batteries Only)	
21	3312005	4	Locknut 5/8in-11NC	
22	3340852	2	Pad	
23	3900266	4	Screw, Shoulder	
24	3931430	4	Bolt 1/4in-20NC x 1-7/8in	
25	4567739	2	Tube	
26	4711600	4	Flatwasher 3/8in Thin	
27	4740086	8	Thrustwasher	
28	4751400	8	Flatwasher 1/4in Regular	
29	4751500	AR	Flatwasher 5/16in Regular	
30	4845923	1	Box, Battery (Left)	
30A	0962233	2	Bushing	
31	4845924	1	Box, Battery (Right)	
31A	0962233	2	Bushing (Not Shown)	
32		8	Battery Options:	
	1001105091		Wet Battery (6V-305-S)	
	1001114782		Wet Battery (6V-305A-A AGM)	
	0400055		Wet Battery (6V-370-S)	
	See Note		Dry Battery (6V-305-S) (Note: Not Available for Purchase)	
	See Note		Dry Battery (6V-305A-A AGM) (Note: Not Available for Purchase)	
	0400107		Dry Battery (6V-370-S)	
33	1001116006	4	Bracket (Machines with AGM Batteries Only)	
34 to 38	Not Used			
39	4070904	2	Shim	

SECTION 1 FRAME

FIGURE 1-7. FRAME COVERS INSTALLATION

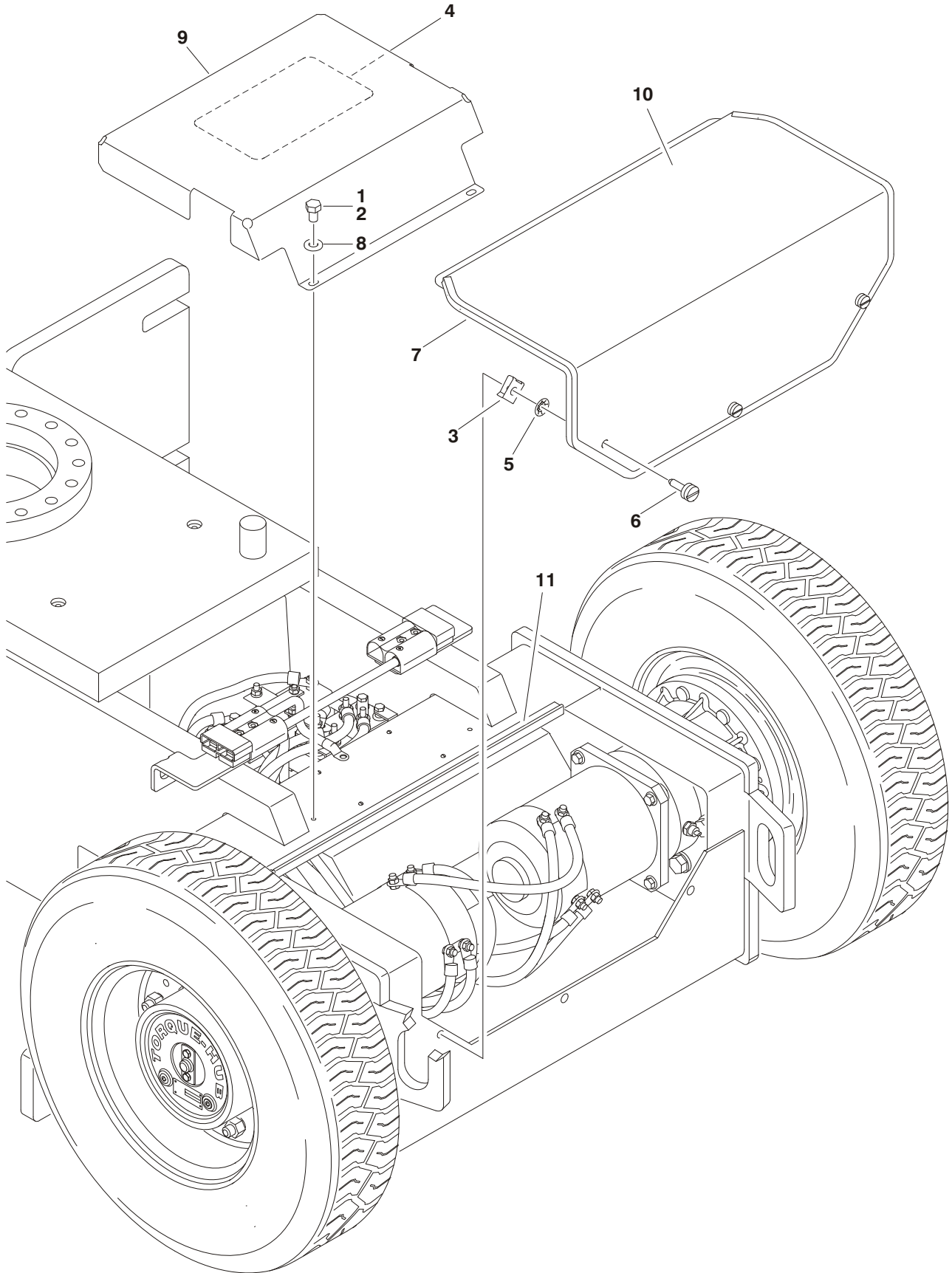


FIGURE 1-7. FRAME COVERS INSTALLATION

ITEM #	PART NUMBER	QTY.	DESCRIPTION	REV.
	1001109383	Ref	FRAME COVERS INSTALLATION	C
1	0100011	AR	Compound, Locking	
2	0641504	2	Bolt 5/16in-18NC x 1/2in	
3	1380138	3	Nut, Clip	
4	1704246	1	Decal - Cable Routing	
5	3760308	3	Retainer	
6	1001112496	3	Thumbscrew	
7	3960447	63in/1.6m	Seal	
8	4711500	2	Flatwasher 5/16in Thin	
9	1001107751	1	Cover, Contactor	
10	1001108251	1	Cover, Rear Axle	
11	3960389	2ft/.6m	Seal	

SECTION 1 FRAME

FIGURE 1-8. INVERTER INSTALLATION (OPTIONAL)

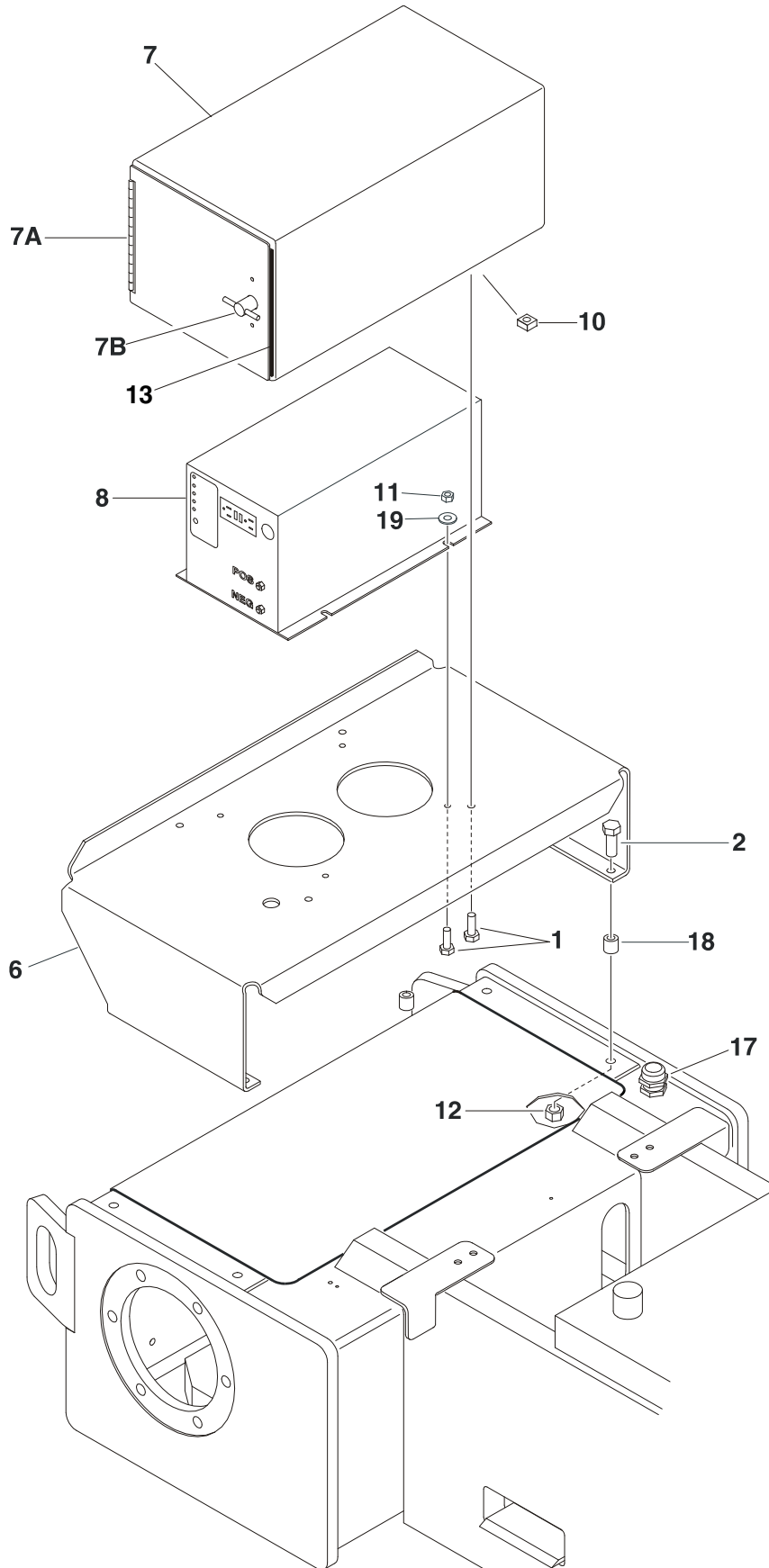


FIGURE 1-8. INVERTER INSTALLATION (OPTIONAL)

ITEM #	PART NUMBER	QTY.	DESCRIPTION	REV.
	1001110271	Ref	INVERTER INSTALLATION	B
1	0641406	8	Bolt 1/4in-20NC x 3/4in	
2	0641618	4	Bolt 3/8in-16NC x 2-1/4in	
3 to 5	Not Used			
6	1271463	1	Channel, Mounting	
7	1670953	1	Cover	
7A	2600103	1	Hinge (Welded on Part)	
7B	2940048	1	Latch	
8	2460037	1	Inverter/Generator Assembly	
9	Not Used			
10	3300353	4	Nut, Tinnerman	
11	3311405	4	Locknut 1/4in-20NC	
12	3311605	4	Locknut 3/8in-16NC	
13	4060803	8.5in/21cm	Flex-Trim	
14 to 16	Not Used			
17	4460426	1	Connector, Strain Relief	
18	4568165	4	Spacer, Tube	
19	4751400	4	Flatwasher 1/4in Regular	

SECTION 1 FRAME

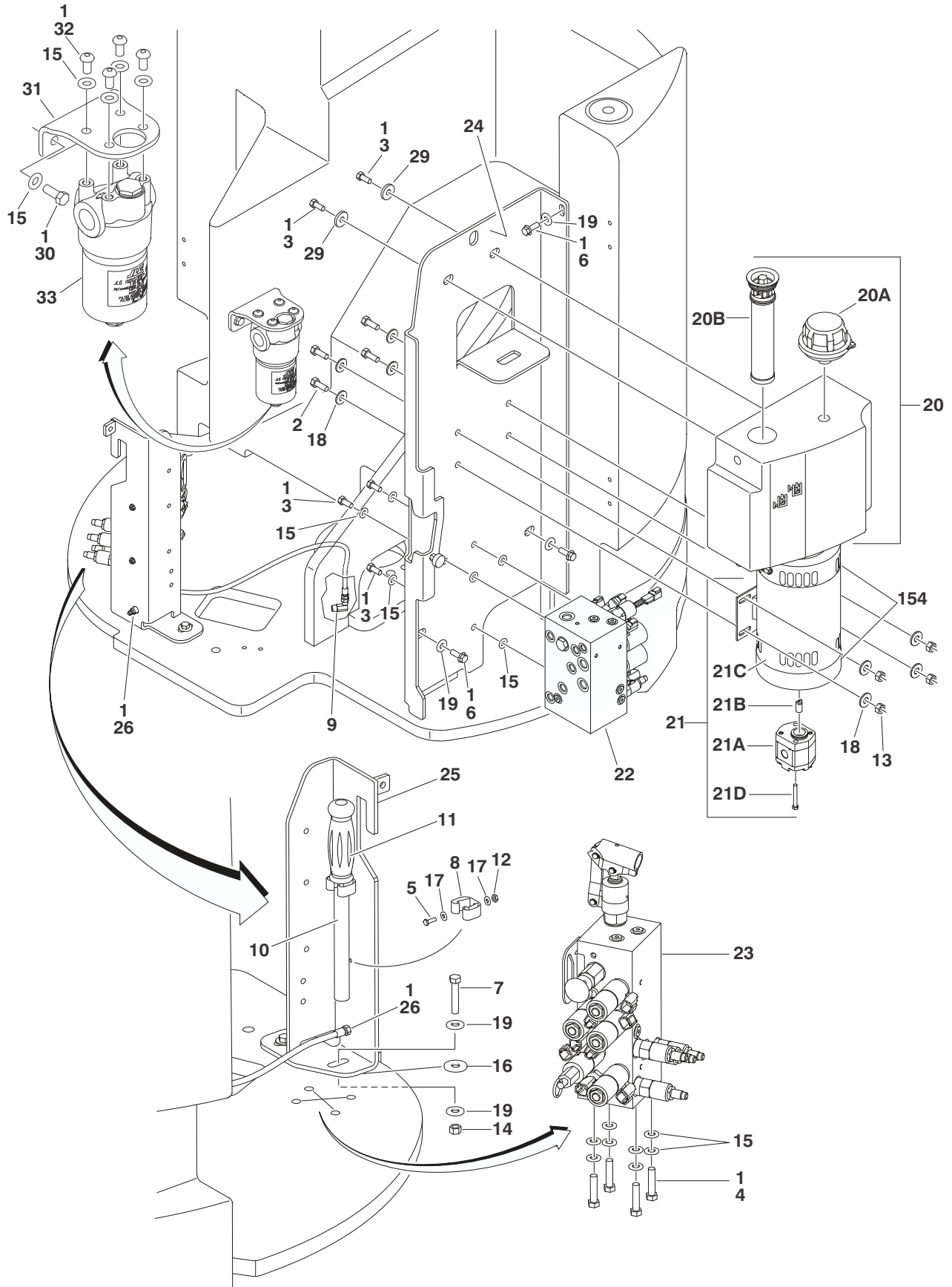
FIGURE 1-8. INVERTER INSTALLATION (OPTIONAL) (CONTINUED)

ITEM #	PART NUMBER	QTY.	DESCRIPTION	REV.

SECTION 2 TURNTABLE

SECTION 2 TURNTABLE

FIGURE 2-1. CONTROL VALVES & TANK/MOTOR INSTALLATIONS



SECTION 2 TURNTABLE

FIGURE 2-1. CONTROL VALVES & TANK/MOTOR INSTALLATIONS

ITEM #	PART NUMBER	QTY.	DESCRIPTION	REV.
		Ref	VALVES & TANK/MOTOR INSTALLATION	
	1001110248	Ref	E300AJ	G
	1001109122	Ref	E300AJP	G
1	0100011	AR	Compound, Locking	
2	0641507	4	Bolt 5/16in-18NC x 7/8in	
3	0641607	5	Bolt 3/8in-16NC x 7/8in	
4	0641613	4	Bolt 3/8in-16NC x 1-5/8in	
5	0721005	2	Screw #10-24NC x 5/8in	
6	0811608	4	Screw 3/8in-16NC x 1in	
7	0641616	4	Bolt 3/8in-16NC x 2in	
8	1380136	2	Clip, Gripper	
9		1	Fitting Options: 90 Elbow (SN 0300138358 to SN 0300177037) 45 Elbow (SN 0300177037 to Present)	
10	2220063			
	2220124			
11	2560122	1	Handle	
12	1001114761	1	Grip, Handle	
13	3311005	2	Locknut #10-24NC	
14	3311505	4	Locknut 5/16in-18NC	
15	3311605	2	Locknut 3/8in-16NC	
16	4711600	AR	Flatwasher 3/8in Thin	
17	4740393	2	Flatwasher, Special	
18	4751000	4	Flatwasher #10 Regular	
19	4751500	8	Flatwasher 5/16in Regular	
20	4751600	7	Flatwasher 3/8in Regular	
20A	1001109126	1	Hydraulic Tank Assembly	
20B	70002526	1	Breather	
21	70002525	1	Filter	
21A		1	Hydraulic Motor/Pump Assembly Options: SN 0300138358 to SN 0300177037 (was p/n 1001109127) SN 0300177037 to Present	
	Use 3600302			
	1001157601			
		Ref	Note: When replacing pump or motor/pump assembly, refer to the Service Manual for initial pump start up procedure.	
		Ref	Note: Original Equipment p/n 1001109127 may have been replaced with Service Replacement p/n 3600302. Visually identify component before ordering parts.	
		1	Pump	
	70002521		Motor/Pump Assembly p/n 1001109127	
	7021319		Motor/Pump Assembly p/n 3600302	
	1001154537		Motor/Pump Assembly p/n 1001157601	
		1	Seal Kit - Pump	
	Use 70002521		Motor/Pump Assembly p/n 1001109127 (Note: Shaft Seal is Only Seal Available)	
	7021377		Motor/Pump Assembly p/n 3600302	
	See Note		Motor/Pump Assembly p/n 1001157601 (Note: Not Available for Purchase)	
		1	Seal, Shaft	
	70001961		Motor/Pump Assembly p/n 1001109127	
	7022526		Motor/Pump Assembly p/n 3600302	
	See Note		Motor/Pump Assembly p/n 1001157601 (Note: Not Available for Purchase)	

SECTION 2 TURNTABLE

FIGURE 2-1. CONTROL VALVES & TANK/MOTOR INSTALLATIONS (CONTINUED)

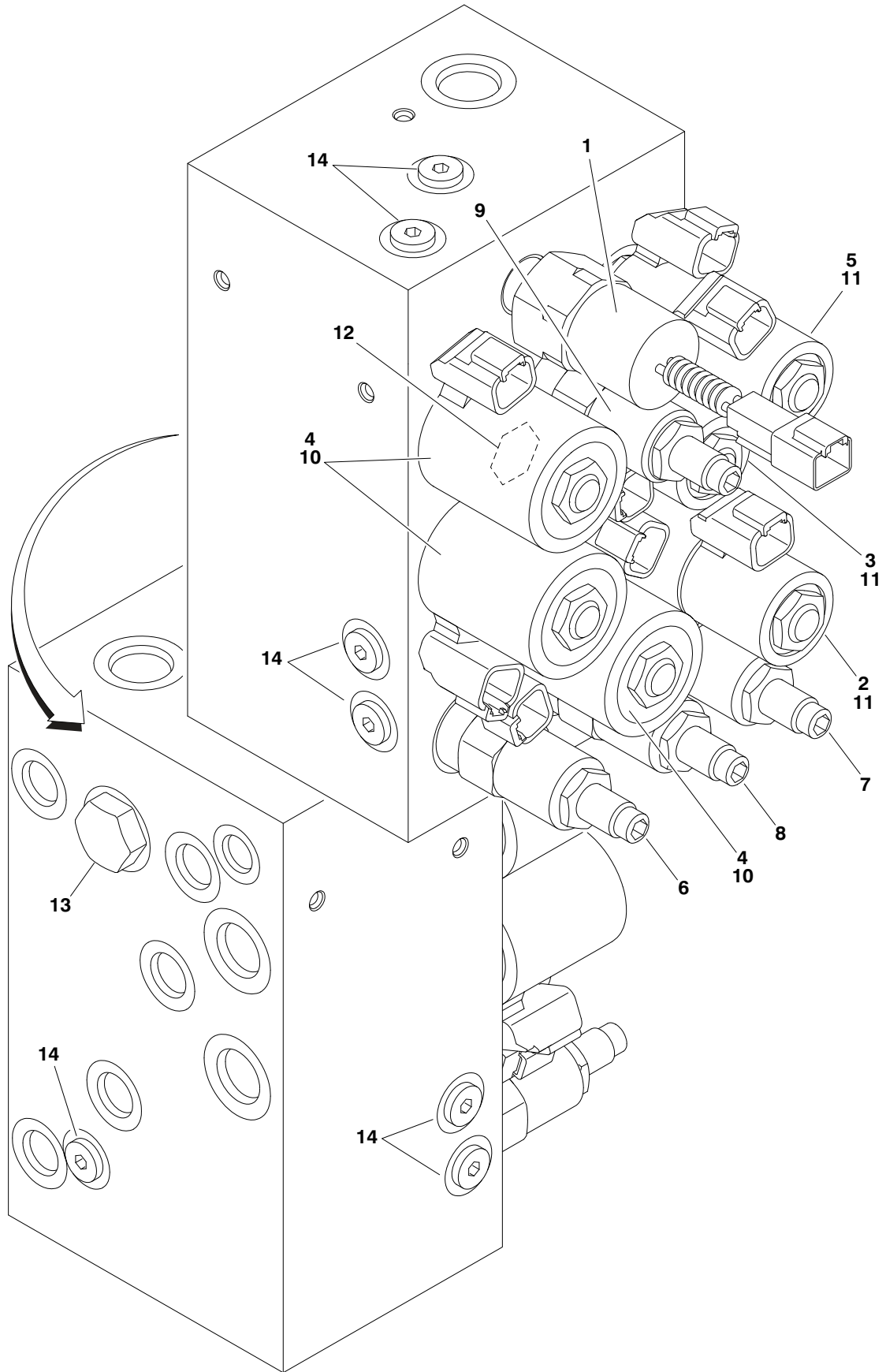
ITEM #	PART NUMBER	QTY.	DESCRIPTION	REV.
21B	70002523	1	Coupling	
	7021367		Motor/Pump Assembly p/n 1001109127	
	1001159059		Motor/Pump Assembly p/n 3600302	
			Motor/Pump Assembly p/n 1001157601	
21C	70002522	1	Motor	
	7021360		Motor/Pump Assembly p/n 1001109127	
	1001154539		Motor/Pump Assembly p/n 3600302	
			Motor/Pump Assembly p/n 1001157601	
		1	Brush Kit	
	7021361		Motor/Pump Assembly p/n 1001109127	
	7021361		Motor/Pump Assembly p/n 3600302	
	70004312		Motor/Pump Assembly p/n 1001157601	
21D		AR	Bolt	
	70002524	2	Bolt M8 x 70mm (Motor/Pump Assembly p/n 1001109127)	
	See Note	2	Bolt 5/16in x 18NC (Motor/Pump Assembly p/n 3600302)	
			(Note: Not Available for Purchase)	
	See Note	4	Bolt 5/16in x 18NC (Motor/Pump Assembly p/n 1001157601) (Note: Not Available for Purchase)	
22	1001109445	1	Main Control Valve Assembly (See Main Control Valve Assembly for Breakdown)	
23		1	Boom Function Control Valve Assembly (See Boom Function Valve Assembly for Breakdown)	
	1001109447		E300AJ	
	1001109446		E300AJP	
24	1001109427	1	Plate, Main Valve/Tank/Motor Mounting	
25	1001109929	1	Bracket, Hood Latch	
26	1001109939	1	Hose, Remote T/T Bearing Grease (Includes Grease Fitting)	
27 to 28	Not Used			
29	4740308	2	Flatwasher, Special	
30	0641608	2	Bolt 3/8in-16NC x 1in (SN 0300179561 to Present)	
31	0903530	1	Bracket, Mounting (SN 0300179561 to Present)	
32	3900283	4	Screw 3/8in-16NC x 3/4in (SN 0300179561 to Present)	
33	1001162882	1	Filter, High Pressure (SN 0300179561 to Present)	
	70004228	1	Element, Filter	
101to 153	1001109431	Ref	WHEEL DRIVE INSTALLATION (UL Spec Only)	H
	Not Used			
154	0340048	1	Band Kit, Pump Motor (SN 0300142712 to Present)	

FIGURE 2-1. CONTROL VALVES & TANK/MOTOR INSTALLATIONS (CONTINUED)

ITEM #	PART NUMBER	QTY.	DESCRIPTION	REV.

SECTION 2 TURNTABLE

FIGURE 2-2. MAIN CONTROL VALVE ASSEMBLY



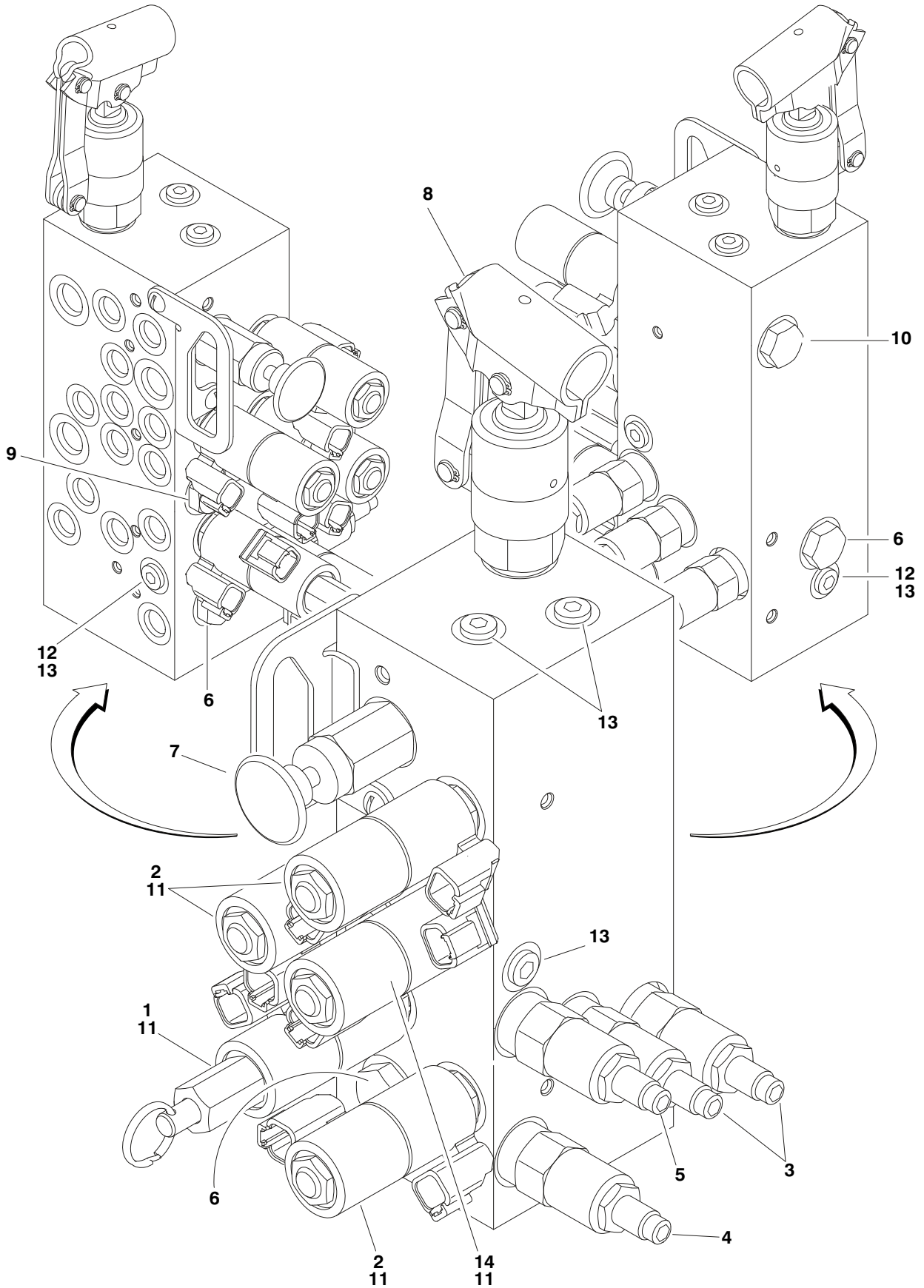
SECTION 2 TURNTABLE

FIGURE 2-2. MAIN CONTROL VALVE ASSEMBLY

ITEM #	PART NUMBER	QTY.	DESCRIPTION	REV.
	1001109445	Ref	MAIN CONTROL VALVE ASSEMBLY	E
1	70002400	1	Switch, Pressure (Brake)	
2	7017433	1	Cartridge, Solenoid Valve (Steer Direction)	
	7017402	1	Seal Kit - 7017433 Cartridge	
3	7012941	1	Cartridge, Solenoid Valve (Brake)	
	7010543	1	Seal Kit - 7012941 Cartridge	
4	70002401	3	Cartridge, Solenoid (Flow Control/Main & Tower Lift Dump)	
	7017496	3	Seal Kit - 70002401 Cartridge	
5	70002402	1	Cartridge, Solenoid (Swing)	
	7017402	1	Seal Kit - 70002402 Cartridge	
6	70002403	1	Cartridge, Relief Valve (Main)	
	7012972	1	Seal Kit - 70002403 Cartridge	
7	7017489	1	Cartridge, Relief Valve (Steer)	
	7012998	1	Seal Kit - 7017489 Cartridge	
8	7017488	1	Cartridge, Relief Valve (Steer)	
	7012998	1	Seal Kit - 7017488 Cartridge	
9	70002404	1	Cartridge, Relief Valve (Swing)	
	7012998	1	Seal Kit - 70002404 Cartridge	
10	7024883	3	Coil	
11	7024885	5	Coil	
12	7022391	1	Cartridge, Check Valve (Brake)	
	7012967	1	Seal Kit - 7022391 Cartridge	
13	7010542	1	Cartridge, Load Shuttle (Swing)	
	7010543	1	Seal Kit - 7010542 Cartridge	
14	7017406	AR	Plug	

SECTION 2 TURNTABLE

FIGURE 2-3. BOOM FUNCTION VALVE ASSEMBLY



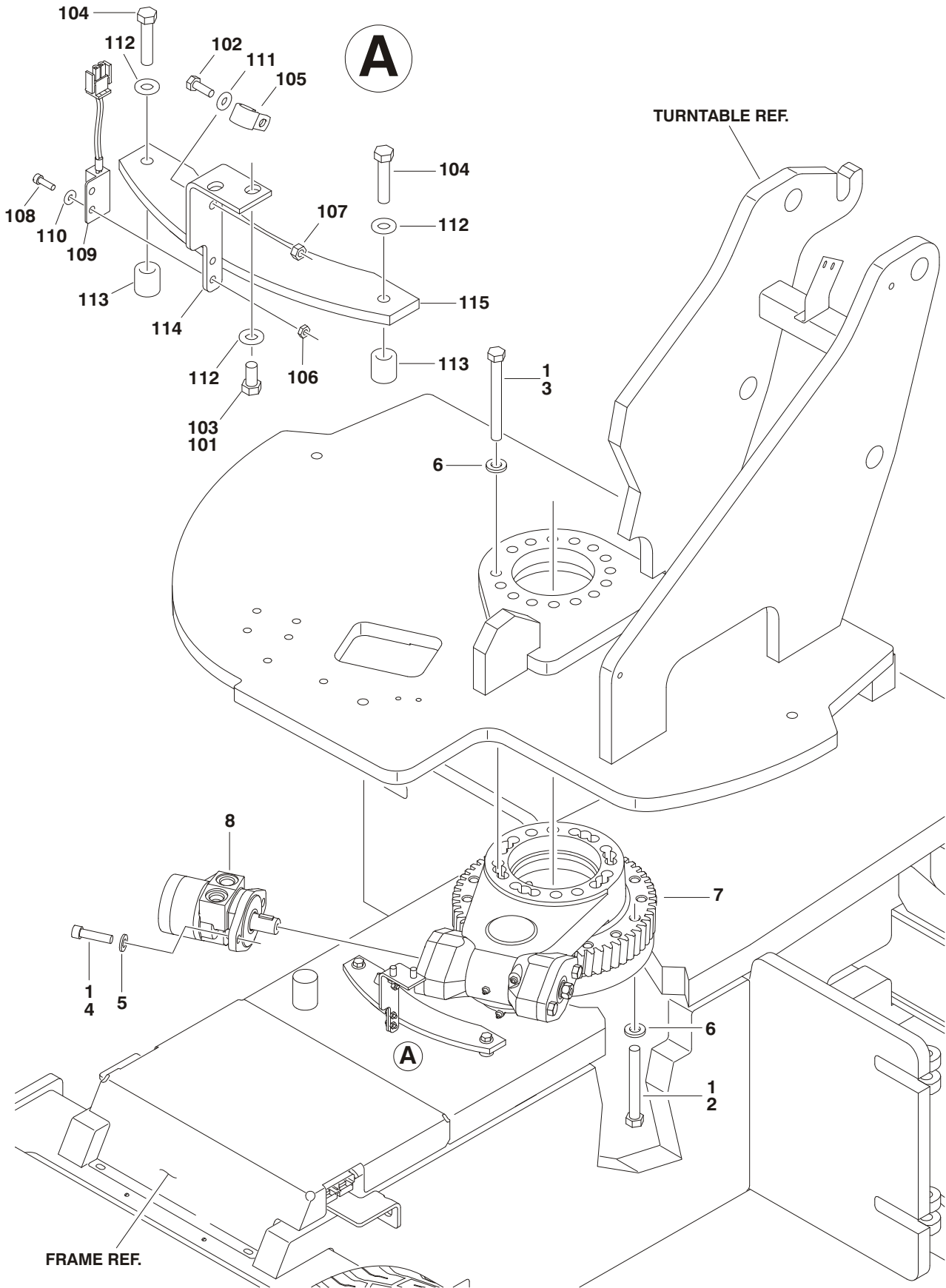
SECTION 2 TURNTABLE

FIGURE 2-3. BOOM FUNCTION VALVE ASSEMBLY

ITEM #	PART NUMBER	QTY.	DESCRIPTION	REV.
		Ref	BOOM FUNCTION VALVE ASSEMBLY	
	1001109447	Ref	E300AJ	D
	1001109446	Ref	E300AJP	D
1	70002405	1	Cartridge, Solenoid (Jib Lift)	
	7017402	1	Seal Kit - 70002405 Cartridge	
2	7017452	3	Cartridge, Solenoid Valve (Telescope/Platform Rotate/Platform Level & Master)	
	7017402	3	Seal Kit - 7017452 Cartridge	
3	7017421	2	Cartridge, Relief Valve (Jib Lift/Platform Level & Master)	
	7012998	2	Seal Kit - 7017421 Cartridge	
4	7017418	1	Cartridge, Relief Valve (Platform Level & Master)	
	7012998	1	Seal Kit - 7017418 Cartridge	
5	7017489	1	Cartridge, Relief Valve (Jib Lift)	
	7012998	1	Seal Kit - 7017489 Cartridge	
6	7012914	2	Cartridge, Pressure Control Valve	
	7012918	2	Seal Kit - 7012914 Cartridge	
7	70002406	1	Cartridge, Manual Control Valve	
	7012904	1	Seal Kit - 70002406 Cartridge	
	7012959	1	Knob	
8	Use 70004019	1	Cartridge, Hand Pump Valve (was p/n 7012694)	
	7017496	1	Seal Kit - 7012694 Cartridge	
	2900756	1	Seal Kit - 70004019 Cartridge	
9	7022391	1	Cartridge, Check Valve	
	7012967	1	Seal Kit - 7022391 Cartridge	
10	4641129	1	Cartridge, Check Valve	
	7012540	1	Seal Kit - 4641129 Cartridge	
11	7024885	10	Coil	
12	70003528	2	Orifice	
13	701706	8	Plug	
14		AR	Cartridge Options:	
			E300AJ uses:	
	7017471	1	Cartridge	
	Use 7017471	1	Seal Kit - 7017471 Cartridge	
			(Note: Not Available for Purchase)	
			E300AJP uses:	
	7017452	1	Cartridge, Solenoid (Jib Rotate)	
	7017402	1	Seal Kit - 7017452 Cartridge	

SECTION 2 TURNTABLE

FIGURE 2-4. TURNTABLE AND SWING DRIVE INSTALLATION



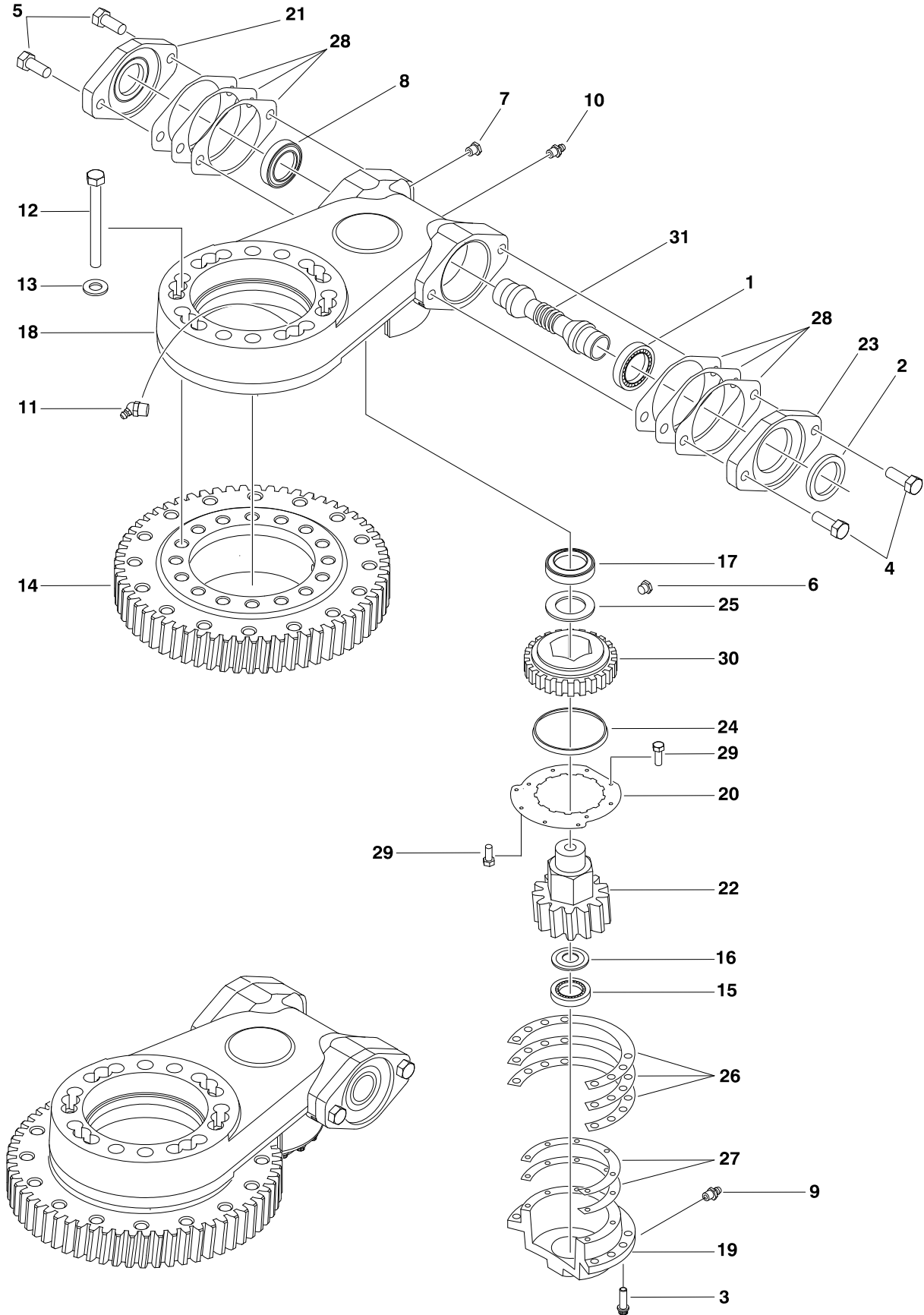
SECTION 2 TURNTABLE

FIGURE 2-4. TURNTABLE AND SWING DRIVE INSTALLATION

ITEM #	PART NUMBER	QTY.	DESCRIPTION	REV.
		Ref	Note: See Control Valves & Tank/Motor Installations for Remote Bearing Lube Components.	
		Ref	SWING DRIVE INSTALLATIONS	
	1001107650	Ref	Swing Drive (DOHI)	C
	1001153362	Ref	Swing Drive (JING WEI)	A
1	0100019	AR	Compound, Locking	
2	0682040	16	Bolt 5/8in-11NC x 5in (Grade 8)	
3	0682048	15	Bolt 5/8in-11NC x 6in (Grade 8)	
4	3931832	2	Capscrew 1/2in-13NC x 2in	
5	4740171	2	Flatwasher, Special	
6	4892000	31	Flatwasher 5/8in Hardened	
7		1	Turntable Bearing Assembly Options (See Turntable Bearing Assembly for Breakdown):	
	1001103646		Turntable Bearing (DOHI)	
	1001153013		Turntable Bearing (JING WEI)	
8	1001107781	1	Swing Motor Assembly (See Swing Motor Assembly for Breakdown)	
	1001107820	Ref	DRIVE ORIENTATION INSTALLATION	C
101	0100011	AR	Compound, Locking	
102	0641406	1	Bolt 1/4in-20NC x 3/4in	
103	0641606	2	Bolt 3/8in-161NC x 3/4in	
104		2	Bolt Options:	
	0641614		Bolt 3/8in-161NC x 1 3/4in (SN 0300138358 to SN 0300138863)	
	0641616		Bolt 3/8in-161NC x 2in (SN 0300138863 to Present)	
105	1320041	1	Clamp	
106	3311005	2	Locknut #10-24NC	
107	3311405	1	Locknut 1/4in-20NC	
108	3931010	2	Capscrew #10-24NC x 5/8in	
109	4360517	1	Switch, Proximity	
110	4711000	2	Flatwasher #10 Thin	
	4740120	2	Flatwasher, Nylon	
111	4711400	1	Flatwasher 1/4in Thin	
112	4711600	4	Flatwasher 3/8in Thin	
113		2	Spacer Options:	
	7116691		SN 0300138358 to SN 0300138863	
	1001114757		SN 0300138863 to Present	
114	1001102527	1	Bracket, Switch Mounting	
115	1001108274	1	Cam	

SECTION 2 TURNTABLE

FIGURE 2-5. TURNTABLE BEARING ASSEMBLY



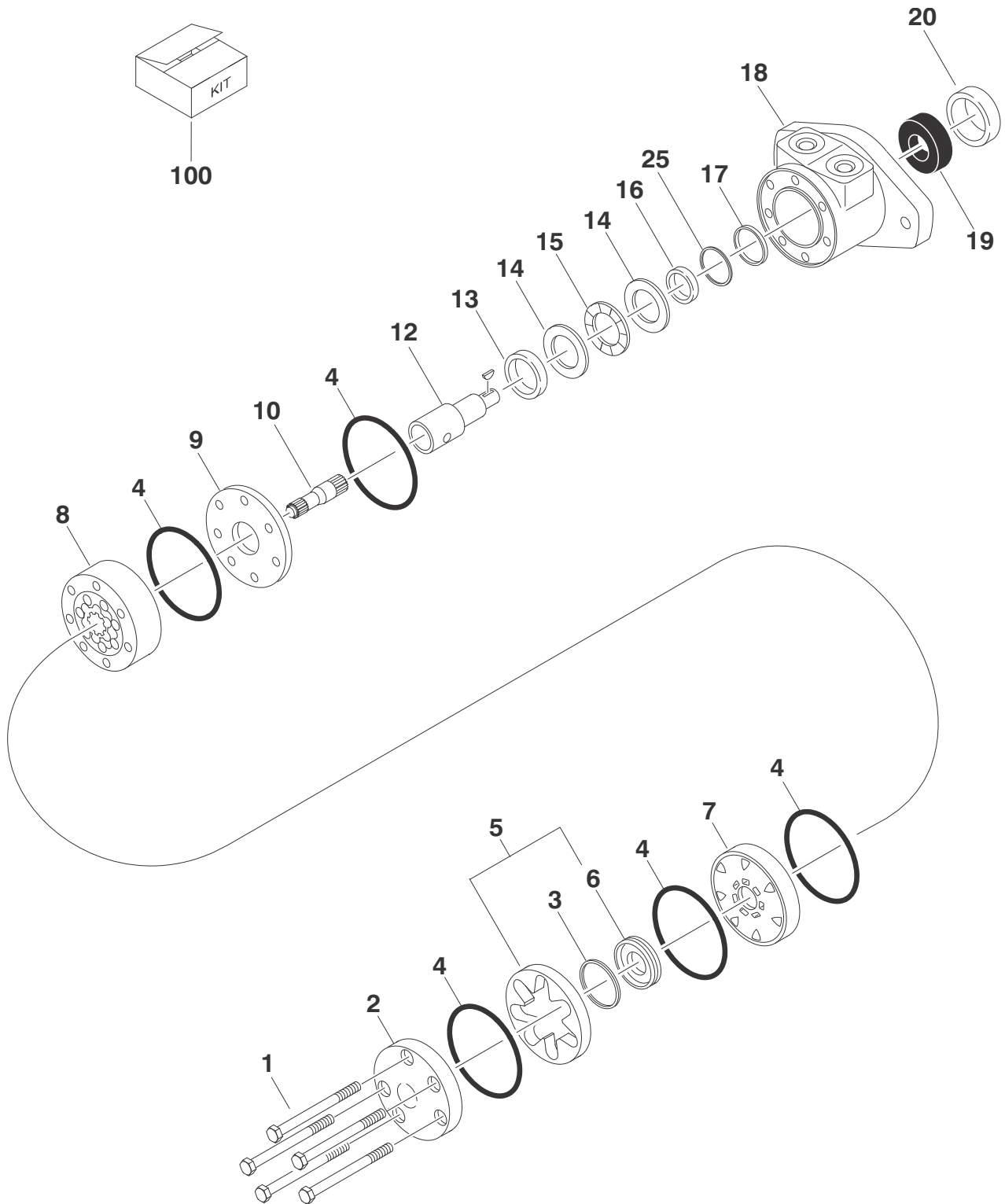
SECTION 2 TURNTABLE

FIGURE 2-5. TURNTABLE BEARING ASSEMBLY

ITEM #	PART NUMBER	QTY.	DESCRIPTION	REV.
		Ref	TURNTABLE BEARING ASSEMBLIES	
	1001103646	Ref	Turntable Bearing (DOHI)	F
	1001153013	Ref	Turntable Bearing (JING WEI)	B
1	70002643	2	Cup, Bearing	
	70002644	2	Cone, Bearing	
2	70002645	1	Seal	
3	70002646	8	Bolt 5/16in-18NC x 7/8in	
4	70002647	2	Bolt 1/2in-13NC x 1in	
5	70002648	2	Bolt 1/2in-13NC x 1-1/4in	
6	70000865	1	Plug	
7	70002649	1	Vent, Pressure	
8	70002650	1	Seal	
9	70002651	1	Fitting, Grease 1/4in	
10			Component Options:	
	70002652	1	Fitting, Grease 1/8in Straight	
	See Note		Plug, Pipe (Note: Not Available - Purchase Locally)	
11	7027359	1	Fitting, Elbow	
12	70002653	2	Capscrew 5/16in-18NC x 1-1/4in	
13	70002654	2	Flatwasher 1/4in Hardened	
14		1	Ring Gear Kit Options (Kit Includes Ring Gear & Mounting Hardware):	
	Use 1001143933		DOHI (was p/n 70002655)	
	70004160		JING WEI	
15	70002656	1	Cup, Bearing	
	70002657	1	Cone, Bearing	
16	70002658	1	Ring, Grease	
17	7026048	1	Cup, Bearing	
	7026049	1	Cone, Bearing	
18	Use 1001103646	1	Housing	
19	70002659	1	Cap, Gear	
20	70002660	1	Plate, Cover	
21	70002661	1	Cap, Worm	
22	70002662	1	Pinion, Output	
23	70002663	1	Adapter, Motor	
24	70002664	1	Seal, Face	
25	7026052	1	Spacer, Washer	
26	70002665	1	Shim .0075 Natural	
	70002666	1	Shim .005 Blue	
	70002667	1	Shim .003 Green	
27	70002668	1	Shim .005 Blue	
	70002669	1	Shim .020 Yellow	
28	7027352	1	Gasket .010 Brown	
	7027351	1	Gasket .0075 Clear	
	7027350	1	Gasket .005 Blue	
	7027353	1	Gasket .020 Yellow	
29	70000681	10	Bolt, Flange #6-32NC x 3/8in	
30	70002670	1	Gear, Worm	
31	70002671	1	Shaft, Worm	

SECTION 2 TURNTABLE

FIGURE 2-6. SWING MOTOR ASSEMBLY



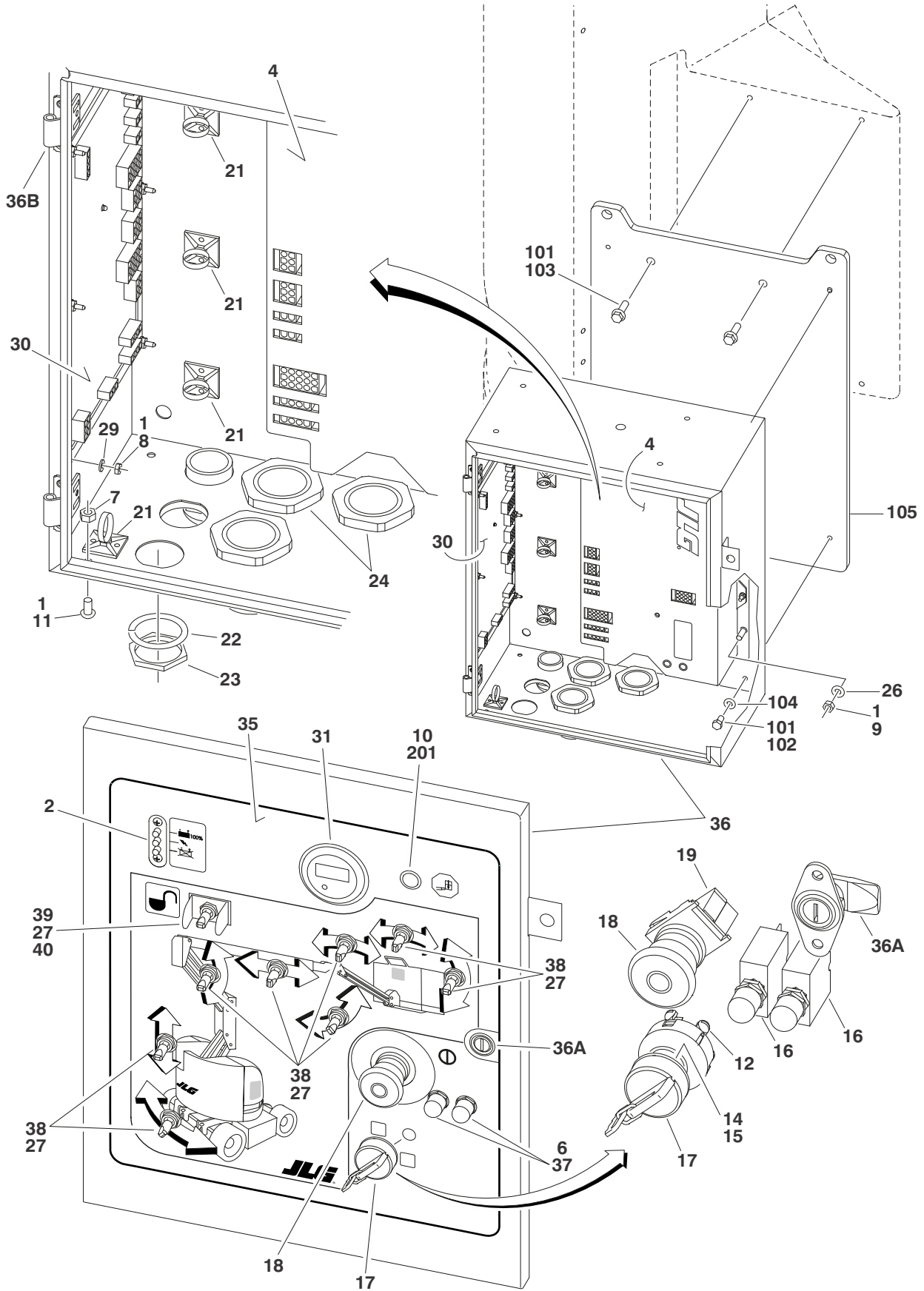
SECTION 2 TURNTABLE

FIGURE 2-6. SWING MOTOR ASSEMBLY

ITEM #	PART NUMBER	QTY.	DESCRIPTION	REV.
	1001107781	Ref	SWING MOTOR ASSEMBLY (PARKER)	A
1	70002311	5	Bolt	
2	7004035	1	Cover, End	
3	Use Item 100	1	Seal, Commutator	
4	Use Item 100	5	Seal, Ring	
5	7024453	1	Commutator and Ring Assembly	
6	7024453	1	Ring	
7	7024379	1	Manifold	
8	70002312	1	Rotor Set	
9	7024380	1	Plate, Wear	
10	70002313	1	Link, Drive	
11	Not Used			
12	70000088	1	Shaft, Coupling	
	70000089	1	Key, Woodruff	
13	7024381	1	Bushing, Bronze	
14	7004043	2	Thrustwasher	
15	7004044	1	Bearing, Thrust	
16	Use Item 100	1	Seal, Inner	
17	Use Item 100	1	Washer, Back-up	
18	Not Available	1	Housing	
19	7024390	1	Bearing	
20	Use Item 100	1	Seal	
21 to 24	Not Used			
25	Use Item 100	1	Washer, Backup	
100	7024389	1	----- Seal Kit (Includes Items 3, 4, 16,17, 20 & 25)	

SECTION 2 TURNTABLE

FIGURE 2-7. GROUND CONTROL BOX ASSEMBLY



SECTION 2 TURNTABLE

FIGURE 2-7. GROUND CONTROL BOX ASSEMBLY

ITEM #	PART NUMBER	QTY.	DESCRIPTION	REV.
		Ref	GROUND CONTROL BOX ASSEMBLIES	
	1001108823	Ref	E300AJ (ANSI, ANSI Export & UL Specs)	F
	1001108824	Ref	E300AJ (Australian Spec - Prior to SN 0300149146)	E
	1001108823	Ref	E300AJ (Australian Spec - SN 0300149146 to Present)	F
	1001108824	Ref	E300AJ (CE Spec)	E
	1001108825	Ref	E300AJP (ANSI, ANSI Export & UL Specs)	E
	1001108826	Ref	E300AJP (Australian Spec - Prior to SN 0300149146)	E
	1001108825	Ref	E300AJP (Australian Spec - SN 0300149146 to Present)	E
	1001108826	Ref	E300AJP (CE Spec)	E
1	0100035	AR	Compound, Locking	
2	0610131	1	LED, Battery Charger	
3	1060757	1	Cable, Battery Cable (Not Shown - Section 7 for Location)	
4	1001112779	1	Module, Power (Re-calibration Required when Replaced)	
5	Not Used			
6	3300396	2	Cover, Fuse	
7	3311401	1	Nut 1/4in-20NC	
8	3310601	6	Nut #6-32NC	
9	3311501	6	Nut 5/16in-18NC	
10	3520028	2	Plug, Hole	
11	3911408	1	Screw 1/4in-20NC x 1/2in	
12	3910804	6	Screw #8-32NC x 1/4in	
13	Not Used			
14		1	Shim Options:	
	4070987		Shim (.015in) (SN 0300138358 to SN 0300175725)	
	1001151393		Shim (.063in) (SN 0300175725 to Present)	
15	4070991	1	Shim (.125in) (SN 0300138358 to SN 0300175725)	
16	4360070	2	Breaker, Circuit - 15 Amp	
17		1	Switch, Key Options:	
	4360469		ANSI, ANSI Export & UL Specs	
	4360470		Australian Spec (Prior to SN 0300149146)	
	4360469		Australian Spec (SN 0300149146 to Present)	
	4360470		CE Spec	
	2860030		Replacement Key (Fits All Specs)	
18	4360475	1	Switch, Emergency Stop	
	7020175	1	Cap, Mushroom Head	
	7020176	1	Block, Contact	
19	4360476	1	Switch, Contact Block	
20	Not Used			
21	4460234	7	Mount, Tie-Strap	
22		2	Lockwasher, Terminal Options:	
	4460496		SN 0300138358 to SN 0300143541	
	1001125784		SN 0300143541 to Present	
23		2	Nut, Terminal Options:	
	4460497		SN 0300138358 to SN 0300143541	
	1001125785		SN 0300143541 to Present	
24	4460526	2	Connector, Strain Relief	
25	Not Used			
26	4711500	6	Flatwasher 5/16in Thin	

SECTION 2 TURNTABLE

FIGURE 2-7. GROUND CONTROL BOX ASSEMBLY (CONTINUED)

ITEM #	PART NUMBER	QTY.	DESCRIPTION	REV.
27	4740420	AR	Washer, Special O-Ring	
28	Not Used			
29	4750600	6	Flatwasher #6 Regular	
30	1001109497	1	Module, Ground Control (Re-calibration Required when Replaced)	
31	1001109503	1	Gauge, Battery Indicator	
32	1001109506	1	Harness, Ground Control (Not Shown - See Section 7 for Breakdown)	
33	1001109594	1	Harness, Valve (Not Shown - See Section 7 for Breakdown)	
34	1001109610	1	Harness, Cable (Not Shown - See Section 7 for Breakdown)	
35		1	Decal - Faceplate Options:	
	1001109630		E300AJ	
	1001109655		E300AJP	
36	1001108827	1	Box	
36A	70002527	1	Latch	
36B	70002528	2	Bracket, Hinge Mounting	
	70002529	2	Hinge	
37	3790012	2	Ring	
38	4360328	AR	Switch, Toggle	
39	4360330	1	Switch, Toggle	
40	4060906	1	Guard, Switch	
		Ref	GROUND CONTROL BOX INSTALLATION	
	1001108772	Ref	E300AJ (ANSI, ANSI Export & UL Specs)	A
	1001108773	Ref	E300AJ (Australian Spec - Prior to SN 0300149146)	A
	1001108772	Ref	E300AJ (Australian Spec - SN 0300149146 to Present)	A
	1001108773	Ref	E300AJ (CE Spec)	A
	1001108774	Ref	E300AJP (ANSI, ANSI Export & UL Specs)	A
	1001108775	Ref	E300AJP (Australian Spec - Prior to SN 0300149146)	A
	1001108774	Ref	E300AJP (Australian Spec - SN 0300149146 to Present)	A
	1001108775	Ref	E300AJP (CE Spec)	A
101	0100011	AR	Compound, Locking	
102	0641505	3	Bolt 5/16in-18NC x 5/8in	
103	0811610	4	Screw 3/8in-16NC x 1-1/4in	
104	4711500	3	Flatwasher 5/16in Thin	
105	1001107526	1	Plate, Mounting	
	1001110272	Ref	LOAD SENSING INDICATOR INSTALLATION	C
201	2920151	1	Light, LED	

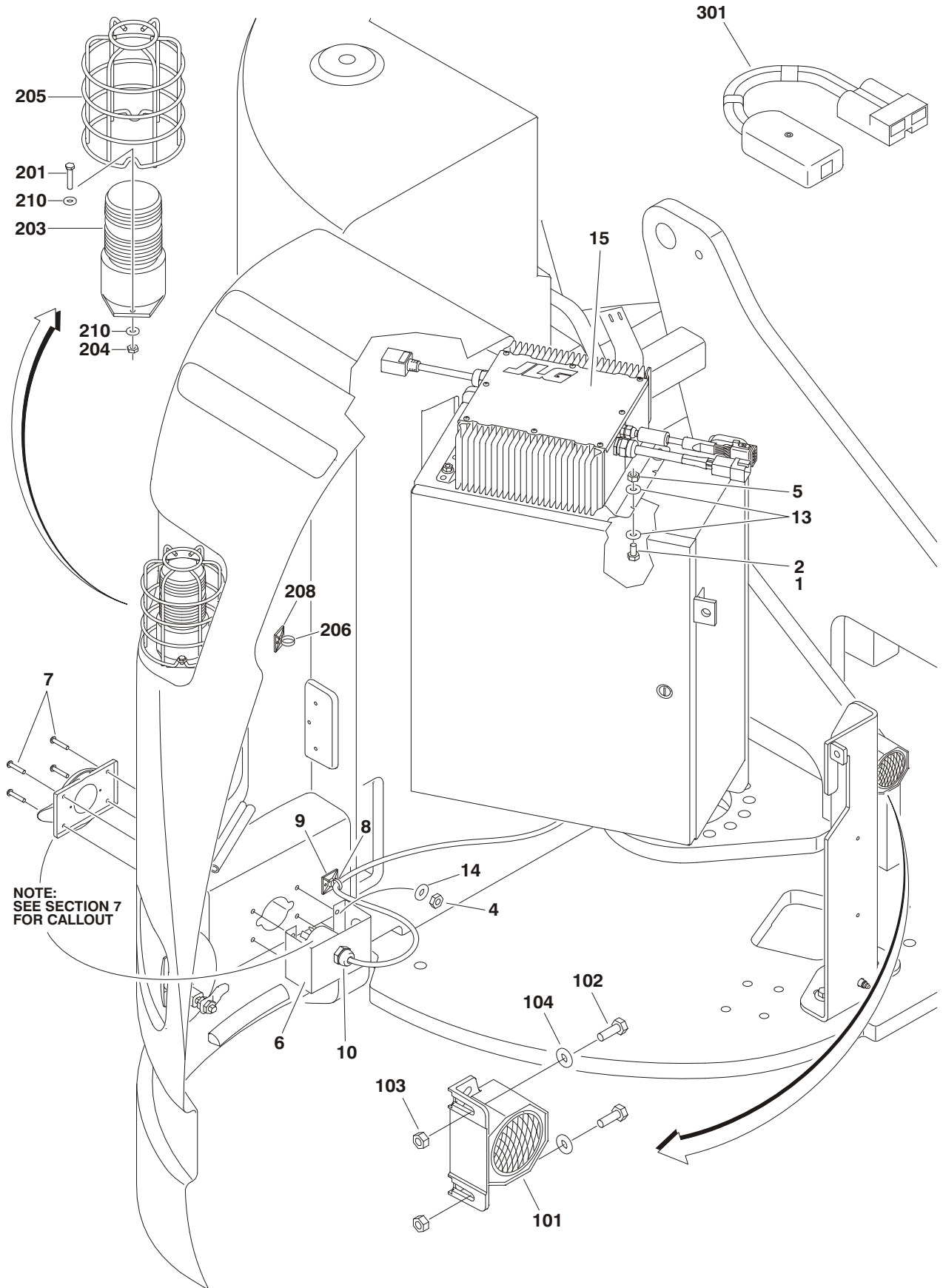
SECTION 2 TURNTABLE

FIGURE 2-7. GROUND CONTROL BOX ASSEMBLY (CONTINUED)

ITEM #	PART NUMBER	QTY.	DESCRIPTION	REV.

SECTION 2 TURNTABLE

FIGURE 2-8. ELECTRICAL COMPONENTS INSTALLATIONS



SECTION 2 TURNTABLE

FIGURE 2-8. ELECTRICAL COMPONENTS INSTALLATIONS

ITEM #	PART NUMBER	QTY.	DESCRIPTION	REV.
		Ref	BATTERY CHARGER INSTALLATIONS	
	1001103106	Ref	ANSI, ANSI Export & UL Specs	D
	1001109116	Ref	ANSI Export & CE Specs	D
	1001109117	Ref	Australian Spec	D
1	0100011	AR	Compound, Locking	
2	0641404	4	Bolt 1/4in-20NC x 1/2in	
3	Not Used			
4	3311005	4	Locknut #10-24NC	
5	3311401	4	Nut 1/4in-20NC	
6	3571584	1	Bracket, Plug (1001109116 & 1001109117 Installations Only)	
7	3911016	4	Screw #10-24NC x 1in	
8	4240032	1	Tie-Strap	
9	4460234	1	Base, Tie-Strap Mounting	
10	4460428	1	Connector, Strain Relief (1001109116 & 1001109117 Installations Only)	
11 to 12	Not Used			
13	4711400	8	Flatwasher 1/4in Thin	
14	4751000	4	Flatwasher #10 Regular	
15	1001103105	1	Battery Charger Assembly (See Section 7 for Replacement Parts)	
	1001110266	Ref	ALARM INSTALLATION	A
101	0140043	1	Alarm	
102	0641406	2	Bolt 1/4in-20NC x 3/4in	
103	3311405	2	Locknut 1/4in-20NC	
104	4711400	2	Flatwasher 1/4in Thin	
		Ref	STROBE LIGHT INSTALLATION (AMBER) (OPTIONAL)	
	1001110268	Ref	Standard Spec	C
	1001158623	Ref	UL Spec	A
		Ref	Note: If machine is equipped with BLUE Strobe Light, see Section 10 SkyGuard Kit.	
201	0721008	1	Screw #10-24NC x 1in	
202	2820035	AR	Tubing, Insulate (Not Shown)	
203	2920146	1	Strobe Light Assembly	
	7016319	1	Bulb, Replacement	
	7016372	1	Lens, Replacement	
204	3311005	2	Locknut #10-24NC	
205	4060865	AR	Guard Options:	
		1	Standard Spec (SN 0300138358 to SN 0300171423)	
		1	UL Spec (SN 0300176401 to Present)	
206	4240033	AR	Wire-Tie	
207	Not Used			
208	4460234	3	Base, Tie-Strap Mounting	
209	Not Used		Clamp	
210	4751000	4	Flatwasher #10 Regular	

SECTION 2 TURNTABLE

FIGURE 2-8. ELECTRICAL COMPONENTS INSTALLATIONS (CONTINUED)

ITEM #	PART NUMBER	QTY.	DESCRIPTION	REV.
211	1001110444	1	Strobe Light Harness (Not Shown - See Section 7 for Break-down) (Note: Now Part of Main Harness)	
301	Use 2915230	1	BATTERY CHARGER REPROGRAM CONTROLLER (was p/n 1600466)	

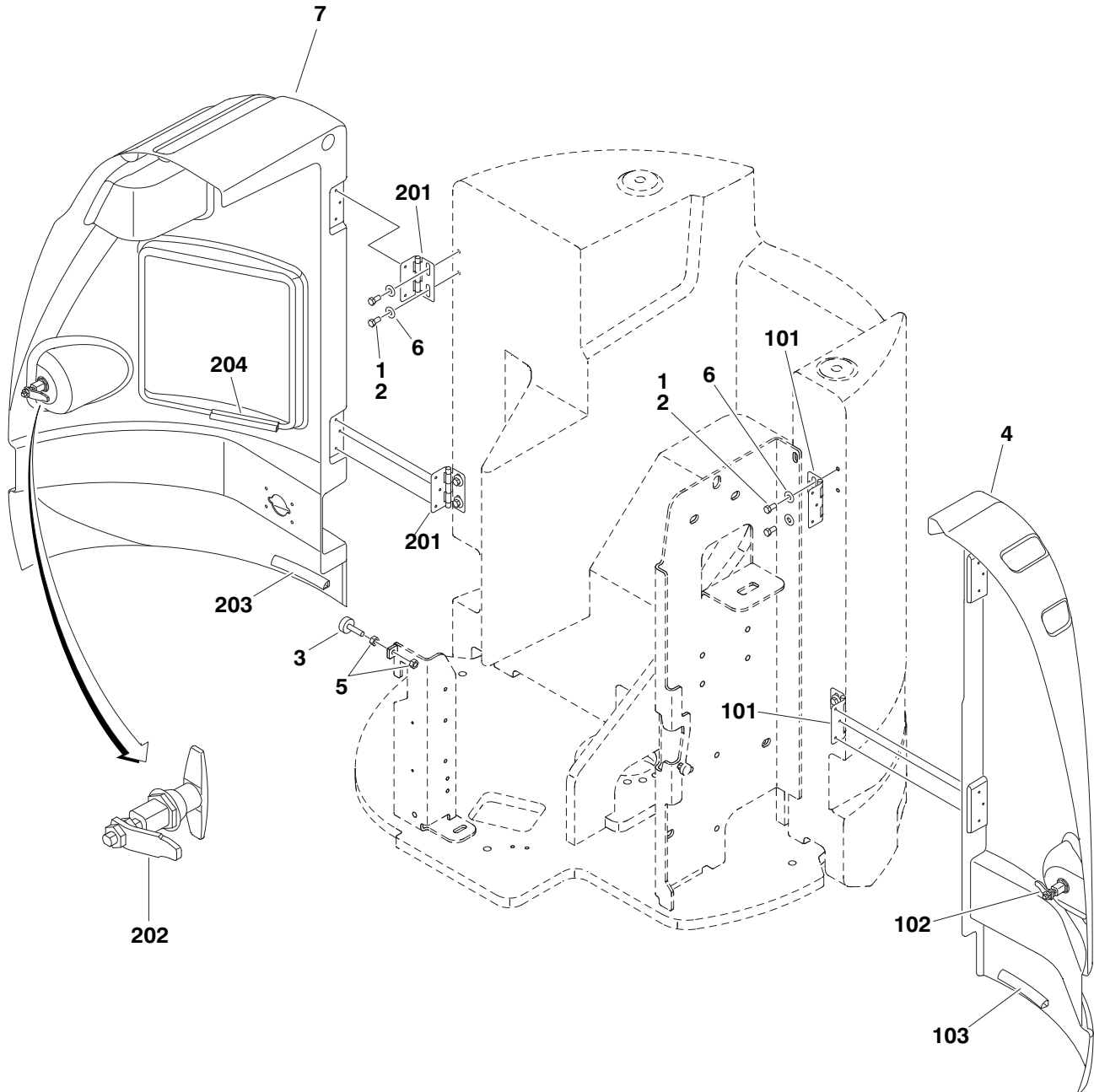
SECTION 2 TURNTABLE

FIGURE 2-8. ELECTRICAL COMPONENTS INSTALLATIONS (CONTINUED)

ITEM #	PART NUMBER	QTY.	DESCRIPTION	REV.

SECTION 2 TURNTABLE

FIGURE 2-9. HOODS INSTALLATION



SECTION 2 TURNTABLE

FIGURE 2-9. HOODS INSTALLATION

ITEM #	PART NUMBER	QTY.	DESCRIPTION	REV.
	1001110013	Ref	HOODS INSTALLATIONS	B
1	0100011	AR	Compound, Locking	
2	0641606	8	Bolt 3/8in-16NC x 3/4in	
3	0940049	4	Bumper	
4	1001112921	1	Hood Assembly - Tank Side (See Item s 101-103 for Breakdown)	
5	3311505	4	Locknut 5/16in-18NC	
6	4751600	8	Flatwasher 3/8in Regular	
7	1001110262	1	Hood Assembly - Ground Control Box Side (See Item s 201-204 for Breakdown)	
	1001112921	Ref	HOOD ASSEMBLY - TANK SIDE	A
		Ref	Note: Replacement Decals Must Be Ordered Separately - See Section 8.	
101	2600258	2	Hinge	
102	2940117	1	Latch	
103	3960514	AR	Seal	
	1001110262	Ref	HOOD ASSEMBLY - GROUND CONTROL BOX SIDE	A
		Ref	Note: Replacement Decals Must Be Ordered Separately - See Section 8.	
201	2600258	2	Hinge	
202	2940117	1	Latch	
203	3960514	30in/76cm	Seal	
204	3960418	36in/90cm	Seal	

SECTION 2 TURNTABLE

FIGURE 2-9. HOODS INSTALLATION (CONTINUED)

ITEM #	PART NUMBER	QTY.	DESCRIPTION	REV.

SECTION 3 BOOM

SECTION 3 BOOM

FIGURE 3-1. BOOM AND CYLINDERS INSTALLATION

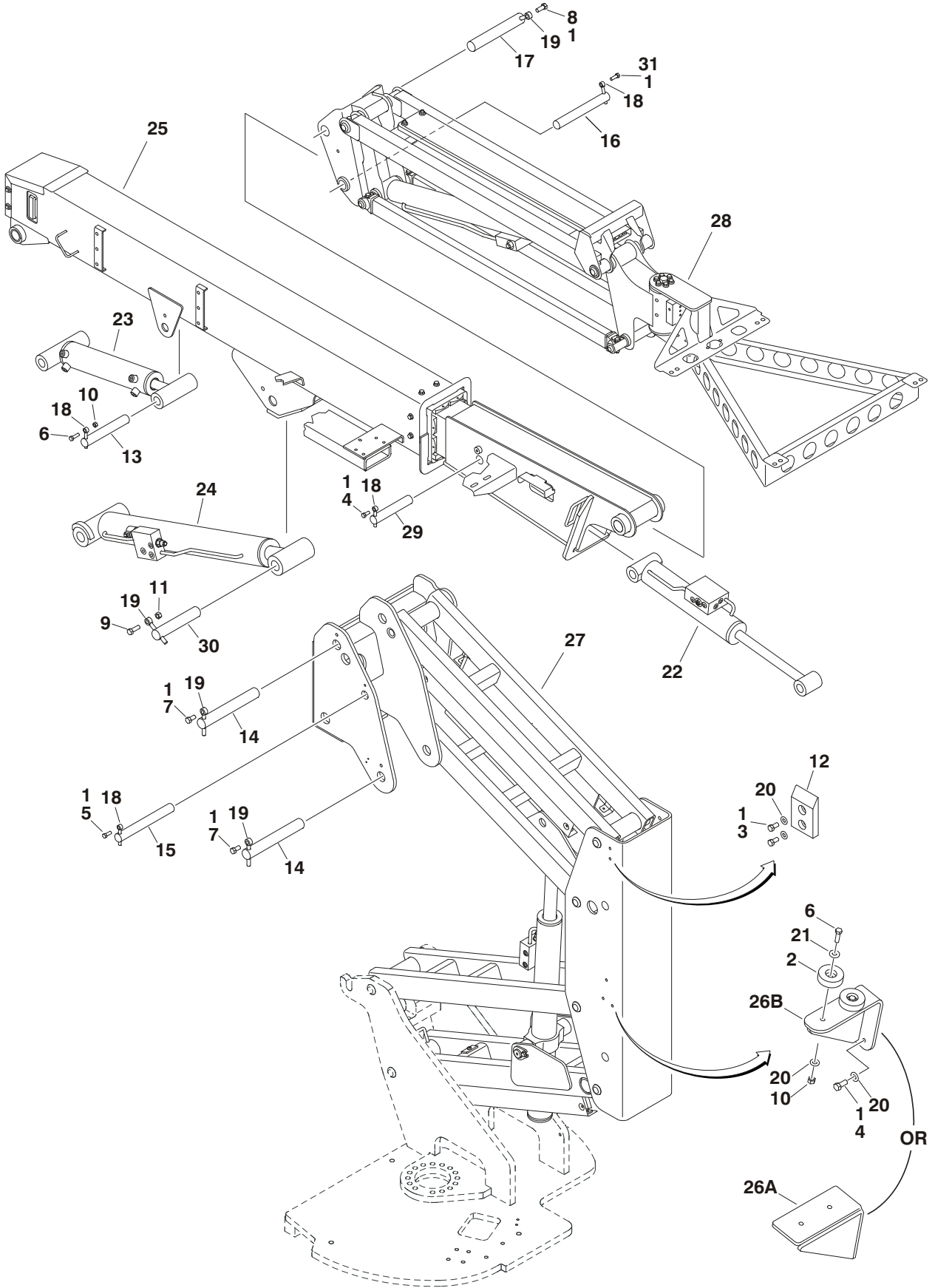


FIGURE 3-1. BOOM AND CYLINDERS INSTALLATION

ITEM #	PART NUMBER	QTY.	DESCRIPTION	REV.
		Ref	NOTE: SERVICE KITS ARE AVAILABLE FOR SOME MACHINES SN 0300138358 TO SN 0300157824 COMPONENTS. IDENTIFY BY HARDWARE TYPE. ORIGINAL EQUIPMENT USES SAE HARDWARE. SERVICE KIT COMPONENTS USE METRIC HARDWARE.	
		Ref	BOOM & CYLINDERS INSTALLATIONS	
	1001108553	Ref	E300AJ	C
	1001107584	Ref	E300AJP	C
1	0100011	AR	Compound, Locking	
2	1001112607	2	Block, Boom Rest	
3	0641606	2	Bolt 3/8in-16NC x 3/4in	
4	0641607	3	Bolt 3/8in-16NC x 7/8in	
5	0641608	1	Bolt 3/8in-16NC x 1in	
6	0641610	3	Bolt 3/8in-16NC x 1-1/4in	
7	0641808	2	Bolt 1/2in-13NC x 1in	
8		1	Bolt Options:	
	0641810		1/2in-13NC x 1-1/4in (SN 0300138358 to SN 0300157824)	
	0761215		M12 x 35mm (SN 0300157824 to Present)	
9	0641812	1	Bolt 1/2in-13NC x 1-1/2in	
10	3311605	3	Locknut 3/8in-16NC	
11	3311805	1	Locknut 1/2in-13NC	
12	3340854	1	Pad, Boom Guide	
13	3422582	1	Pin	
14	3422787	2	Pin1	
15	3422790	1	Pin	
16	3422792	1	Pin	
17	3422814	1	Pin	
18	3841143	4	Keeper, Pin	
19	3841203	4	Keeper, Pin	
20	4711600	7	Flatwasher 3/8in Thin	
21	4751600	2	Flatwasher 3/8in Regular	
22	1001105153	1	Level Cylinder Assembly - Platform (Slave) (See Section 5 for Breakdown)	
23	1001105989	1	Master Cylinder Assembly (See Section 5 for Breakdown)	
24	1001106880	1	Lift Cylinder Assembly - Main Boom (See Section 5 for Breakdown)	
25		1	Main Boom Assembly Options (See Main Boom Assembly for Breakdown):	
	Use 1001125317		E300AJ SN 0300138358 to SN 0300157824 (was p/n 1001108384)	
	Use 1001125317		E300AJ SN 0300157824 to Present (was p/n 1001117885)	
	Use 1001125316		E300AJP SN 0300138358 to SN 0300157824 (was p/n 1001107108)	
	Use 1001125316		E300AJP SN 0300157824 to Present (was p/n 1001123023)	
26		1	Plate, Boom Rest Options:	
26A	1001107573		SN 0300138358 to SN 0300157824	
26B	1001125235		SN 0300157824 to Present	

SECTION 3 BOOM

FIGURE 3-1. BOOM AND CYLINDERS INSTALLATION (CONTINUED)

ITEM #	PART NUMBER	QTY.	DESCRIPTION	REV.
27	1001108387 1001107583	1	Tower Boom Assembly (See Tower Boom Assembly for Breakdown) E300AJ E300AJP	
28	Use 1001125318 Use 1001125318 Use 1001123024 1001123024	1	Jib Assembly (See Jib Assembly & Platform Support Installation for Breakdown) E300AJ SN 0300138358 to SN 0300157824 (was p/n 1001107615) E300AJ SN 0300157824 to Present (was p/n 1001123025) E300AJP SN 0300138358 to SN 0300157824 (was p/n 1001107614) E300AJP SN 0300157824 to Present	
29	3422709	1	Pin	
30	1001109528	1	Pin	
31	0641609 0761014	1	Bolt Options: 3/8in-16NC x 1-1/8in (SN 0300138358 to SN 0300157824) M10 x 30mm (SN 0300157824 to Present)	
32	0641607 0761011	1	Bolt Options: 3/8in-16NC x 7/8in (SN 0300138358 to SN 0300157824) M10 x 22mm (SN 0300157824 to Present)	

FIGURE 3-1. BOOM AND CYLINDERS INSTALLATION (CONTINUED)

ITEM #	PART NUMBER	QTY.	DESCRIPTION	REV.

SECTION 3 BOOM

FIGURE 3-2. TOWER BOOM ASSEMBLY

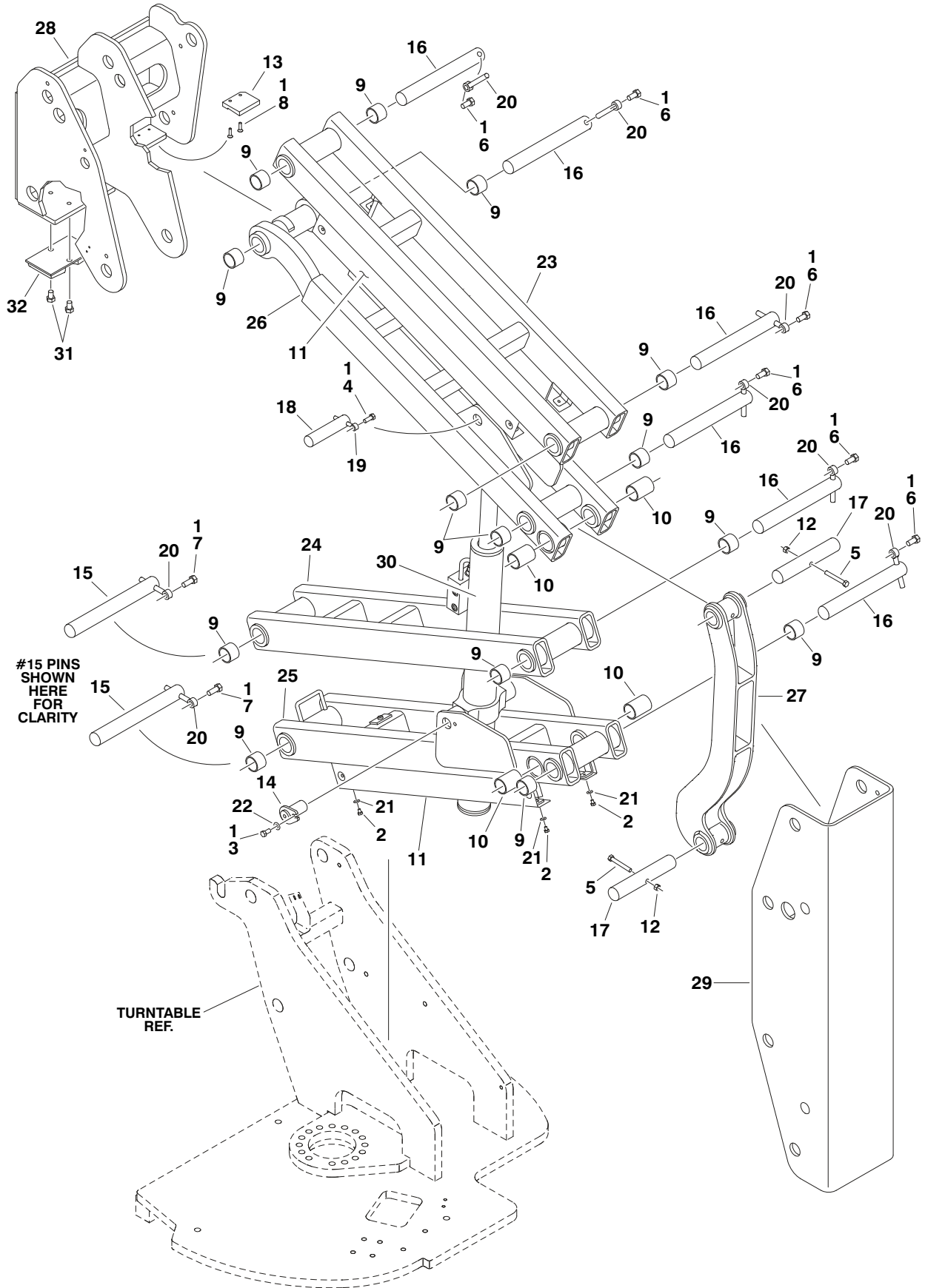


FIGURE 3-2. TOWER BOOM ASSEMBLY

ITEM #	PART NUMBER	QTY.	DESCRIPTION	REV.
			TOWER BOOM ASSEMBLY	
	1001108387	Ref	E300AJ	B
	1001107583	Ref	E300AJP	B
1	0100011	AR	Compound, Locking	
2	0641403	12	Bolt 1/4in-20NC x 3/8in	
3	0641606	2	Bolt 3/8in-16NC x 3/4in	
4	0641608	1	Bolt 3/8in-16NC x 1in	
5	0641622	2	Bolt 3/8in-16NC x 2-3/4in	
6	0641808	6	Bolt 1/2in-13NC x 1in	
7	0641810	2	Bolt 1/2in-13NC x 1-1/4in	
8	0741408	2	Screw 1/4in-20NC x 1in	
9	0961948	16	Bearing	
10	0962259	4	Bearing	
11	1271433	4	Channel, Boom Cable/Hose	
12	3311605	2	Locknut 3/8in-16NC	
13	3340865	1	Pad, Wear	
14	3422424	2	Pin	
15	3422785	2	Pin	
16	3422786	6	Pin	
17	3422788	2	Pin	
18	3422789	1	Pin	
19	3841143	1	Keeper, Pin	
20	3841203	8	Keeper, Pin	
21	4711400	12	Flatwasher 1/4in Thin	
22	4711600	2	Flatwasher 3/8in Thin	
23	4845940	1	Link, Mid Boom (Top)	
24	4845942	1	Link, Lower Boom (Top)	
25	4845943	1	Link, Lower Boom (Bottom)	
26		1	Link, Mid Boom (Bottom) Options:	
	4845941		E300AJ	
	4846083		E300AJP	
27	1001097487	1	Link, Timing	
28	1001107217	1	Upright (Top)	
29	1001107567	1	Upright (Bottom)	
30	1001107886	1	Lift Cylinder Assembly - Tower Boom (See Section 5 for Breakdown)	
31	0641806	2	Bolt 1/2in-13NC x 3/4in	
32	0940048	1	Bumper	

FIGURE 3-3. MAIN BOOM ASSEMBLY

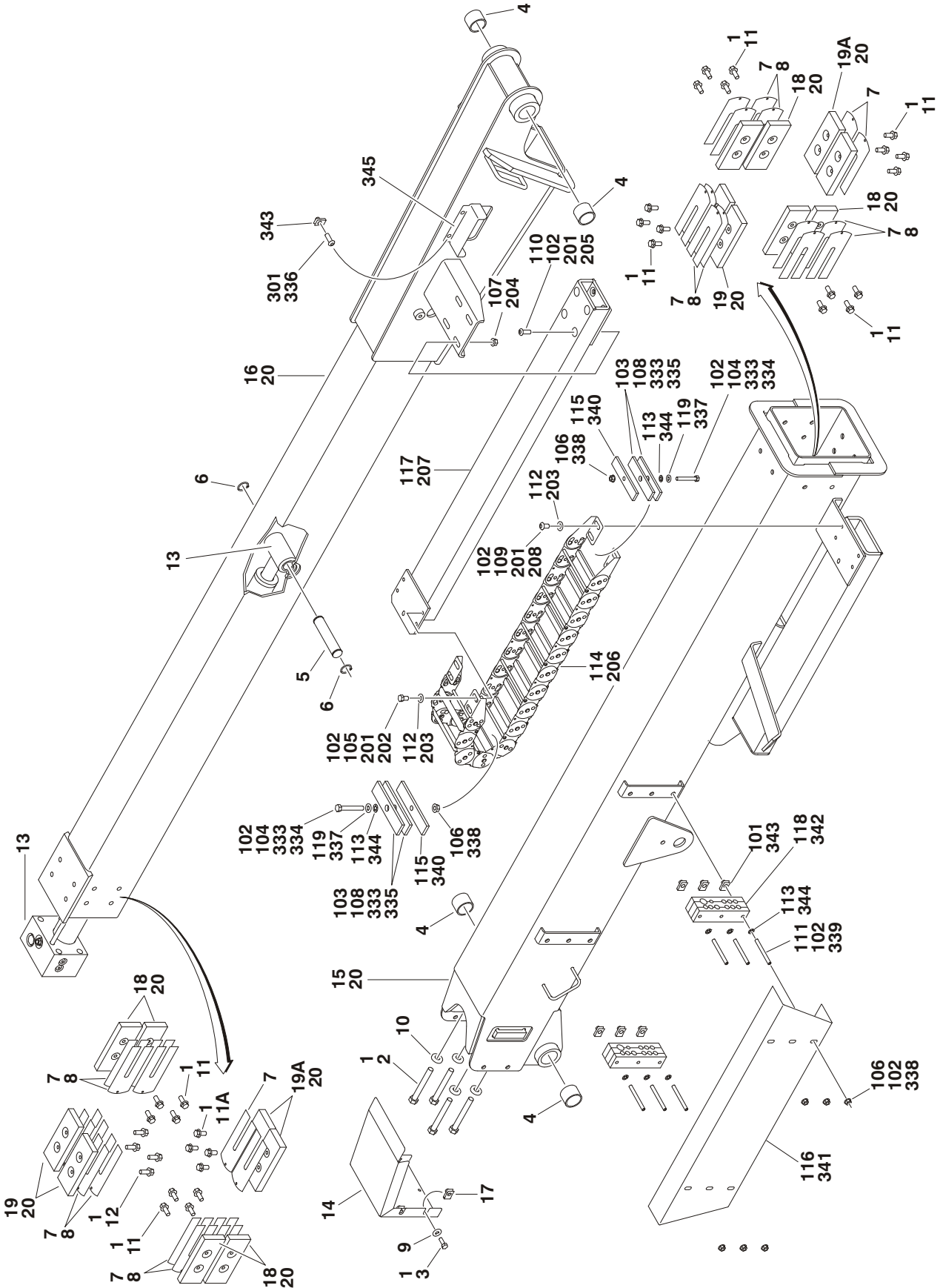


FIGURE 3-3. MAIN BOOM ASSEMBLY

ITEM #	PART NUMBER	QTY.	DESCRIPTION	REV.
		Ref	NOTE: SERVICE KITS ARE AVAILABLE FOR SOME MACHINES SN 0300138358 TO SN 0300157824 COMPONENTS. IDENTIFY BY HARDWARE TYPE. ORIGINAL EQUIPMENT USES SAE HARDWARE. SERVICE KIT COMPONENTS USE METRIC HARDWARE.	
		Ref	MAIN BOOM ASSEMBLY	
	Use 1001125317	Ref	E300AJ SN 0300138358 to SN 0300157824 (was p/n 1001108384)	1/C
	Use 1001125317	Ref	E300AJ SN 0300157824 to Present (was p/n 1001117885)	1/C
	Use 1001125316	Ref	E300AJP SN 0300138358 to SN 0300157824 (was p/n 1001107108)	1/D
	Use 1001125316	Ref	E300AJP SN 0300157824 to Present (was p/n 1001123023)	1/A
1	0100011	AR	Compound, Locking	
2		4	Bolt Options:	
	0681832		Bolt 1/2in-13NC x 4in (Grade 8) (SN 0300138358 to SN 0300157824)	
	0711227		Bolt M12 x 100mm (10.9) (SN 0300157824 to Present)	
3		4	Bolt Options:	
	0641507		Bolt 5/16in-18NC x 7/8in (SN 0300138358 to SN 0300157824)	
	0760812		Bolt M8 x 25mm (SN 0300157824 to Present)	
4	0961948	4	Bushing	
5	3422745	1	Pin	
6	3760115	2	Ring, Retaining	
7	4070897	16	Shim 18Ga	
8	4070898	12	Shim 11Ga	
9		4	Flatwasher Options:	
	4751500		Flatwasher 5/16in Regular (SN 0300138358 to SN 0300157824)	
	4811902		Flatwasher M8 (SN 0300157824 to Present)	
10		4	Flatwasher Options:	
	4891800		Flatwasher 1/2in Hardened (SN 0300138358 to SN 0300157824)	
	5241200		Flatwasher M8 Hardened (SN 0300157824 to Present)	
11		24	Bolt Options:	
	0811607		Bolt 3/8in-16NC x 7/8in (SN 0300138358 to SN 0300157824)	
	5251010		Bolt M10 x 20mm (SN 0300157824 to Present)	
11A		4	Bolt Options:	
	0811606		Bolt 3/8in-16NC x 3/4in (SN 0300138358 to SN 0300157824)	
	5251012		Bolt M10 x 25mm (SN 0300157824 to Present)	
12		4	Bolt Options:	
	0811608		Bolt 3/8in-16NC x 1in (SN 0300138358 to SN 0300157824)	
	5251012		Bolt M10 x 25mm (SN 0300157824 to Present)	

SECTION 3 BOOM

FIGURE 3-3. MAIN BOOM ASSEMBLY (CONTINUED)

ITEM #	PART NUMBER	QTY.	DESCRIPTION	REV.
13	Use 1001120974	1	Telescope Cylinder Assembly Options (See Section 5 for Breakdown): Cylinder (E300AJ SN 0300138358 to SN 030015782) (was p/n 1001106878)	
	1001120974		Cylinder (E300AJ SN 0300157824 to Present)	
	1001106879		Cylinder (E300AJP)	
14	1001108290	1	Cover	
15	Use 1001125319	1	Boom, Base Options: Base (E300AJ SN 0300138358 to SN 0300157824) (was p/n 1001107003)	
	Use 1001125319		Base (E300AJ SN 0300138358 to SN 0300157824 with Service Kit Installed which uses Metric Hardware) (was p/n 1001123026)	
	1001116876		Base (E300AJ SN 0300157824 to Present)	
	Use 1001125319		Base (E300AJP SN 0300138358 to SN 0300157824) (was p/n 1001107003)	
	Use 1001125319		Base (E300AJP SN 0300157824 to Present) (was p/n 1001123026)	
16	Use 1001125320	1	Boom, Fly Options: Fly (E300AJ SN 0300138358 to SN 0300157824) (was p/n 1001107240)	
	1001116877		Fly (E300AJ SN 0300157824 to Present)	
	Use 1001125320		Fly (E300AJP SN 0300138358 to SN 0300157824) (was p/n 1001107240)	
	Use 1001125320		Fly (E300AJP SN 0300157824 to Present) (was p/n 1001123027)	
17	88662530	4	Nut, Retainer Options: Nut (SN 0300138358 to SN 0300157824)	
	1001118274		Nut (SN 0300157824 to Present)	
18	3340862	8	Pad, Wear Options: Pad (SN 0300138358 to SN 0300157824)	
	1001118287		Pad (E300AJ SN 0300157824 to Present)	
	1001123044		Pad (E300AJPSN 0300157824 to Present)	
19	3340862	4	Pad, Wear Options: Pad (SN 0300138358 to SN 0300157824)	
	1001118288		Pad (E300AJ SN 0300157824 to Present)	
	1001123045		Pad (E300AJPSN 0300157824 to Present)	
19A	3340863	4	Pad, Wear Options: Pad (SN 0300138358 to SN 0300157824)	
	1001118288		Pad (E300AJ SN 0300157824 to Present)	
	1001123045		Pad (E300AJPSN 0300157824 to Present)	
20	3020022	AR	Grease, White Lithium	
	1001107658	Ref	BOOM CLAMPS & POWER TRACK INSTALLATION (SN 0300138358 to SN 0300157824)	C
101	88662530	4	Nut, Retainer	
102	0100011	AR	Compound, Locking	
103	0100081	AR	Adhesive	
104	0641518	2	Bolt 5/16in-18NC x 2-1/4in	
105	0641605	4	Bolt 3/8in-16NC x 5/8in	

SECTION 3 BOOM

FIGURE 3-3. MAIN BOOM ASSEMBLY (CONTINUED)

ITEM #	PART NUMBER	QTY.	DESCRIPTION	REV.
106	3311508	8	Nut, Flange 5/16in-18NC	
107	3311608	4	Nut, Flange 3/8in-16NC	
108	3340939	4	Pad, Rubber	
109	3900280	4	Screw 3/8in-16NC x 5/8in	
110	3900316	4	Screw 3/8in-16NC x 1in	
111	3951526	6	Setscrew 5/16in-18NC x3-1/4in	
112	4711600	8	Flatwasher 3/8in Thin	
113	8310146	8	Pushnut 5/16in	
114	1001099834	1	Carrier, Power Track	
	70001996	1	Repair Kit (Includes One 2ft Section of Carrier)	
	70001998	1	Bracket Kit (Includes 4 Mounting Feet & Hardware to Attach to Carrier)	
115	1001106757	2	Plate, Clamp	
116	1001107152	1	Shield, Cover	
117	Use 1001119513	1	Tube, Support (was p/n 1001108249)	
118	1001109080	2	Clamp, Block	
119	4711500	2	Flatwasher 5/16in Thin	
	1001119504	Ref	POWER TRACK INSTALLATION (SN 0300157824 TO PRESENT)	B
201	0100011	AR	Compound, Locking	
202	0761007	4	Bolt M10 x 14mm	
203	4812000	8	Flatwasher 10mm	
204	5221000	4	Nut M10	
205	8310668	4	Bolt M10 x 25mm	
206	1001099834	1	Carrier, Power Track	
	70001996	1	Repair Kit (Includes One 2ft Section of Carrier)	
	70001998	1	Bracket Kit (Includes 4 Mounting Feet & Hardware to Attach to Carrier)	
207	1001119513	1	Tube, Support	
208	1001119527	4	Capscrew M10 x 16mm	
		Ref	BOOM CLAMPS INSTALLATION (SN 0300157824 TO PRESENT)	
	1001109562	Ref	E300AJ	E
	1001109563	Ref	E300AJP	E
301	0100011	AR	Compound, Locking	
302 to 332	Not Used			
333	0100081	AR	Adhesive	
334	0700820	2	Bolt M8 x 60mm	
335	3340939	4	Pad, Rubber	
336	4031908	2	Bolt M8 x 20mm	
337	4811900	2	Flatwasher M8	
338	5260800	8	Nut, Flange M8	
339	5281920	6	Setscrew M8 x 80mm	
340	1001106757	2	Plate, Clamp	
341	1001107152	1	Shield	
342	1001109080	2	Block, Clamp	
343	100118274	8	Nut, Retainer	
344	1001119228	8	Nut M8	
345	1001122600	1	Cover, Hose	

SECTION 3 BOOM

FIGURE 3-4. JIB ASSEMBLY & PLATFORM SUPPORT INSTALLATION

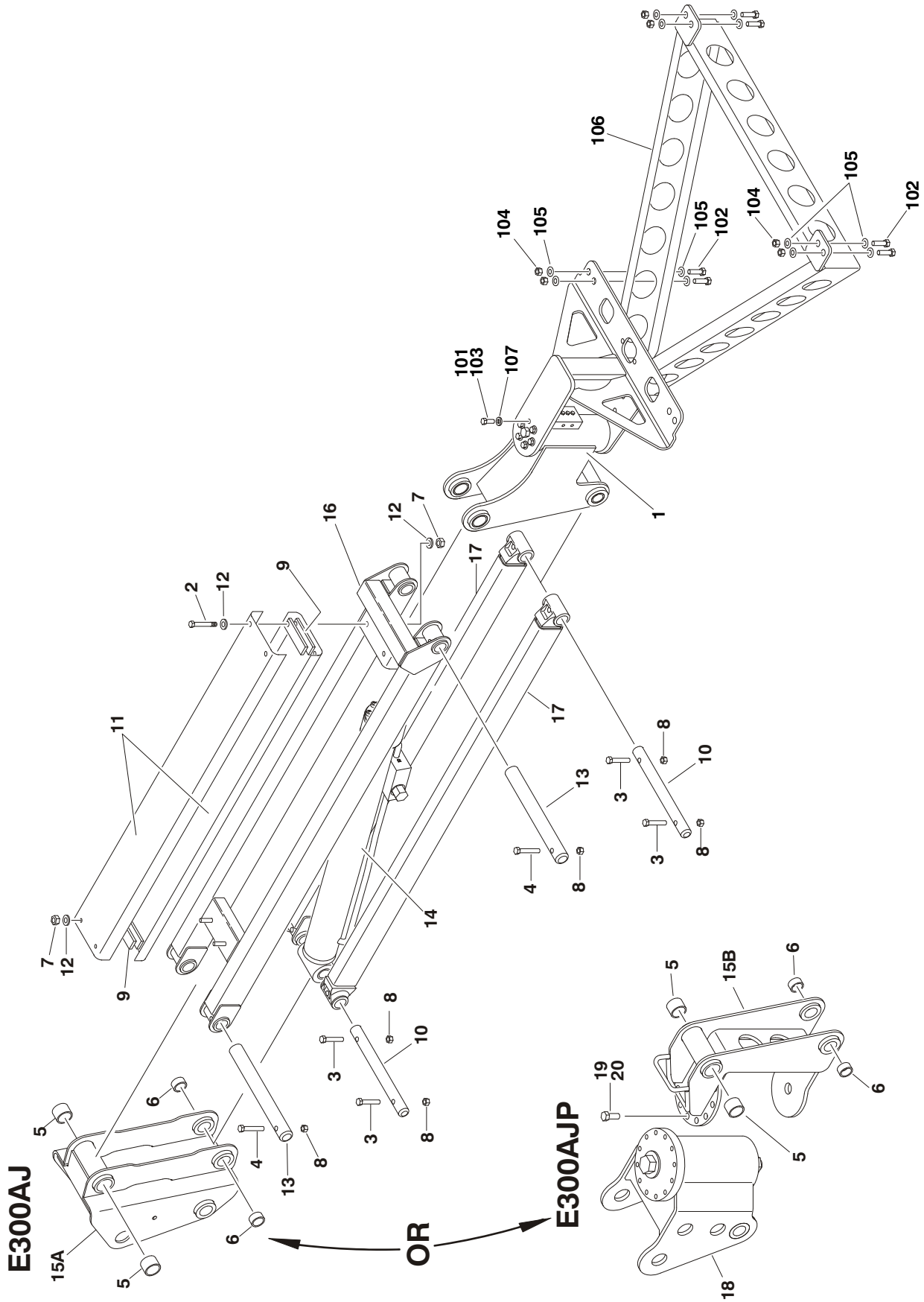


FIGURE 3-4. JIB ASSEMBLY & PLATFORM SUPPORT INSTALLATION

ITEM #	PART NUMBER	QTY.	DESCRIPTION	REV.
		Ref	NOTE: SERVICE KITS ARE AVAILABLE FOR SOME MACHINES SN 0300138358 TO SN 0300157824 COMPONENTS. IDENTIFY BY HARDWARE TYPE. ORIGINAL EQUIPMENT USES SAE HARDWARE. SERVICE KIT COMPONENTS USE METRIC HARDWARE.	
		Ref	JIB ASSEMBLY	
	Use 1001125318	Ref	E300AJ SN 0300138358 to SN 0300157824 (was p/n 1001107615)	1/C
	Use 1001125318	Ref	E300AJ SN 0300157824 to Present (was p/n 1001123025)	1/A
	Use 1001123024	Ref	E300AJP SN 0300138358 to SN 0300157824 (was p/n 1001107614)	A/C
	1001123024	Ref	E300AJP SN 0300157824 to Present	A
1	0060044	1	Platform Rotator Assembly (See Platform Rotator Assembly for Breakdown)	
2		2	Bolt Options:	
	0641516		Bolt 5/16in-18NC x 2in (SN 0300138358 to SN 0300157824)	
	0700818		Bolt M8 x 50mm (SN 0300157824 to Present)	
3		4	Bolt Options:	
	0641616		Bolt 3/8in-16NC x 2in (SN 0300138358 to SN 0300157824)	
	0701018		Bolt M10 x 50mm (SN 0300157824 to Present)	
4		2	Bolt Options:	
	0641618		Bolt 3/8in-16NC x 2-1/4in (SN 0300138358 to SN 0300157824)	
	0701020		Bolt M10 x 60mm (SN 0300157824 to Present)	
5	0961951	2	Bushing	
6	0962292	2	Bushing	
7		4	Nut Options:	
	3311501		Nut 5/16in-18NC (SN 0300138358 to SN 0300157824)	
	3290805		Nut M8 (SN 0300157824 to Present)	
8		6	Locknut 3/8in-16NC	
	3311605		Nut 3/8in-16NC (SN 0300138358 to SN 0300157824)	
	3291005		Nut M10 (SN 0300157824 to Present)	
9	3340860	4	Pad, Rubber	
10	3422791	2	Pin	
11	3572551	2	Channel, Hose Carrier	
12		6	Flatwasher Options;	
	4751500		Flatwasher 5/16in Regular (SN 0300138358 to SN 0300157824)	
	4811902		Flatwasher M8 (SN 0300157824 to Present)	
13		2	Pin	
	3422794		Pin (SN 0300138358 to SN 0300157824)	
	1001116550		Pin (SN 0300157824 to Present)	
14	1001108429	1	Lift Cylinder Assembly - Jib (See Section 5 for Breakdown)	
15		1	Support, Jib Options:	
15A	Use 1001125321		Support (E300AJ) (SN 0300138358 to SN 0300157824) (was p/n 10011034374)	
15A	Use 1001125321		Support (E300AJ) (SN 0300157824 to Present) (was p/n 1001118394)	
15B	4846502		Support (E300AJP)	

SECTION 3 BOOM

FIGURE 3-4. JIB ASSEMBLY & PLATFORM SUPPORT INSTALLATION (CONTINUED)

ITEM #	PART NUMBER	QTY.	DESCRIPTION	REV.
16	4846278 1001118482	1	Link, Jib (Top) Options: Link (SN 0300138358 to SN 0300157824) Link (SN 0300157824 to Present)	
17	1001094670 1001118516	2	Link, Jib (Bottom) Options: Link (SN 0300138358 to SN 0300157824) Link (SN 0300157824 to Present)	
18	0060065	1	Jib Swing Rotator Assembly (E300AJP Only) (See Jib Swing Rotator Assembly for Breakdown)	
19	3931816	1	Capscrew 1/2in-13NC x 1in	
20	0100011	AR	Compound, Locking	
		Ref	PLATFORM SUPPORT INSTALLATION	
	0272976	Ref	Machines without Load Sensing	A
	See Note	Ref	Machines with Load Sensing (Note: Contact JLG Customer Service & Request Manual p/n 3124287.)	
101	0100011	AR	Compound, Locking	
102	0641610	8	Bolt 3/8in-16NC x 1-1/4in	
103	0681608	6	Bolt 3/8in-16NC x 1in (Grade 8)	
104	3311605	1	Locknut 3/8in-16NC	
105	4711600	1	Flatwasher 3/8in Thin	
106	4846608 See Note Above	1	Support, Platform Options: Machines without Load Sensing Machines with Load Sensing	
107	4891600	8	Flatwasher 3/8in Hardened	

FIGURE 3-4. JIB ASSEMBLY & PLATFORM SUPPORT INSTALLATION (CONTINUED)

ITEM #	PART NUMBER	QTY.	DESCRIPTION	REV.

SECTION 3 BOOM

FIGURE 3-5. PLATFORM ROTATOR ASSEMBLY

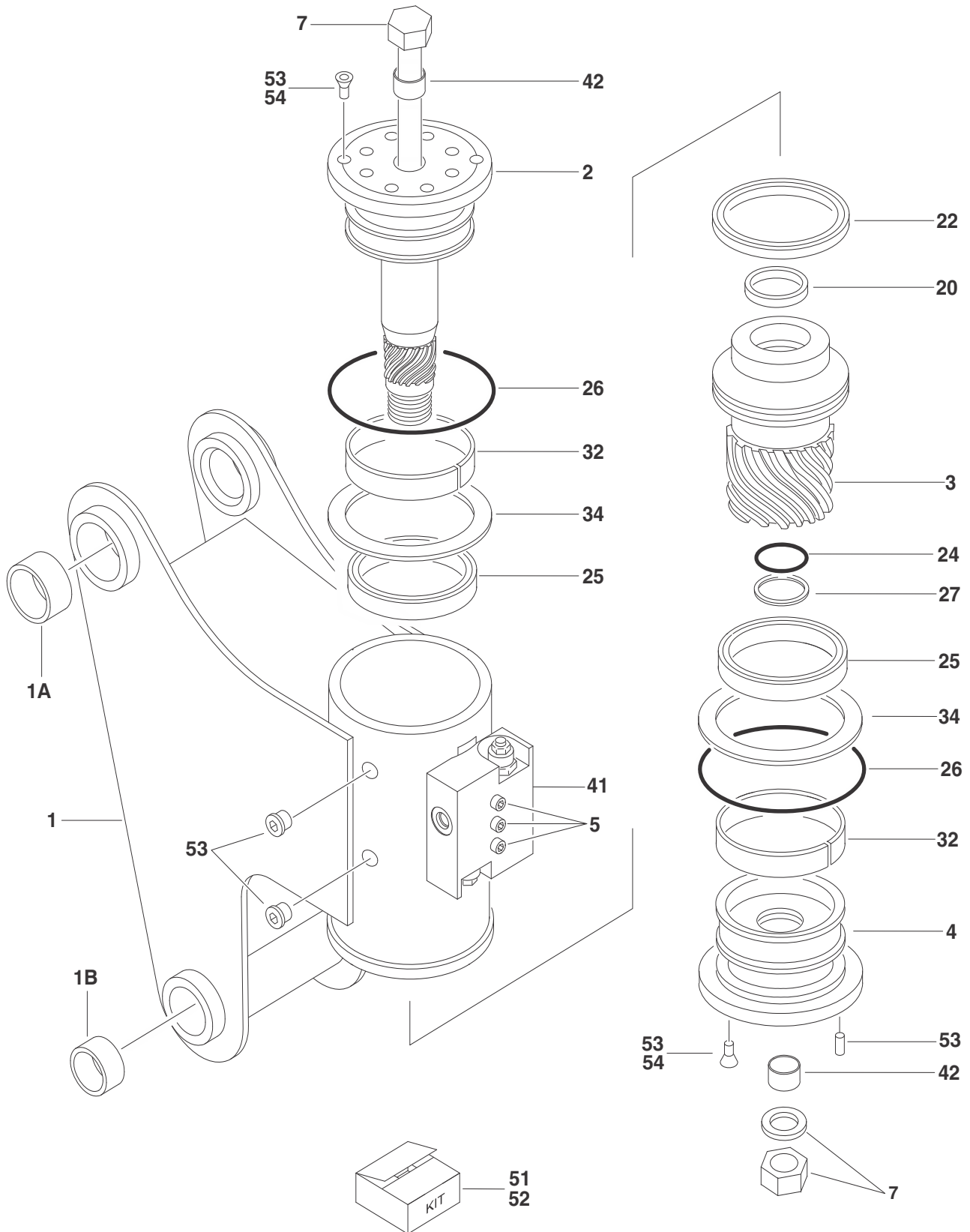


FIGURE 3-5. PLATFORM ROTATOR ASSEMBLY

ITEM #	PART NUMBER	QTY.	DESCRIPTION	REV.
	0060044	Ref Ref	PLATFORM ROTATOR ASSEMBLY Note: There are 2 different versions of Rotator p/n 0060044 & no SN break exists. Order internal parts by the Helac Control #.	D
1	Use 0060044	1	Case/Bracket Weldment (Note: Not Available for Purchase)	
1A	0962257	2	Bushing, Garmax	
1B	0961947	2	Bushing, Garmax	
2		1	Shaft Options: Helac Control #25928 Helac Control #26962	
3	7017120 7017196	1	Sleeve, Piston Options: Helac Control #25928 Helac Control #26962	
4	7017121 7027900	1	Cap, End Helac Control #25928 (Note: Not Available for Purchase) Helac Control #26962	
5	Use 0060044 7027901	3	Capscrew 1/4in-20NC (Grade 8) (Note: Not Available for Purchase)	
6	See Note			
7	Not Used			
8 to 19	7017126	1	Tie Rod Assembly	
20	Not Used			
21	See Note	1	Seal, Rod (Note: Use Item 52)	
22	Not Used			
23	See Note	1	Seal, Piston (Note: Use Item 52)	
24	Not Used			
25	See Note	1	Seal, Cap (Note: Use Item 52)	
26	See Note	2	Packing, Bearing (Note: Use Item 52)	
27	See Note	2	Seal (Note: Use Item 52)	
28 to 31	See Note	1	Ring, Cap Back-Up (Note: Use Item 52)	
32	Not Used			
33	Use 7017122	2	Bearing, Shaft	
34	Not Used			
35 to 40	Use 7017122	2	Thrustwasher	
41	Not Used			
42	7017172	1	Counterbalance Valve Assembly	
43 to 50	7017192	2	Cartridge, Valve (No Seal Kit Available)	
51	See Note	2	Bushing, Shaft (Note: Not Available for Purchase)	
52	Not Used			
53	7017122	1	Bearing Kit (Includes Items 32 & 34):	
54	7017127	1	Seal Kit Options (Includes Items 20,22,24,25,26 & 27): Standard Cold Climate	
	7000341			
	7017123	1	Hardware Kit	
	70001697	4	Screw, Countersunk 1/4in-20NC x 3/8in (Grade 8)	

SECTION 3 BOOM

FIGURE 3-6. JIB SWING ROTATOR ASSEMBLY (E300AJP ONLY)

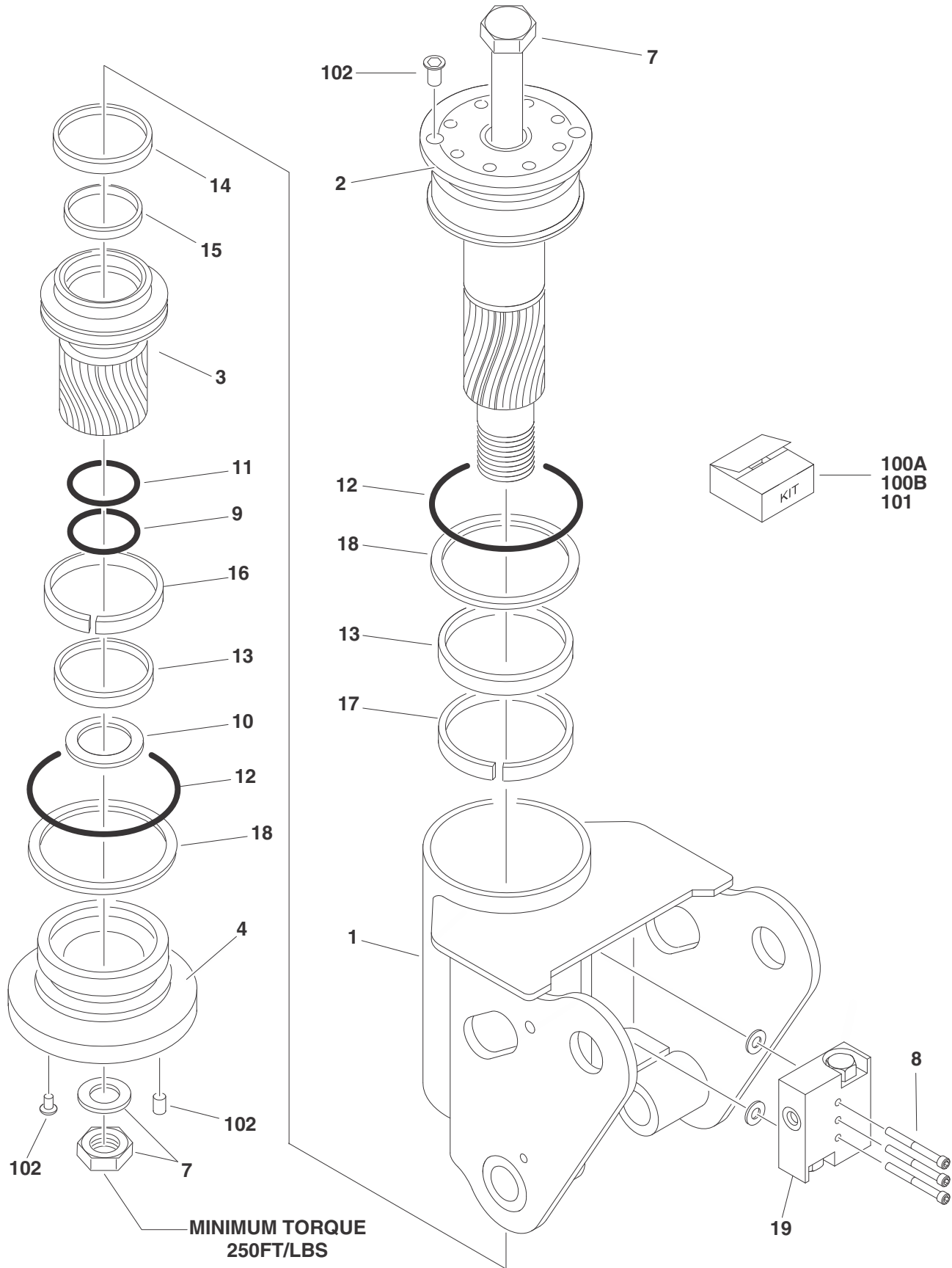


FIGURE 3-6. JIB SWING ROTATOR ASSEMBLY (E300AJP ONLY)

ITEM #	PART NUMBER	QTY.	DESCRIPTION	REV.
	0060065	Ref	JIB SWING ROTATOR ASSEMBLY	C
1	Use 0060065	1	Case/Bracket Weldment (Note: Not Available for Purchase)	
2	7017167	1	Shaft	
3	7017168	1	Sleeve, Piston	
4	Use 0060065	1	Cap, End (Note: Not Available for Purchase)	
5 to 6	Not Used			
7	Use 0060065		Tie Rod Assembly (Note: Not Available for Purchase)	
8	See Note	3	Capscrew 1/4in-20NC (Grade 8) (Note: Not Available for Purchase)	
9	See Note	1	Seal, Cap (Note: Use Item 100A or 100B)	
10	See Note	1	Ring, Back-up Cap (Note: Use Item 100A or 100B)	
11	See Note	1	Seal, Rod (Note: Use Item 100A or 100B)	
12	See Note	1	Seal, Piston (Note: Use Item 100A or 100B)	
13	See Note	2	Packing, Bearing (Note: Use Item 100A or 100B)	
14	See Note	1	Seal (Note: Use Item 100A or 100B)	
15	See Note	1	Seal (Note: Use Item 100A or 100B)	
16	Use 7017178	1	Bearing, Cap	
17	Use 7017178	1	Bearing, Shaft	
18	Use 7017178	2	Thrustwasher	
19	7017172	1	Counterbalance Valve Assembly	
	7017192	2	Cartridge, Valve (No Seal Kit Available)	
100		1	Seal Kit Options (Includes Item 9-15):	
100A	7017165		Standard	
100B	70000340		Cold Climate	
101	7017178	1	Bearing Kit (Includes Item 16-18)	
102	7017179	1	Hardware Kit (Includes Setscrews & Plugs)	

SECTION 3 BOOM

FIGURE 3-7. CABLE, CLAMPS & LIMIT SWITCHES INSTALLATION

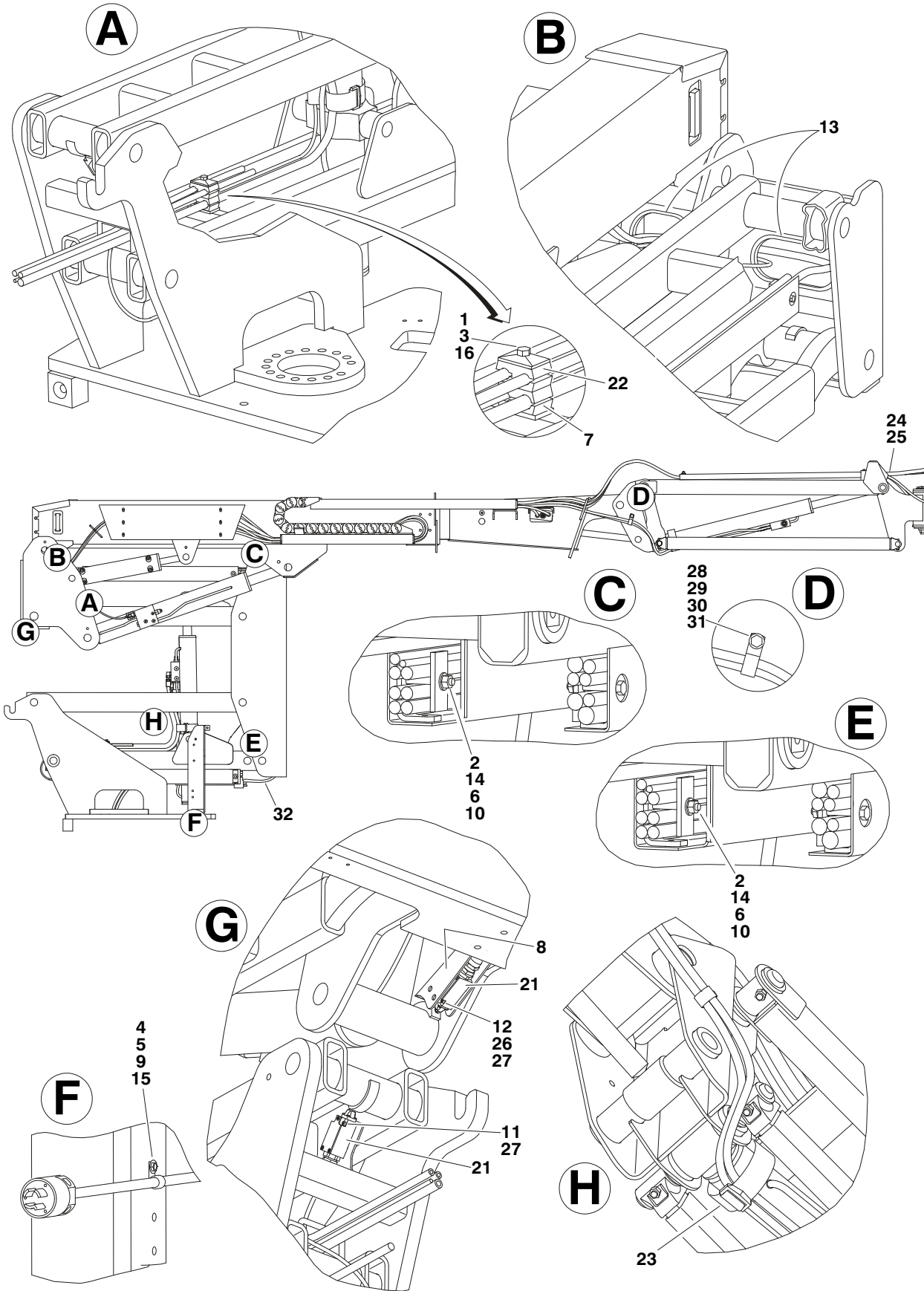


FIGURE 3-7. CABLE, CLAMPS & LIMIT SWITCHES INSTALLATION

ITEM #	PART NUMBER	QTY.	DESCRIPTION	REV.
		Ref	BOOM CABLE CLAMPS INSTALLATION	
	1001109562	Ref	E300AJ	D
	1001109563	Ref	E300AJP	D
		Ref	Note: See Main Boom Assembly for Additional Components.	
1	0100011	AR	Compound, Locking	
2	0641416	6	Bolt 1/4in-20NC x 2in	
3	0641511	1	Bolt 5/16in-18NC x 1-3/8in	
4	0721006	1	Screw #10-24NC x 3/4in	
5	1320043	1	Clamp	
6	1320261	6	Clamp	
7	1320262	1	Clamp	
8	1670899	1	Cover	
9	3311005	1	Locknut #10-24NC	
10	3311405	6	Locknut 1/4in-20NC	
11	3930820	2	Capscrew #10-24NC x 1-1/4in	
12	3930828	2	Capscrew #10-24NC x 1-3/4in	
13	4060808	31in/ 79cm	Flex Trim	
14	4711400	6	Flatwasher 1/4in Thin	
15	4751400	2	Flatwasher 1/4in Regular	
16	8750011	1	Bolt, Stacking	
17 to 20	Not Used			
21	1001109814	1	Harness, Boom (Includes Limit Switches) (See Section 7 for Breakdown)	
22	1320159	1	Clamp	
23	4240156	2	Strap, Cinch	
24	4240033	AR	Tie-Strap	
25	4240018	AR	Tie-Strap	
26	3310805	4	Locknut #8-32NC	
27	4750800	4	Flatwasher #8 Regular	
28	1320130	1	Clamp (E300AJ Only)	
29	0641608	1	Bolt 3/8in-16NC x 1in (E300AJ Only)	
30	3311605	1	Locknut 3/8in-16NC (E300AJ Only)	
31	4751600	2	Flatwasher 3/8in Regular (E300AJ Only)	
32	4100066	2	Sleeve, Hose Wrap	

SECTION 3 BOOM

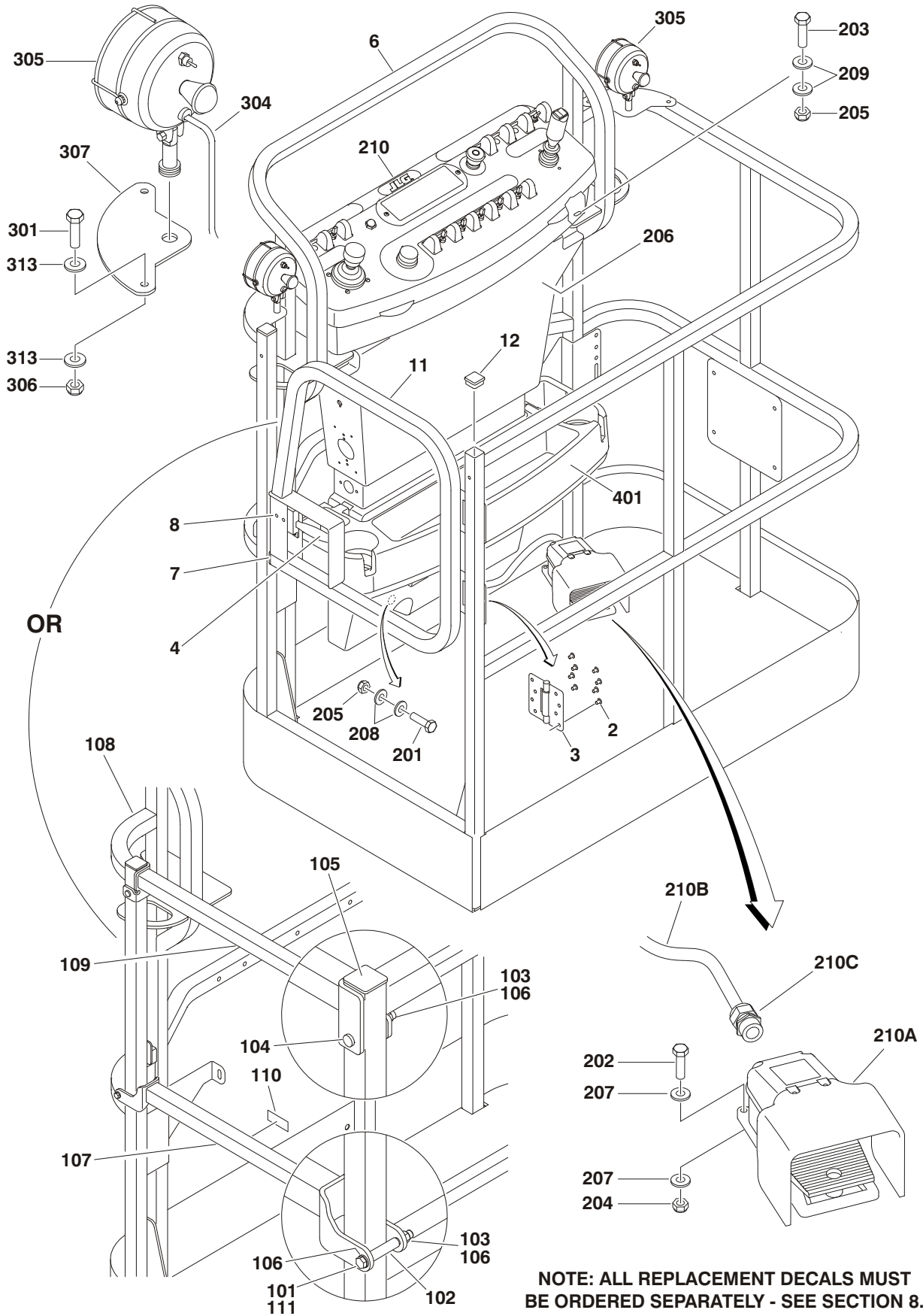
FIGURE 3-7. CABLE, CLAMPS & LIMIT SWITCHES INSTALLATION (CONTINUED)

ITEM #	PART NUMBER	QTY.	DESCRIPTION	REV.

SECTION 4 PLATFORM

SECTION 4 PLATFORM

FIGURE 4-1. PLATFORM ASSEMBLY



SECTION 4 PLATFORM

FIGURE 4-1. PLATFORM ASSEMBLY

ITEM #	PART NUMBER	QTY.	DESCRIPTION	REV.
		Ref	PLATFORM ASSEMBLY WITH GATE	
	Use 1001144027	Ref	Platform Assembly (SN 0300138358 to SN 0300157273) (was p/n 3510830)	B/M
	Use 1001145411	Ref	Platform Assembly (SN 0300157273 to SN 0300163751) (was p/n 1001117149)	B/E
	1001144027	Ref	Platform Assembly (SN 0300163751 to Present)	B
		Ref	Note: Original Equipment platform may have been replaced with Service Replacement platform. Identify platform before ordering parts.	
		Ref	Note: Replacement Decals Must Be Ordered Separately - See Section 8.	
1	Not Used			
2	2080040	16	Fastener, Huck	
3	2600281	2	Hinge, Self-Closing	
4	2940074	1	Latch	
5	Not Used			
6	See Note	1	Platform Weldment (Note: Not Available - Purchase Complete Platform Assembly)	
7		1	Cap-Plug	
	3520072		Platform p/ns 3510830, 1001117149 & 1001144027	
	1001144630		Platform p/ns 1001145411 & 1001144027	
8	3820020	4	Rivet, Pop	
9 to 10	Not Used			
11		1	Gate Weldment Options:	
	4846452		Gate for Original Equipment Platform p/n 3510830 (SN 0300138358 to SN 0300157273)	
	1001144629		Gate for Service Replacement Platform p/n 1001144027 (SN 0300138358 to SN 0300157273)	
	1001114341		Gate for Original Equipment Platform p/n 1001117149 (SN 0300157273 to SN 0300163751)	
	1001144629		Gate for Service Replacement Platform p/n 1001145411 (SN 0300157273 to SN 0300163751)	
	1001144629		Gate for Platform p/n 1001144027 (SN 0300163751 to Present)	
12		2	Cap-Plug Options:	
	3520198		Platform p/ns 3510830, 1001117149 & 1001144027	
	1001145781		Platform p/n 1001145411	
		Ref	PLATFORM ASSEMBLY WITH DROP-BAR	
	Use 1001145410	Ref	Platform Assembly (SN 0300138358 to SN 0300163751) (was p/n 1001139371)	B/B
	1001144018	Ref	Platform Assembly (SN 0300163751 to Present)	B
		Ref	Note: Replacement Decals Must Be Ordered Separately - See Section 8.	
101		2	Bolt Options:	
	0700620		Bolt M6 x 60mm	
	0641418		Bolt 1/4in-20NC x 2-1/4in	
102	0961845	2	Bushing	

SECTION 4 PLATFORM

FIGURE 4-1. PLATFORM ASSEMBLY (CONTINUED)

ITEM #	PART NUMBER	QTY.	DESCRIPTION	REV.
103	3290606 3300151	4	Nut Cap Nut M6 Acorn Nut 1/4in-20NC	
104	4010618	2	Screw M6 x 50mm	
105	3520198 1001145781	2	Cap-Plug Options: Platform p/ns 1001139371 & 1001144018 Platform p/n 1001145410	
106	4811700 4711400	6	Flatwasher Options: Flatwasher M6 Flatwasher 1/4in Thin	
107	1001138494	1	Bar, Drop	
108	See Note	1	Platform Weldment (Note: Not Available - Purchase Complete Platform Assembly)	
109	1001138514	1	Rail (Top)	
110	1001140429	1	Decal - Drop-Bar	
111	0100011	AR	Compound, Locking	
	Ref		PLATFORM CONSOLE AND FOOTSWITCH INSTALLATION	
	Use 1001146099	Ref	E300AJ (was p/n 1001109901)	A/B
	Use 1001146100	Ref	E300AJP (was p/n 1001109902)	A/B
201	0641406	4	Bolt 1/4in-20NC x 3/4in	
202	0641408	3	Bolt 1/4in-20NC x 1in	
203	0641610	4	Bolt 3/8in-16NC x 1-1/4in	
204	3311405	7	Locknut 1/4in-20NC	
205	3311605	4	Locknut 3/8in-16NC	
206	3380434	1	Panel, Pedestal	
207	4740362	7	Washer, Fender 1/4in	
208	4751400	4	Flatwasher 1/4in Regular	
209	4751600	8	Flatwasher 3/8in Regular	
210		1	Console Box Assembly (Not Shown - See Platform Console Assembly for Breakdown)	
210A	0272971 1001136889	1	Footswitch Assembly (Includes Footswitch & Items 210B & 210C) SN 0300138358 to SN 0300169754 SN 0300169754 to Present	C A
	Ref		Note: All machines SN 0300138358 to SN 0300167692 use assembly p/n 0272971. Assembly p/n 0272971 may use either p/n 4360031 or p/n 1001117320. Identify component before ordering parts.	
	4360031 1001117320 1001117172	1	Footswitch Less Cable Options: SN 0300138358 to SN 0300143941 SN 0300143941 to SN 0300169754 SN 0300169754 to Present	
	7000625	AR	Block, Contact Options (see Note Above):	
	70003483	2	Contact Block for p/n 4360031	
	70002902	1	Contact Block for p/n 1001117320	
		1	Contact Block for p/n 1001117172	

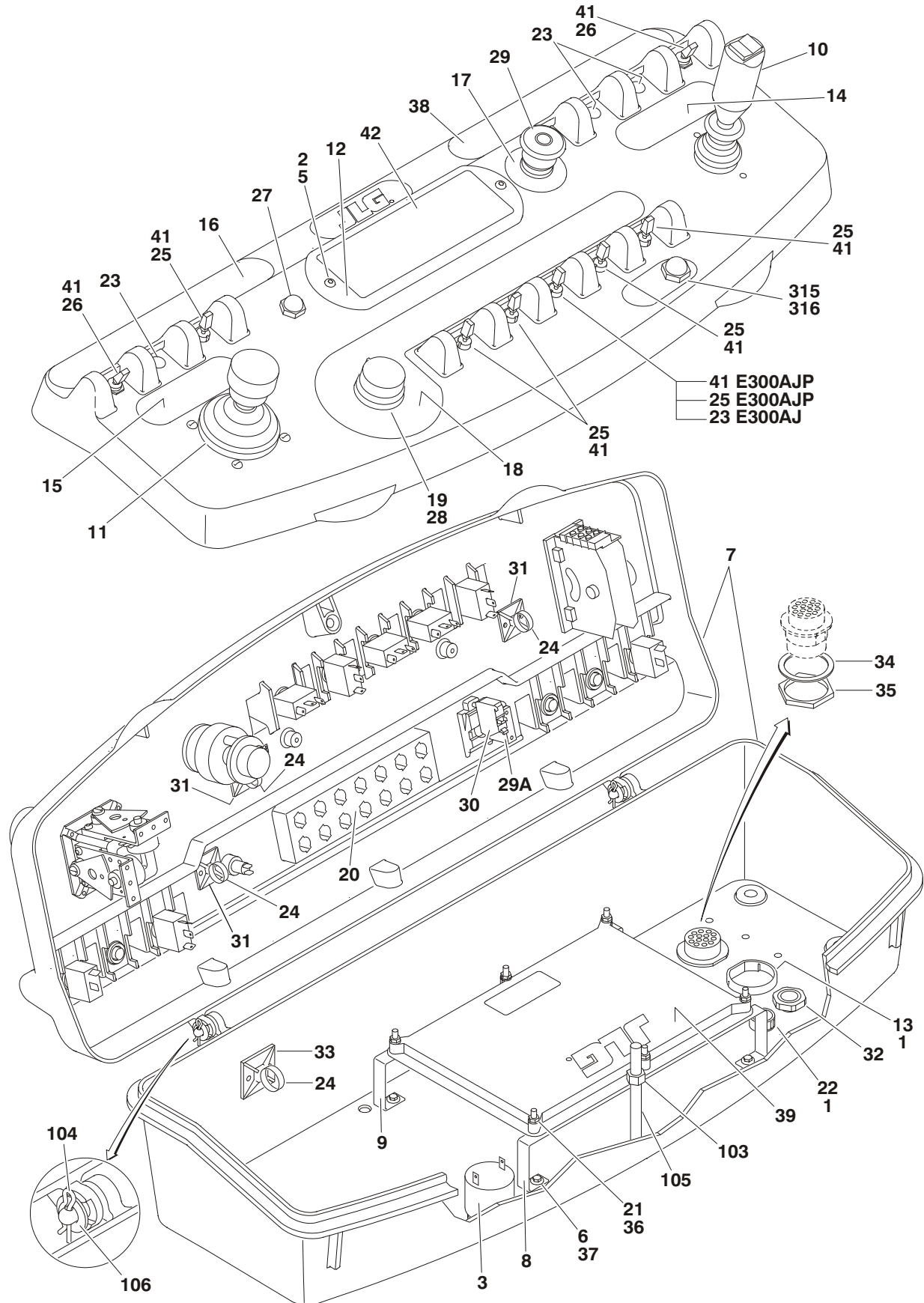
SECTION 4 PLATFORM

FIGURE 4-1. PLATFORM ASSEMBLY (CONTINUED)

ITEM #	PART NUMBER	QTY.	DESCRIPTION	REV.
210A (cont'd)		AR	Cover Components (Footswitch p/n 1001117172 Only)	
	70002903	1	Gasket	
	70002905	1	Cover	
	70002904	1	Bolt Kit	
	3252347	1	Nameplate (Note: See Section 8 for Other Languages)	
210B	1060330	7ft/2.2m	Cable, Electrical 16/3	A
210C	4460071	1	Connector, Strain Relief	
	1001110270	Ref	WORKLIGHTS INSTALLATION	B
301	0641414	4	Bolt 1/4in-20NC x 1-3/4in	
302 to 303	Not Used			
304	2820035	AR	Tubing, Insulate	
305	2920095	2	Worklight Assembly	
	7016356	2	Bulb, Replacement	
306	3311405	4	Locknut 1/4in-20NC	
307	3536089	2	Plate, Mounting	
308	Not Used			
309	4240099	10	Tie-Strap (Not Shown)	
310 to 312	Not Used			
313	4711400	8	Flatwasher 1/4in Thin	
314	1001110393	1	Harness, Worklight (Not Shown - See Section 7 for Breakdown)	
315	1705170	1	Decal - Lights (Not Shown - Located on Console)	
316	4360522	1	Switch, Push Button (Not Shown - Located on Console)	
		Ref	TRAY INSTALLATIONS (OPTIONAL)	
401	1580012	1	Tray, Storage (Center)	

SECTION 4 PLATFORM

FIGURE 4-2. PLATFORM CONSOLE ASSEMBLY



SECTION 4 PLATFORM

FIGURE 4-2. PLATFORM CONSOLE ASSEMBLY

ITEM #	PART NUMBER	QTY.	DESCRIPTION	REV.
		Ref	PLATFORM CONSOLE ASSEMBLY	
	Use 1001146101	Ref	E300AJ (was p/n 1001109857)	A/G
	Use 1001146102	Ref	E300AJP (was p/n 1001109858)	A/G
1	0100009	AR	Sealant	
2	0100035	AR	Compound, Locking	
3	0140011	1	Alarm	
4	Not Used			
5	0630464	2	Screw, Buttonhead #10-24NC x 1/2in	
6	0720804	4	Bolt #8-32NC x 1/2in	
7	0861537	1	Box, Console (See Items 101-106 for Breakdown)	
8	0902575	1	Bracket, Support	
9	0902588	1	Bracket, Support	
10		1	Controller Assembly (Drive & Steer) Options (See Controller Assembly (Drive & Steer) for Breakdown):	
	Use 1001118418	1	Controller Assembly (SN 0300138358 to SN 0300147071) (was p/n 1600273)	
	1001118418	1	Controller Assembly (SN 0300147071 to Present)	
11		1	Controller Assembly (Lift & Swing) Options (See Controller Assembly (Lift & Swing) for Breakdown):	
	Use 1001118419	1	Controller Assembly (SN 0300138358 to SN 0300147071) (was p/n 1600274)	
	1001118419	1	Controller Assembly (SN 0300147071 to Present)	
12	1670829	1	Bezel	
13	Use 1001110435	1	Plug, Hole (was p/n 1671037)	
14	1702565	1	Decal (Drive and Steer)	
15	1702566	1	Decal (Lift and Swing)	
16	1704240	1	Decal (Horn)	
17	1704260	1	Decal (EMS)	
18	1704422	1	Decal (Function Speed)	
19	2560136	1	Handle, Knob	
20	2760105	1	Housing, Display Light	
21	3310601	6	Nut #6-32NC	
22	3520030	1	Plug, Hole	
23	3520054	AR	Plug, Hole	
24	4240032	AR	Tie-Strap	
25	4360328	AR	Switch, Toggle	
26	4360330	2	Switch, Toggle	
27	4360387	1	Switch, Pushbutton	
28	4360462	1	Controller, Speed	
29	4360475	1	Switch, Emergency Stop	
	7020175	1	Cap, Red	
29A	7020176	1	Contact Block	
30	4360476	1	Block, Contact	
31	4460234	3	Base, Mounting	
32	4460428	1	Connector, Strain Relief	
33	4460488	1	Base, Mounting	
34	4460496	1	Lockwasher, Terminal	
35	4460497	1	Nut, Terminal	
36	4750600	6	Flatwasher #6 Regular	

SECTION 4 PLATFORM

FIGURE 4-2. PLATFORM CONSOLE ASSEMBLY (CONTINUED)

ITEM #	PART NUMBER	QTY.	DESCRIPTION	REV.
37	4750800	4	Flatwasher #8 Regular	
38		1	Decal (Stop) Options:	
	Use 1001132175	1	Prior to SN 0300150080 (was p/n 1001107677)	
	1001132175	1	SN 0300150080 to Present	
39	1001109498	1	Controller, Module (Re-calibration Required when Replaced)	
40	Not Used			
41	3790012	AR	O-Ring	
42	1001110226	1	Panel, LED Light	
43 to 49	Not Used			

50	1001119566	1	Decal Kit - Platform Console Box (Includes Items 14 - 18, 38 & 42)	
	0861537	Ref	CONSOLE BOX ASSEMBLY	F
101 to 102	Not Used			
103	3311601	1	Nut 3/8in-16NC	
104	3470003	2	Pin, Cotter	
105	0630568	1	Screw 3/8in-16NC x 4-1/2in	
106	4711500	2	Flatwasher 5/16in Thin	
	0272111	Ref	FITTING ENCLOSURES INSTALLATION (UL SPEC ONLY) (NO SHOWN)	B
201	0100009	AR	Sealant	
202	3520173	8	Plug	
	1001110270	Ref	WORKLIGHTS INSTALLATION	B
301 to 314	Not Used			
315	1705170	1	Decal - Lights (Not Shown - Located on Console)	
316	4360522	1	Switch, Push Button (Not Shown - Located on Console)	

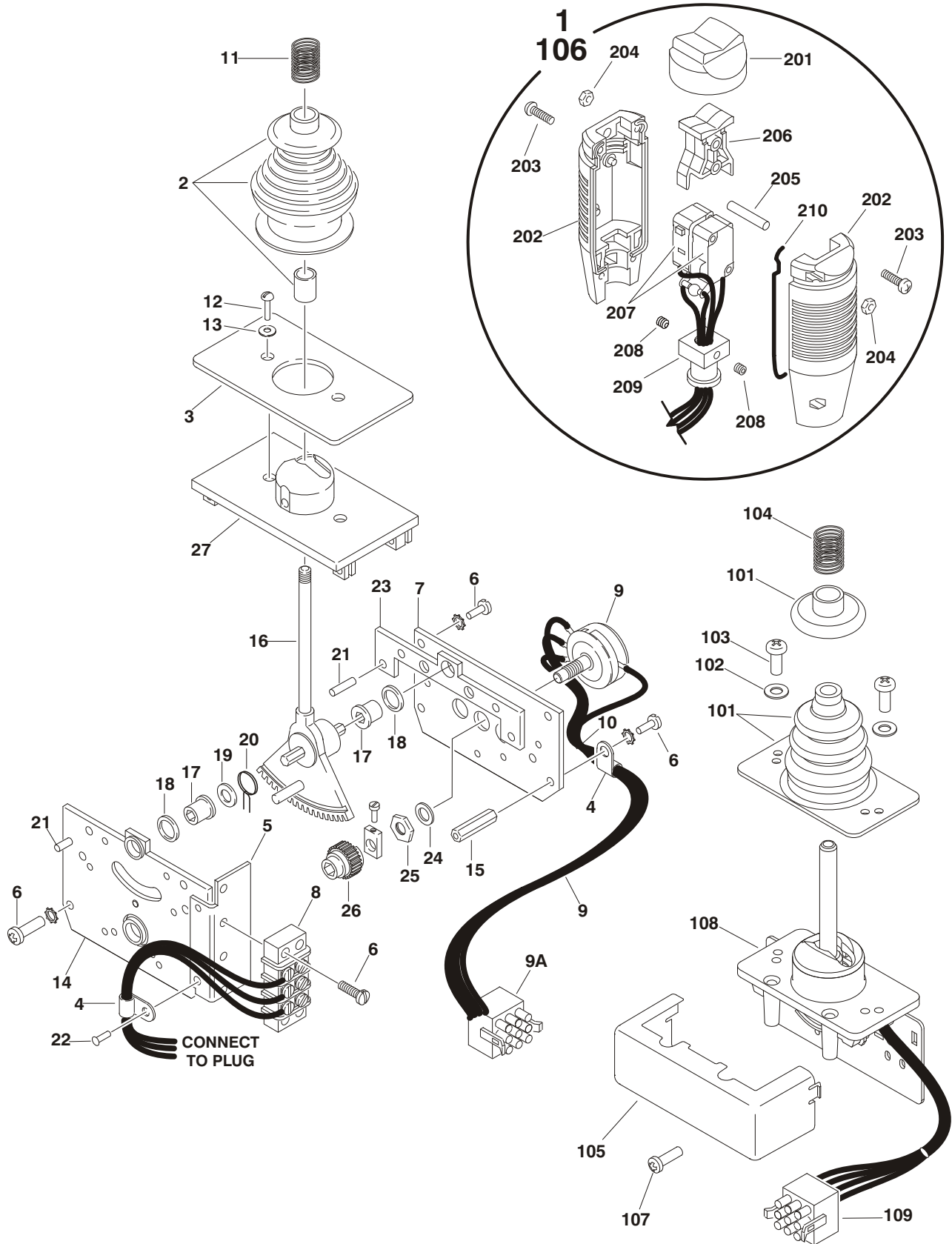
SECTION 4 PLATFORM

FIGURE 4-2. PLATFORM CONSOLE ASSEMBLY (CONTINUED)

ITEM #	PART NUMBER	QTY.	DESCRIPTION	REV.

SECTION 4 PLATFORM

FIGURE 4-3. CONTROLLER ASSEMBLY (DRIVE AND STEER)



SECTION 4 PLATFORM

FIGURE 4-3. CONTROLLER ASSEMBLY (DRIVE AND STEER)

ITEM #	PART NUMBER	QTY.	DESCRIPTION	REV.
		Ref	Note: Original Equipment controller may have been replaced with Service Replacement controller. Visually identify controller before ordering parts.	
		Ref	CONTROLLER ASSEMBLY	
	See Note	Ref	Controller Assembly (Note: Original Equipment for SN 0300138358 to SN 0300147071 is p/n 1600273. Use p/n 1001118418 as Service Replacement.)	G
1	7022812	1	Handle Assembly (See items 201-210 for Breakdown)	
2	7019161	1	Boot and Sleeve	
3	7003933	1	Gasket	
4	7019154	2	Clamp, Wire	
5	7019159	1	Bracket, Mounting	
6	7003994	10	Screw	
7	7019157	1	Plate, Pot Mounting	
8	7003986	1	Strip, Terminal - 3 Position	
9	7019191	1	Electric Assembly	
	7003974	1	Potentiometer	
9A	4460265	1	Plug, Male - 9 Position	
	4460226	7	Socket, Female	
10	7019151	AR	Tie-Strap	
11	7019162	1	Spring	
12	Use 7003940	2	Screw (was p/n 7003969)	
13	7003941	2	Washer	
14	7019158	1	Plate, Mounting (Left Side)	
15	7019115	2	Stand-Off	
16	Use 1001118418	1	Shaft 8mm (Note: Not Available for Purchase)	
17	7019111	2	Bearing	
18	7019110	2	Spacer, Head Gear	
19	7019112	1	Washer	
20	7003946	1	Spring, Return	
21	7019103	4	Pin	
22	See Note	1	Rivet (Note: Not Available - Purchase Locally)	
23	7019168	1	Plate, Mounting (Right Side)	
24	7003992	1	Washer	
25	7003993	1	Nut	
26	7003935	1	Gear, Slave	
27	7019160	1	Base	
	1001118418	Ref	Controller Assembly (Service Replacement - SN 0300138358 to SN 0300147071) (Original Equipment - SN 0300147071 to Present)	B
101	70002724	1	Boot & Control Lock Assembly	
102	7003941	2	Washer	
103	70002725	2	Screw	
104	7019162	1	Spring	
105	70002726	1	Enclosure	
106	70002736	1	Handle Assembly (See Items 201-210 for Breakdown)	
107	70002728	1	Screw	

SECTION 4 PLATFORM

FIGURE 4-3. CONTROLLER ASSEMBLY (DRIVE AND STEER) (CONTINUED)

ITEM #	PART NUMBER	QTY.	DESCRIPTION	REV.
108	Use 1001118418	1	Mechanical Assembly (Note: Not Available for Purchase)	
109	4460265	1	Plug, Male - 9 Position	
	4460226	7	Socket, Female	
		Ref	HANDLE ASSEMBLIES	
	7022812	Ref	Controller Assembly p/n 1600273	
	70002736	Ref	Controller Assembly p/n 1001118418	
201	7003972	1	Boot, Switch	
202	7003973	2	Half, Handle	
203	7003980	4	Screw	
204	7019167	4	Nut	
205	7019164	1	Axle	
206	7019165	1	Rocker	
207		1	Wiring Assembly Options:	
	7019196		Controller Assembly p/n 1600273	
	7003982	2	Switch, Micro for p/n 1600273	
	70002737		Controller Assembly p/n 1001118418	
	7003982	2	Switch, Micro for p/n 1001118418	
208	7003983	2	Setscrew	
209	7019194	1	Coupling	
210	7003989	2	Gasket	

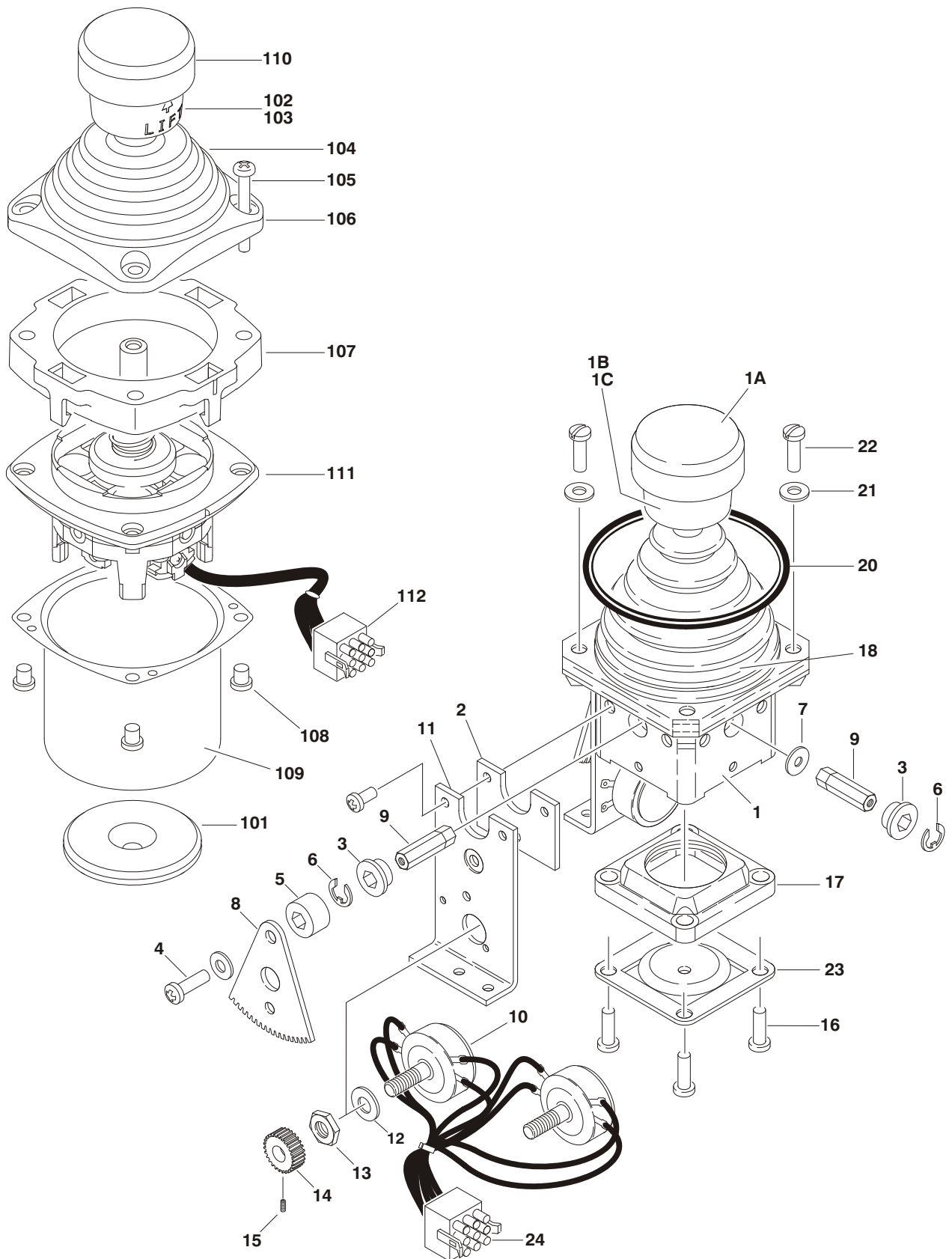
SECTION 4 PLATFORM

FIGURE 4-3. CONTROLLER ASSEMBLY (DRIVE AND STEER) (CONTINUED)

ITEM #	PART NUMBER	QTY.	DESCRIPTION	REV.

SECTION 4 PLATFORM

FIGURE 4-4. CONTROLLER ASSEMBLY (SWING & LIFT)



SECTION 4 PLATFORM

FIGURE 4-4. CONTROLLER ASSEMBLY (SWING & LIFT)

ITEM #	PART NUMBER	QTY.	DESCRIPTION	REV.
		Ref	Note: Original Equipment controller may have been replaced with Service Replacement controller. Visually identify controller before ordering parts.	
		Ref	CONTROLLER ASSEMBLY	
	See Note	Ref	Controller Assembly (Note: Original Equipment for SN 0300138358 to SN 0300147071 is 1600274. Use p/n 1001118419 as Service Replacement.)	F
1	7019141	1	Mechanical Assembly (Includes Base, Handle Stem & Items 18, 1A, 1B & 1C)	
1A	7019197	1	Handle Cap and Rod	
1B	7003928	1	Spring	
1C	7022808	1	Cap, Lift	
2	7019142	2	Plate	
3	7019111	4	Bearing, Gear	
4	7019143	2	Screw	
5	7019144	2	Spacer	
6	7019145	4	E-Clip	
7	7019174	2	Spacer, Cam	
8	7003977	2	Gear, Drive	
9	7019147	4	Shaft	
10	7019195	2	Potentiometer Assembly	
	7003974	1	Potentiometer	
11	7019142	2	Plate	
12	7003992	2	Washer	
13	7003993	2	Nut	
14	7003976	2	Gear, Slave	
15	7019149	2	Setscrew	
16	7003952	4	Screw	
17	7019150	1	Gate	
18	Use 7022813	1	Boot (Was p/n 7003955)	
19	Use 7022813	1	Plate, Plastic (Was p/n 7003954)	
20	7003956	1	O-Ring	
21	7003953	4	Washer	
22	7019137	4	Screw	
23	7019170	1	Center, Detent	
24	4460265	1	Plug, Male - 9 Position	
	4460226	8	Socket, Female	
	1001118419	Ref	Controller Assembly (Service Replacement - SN 0300138358 to SN 0300147071) (Original Equipment - SN 0300147071 to Present)	B
101	70002730	1	Gasket	
102	7003928	1	Spring	
103	7022808	1	Cap, Lift	
104	70002731	1	Boot	
105	70002732	4	Screw	
106	7022815	1	Bezel	
107	70002733	1	Adapter	

SECTION 4 PLATFORM

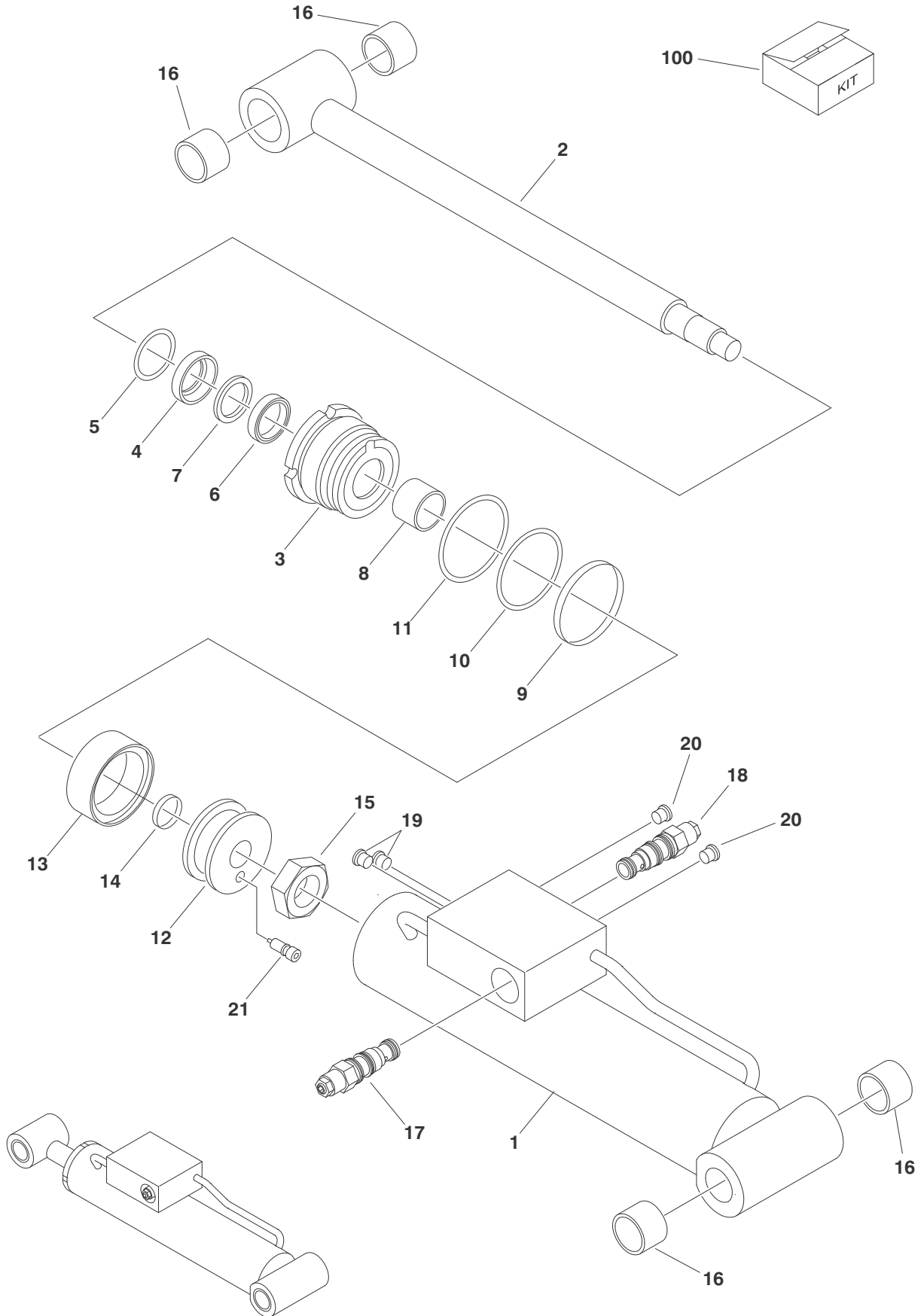
FIGURE 4-4. CONTROLLER ASSEMBLY (SWING & LIFT) (CONTINUED)

ITEM #	PART NUMBER	QTY.	DESCRIPTION	REV.
108	70002734	4	Screw	
109	70002735	1	Can, Enclosure	
110	70002906	1	Cap	
111	Use 1001118419	1	Mechanical Assembly (Note: Not Available for Purchase)	
112	4460265	1	Plug, Male - 9 Position	
	4460226	8	Socket, Female	

SECTION 5 CYLINDER

SECTION 5 CYLINDER

FIGURE 5-1. LEVEL (PLATFORM SLAVE) CYLINDER ASSEMBLY



SECTION 5 CYLINDER

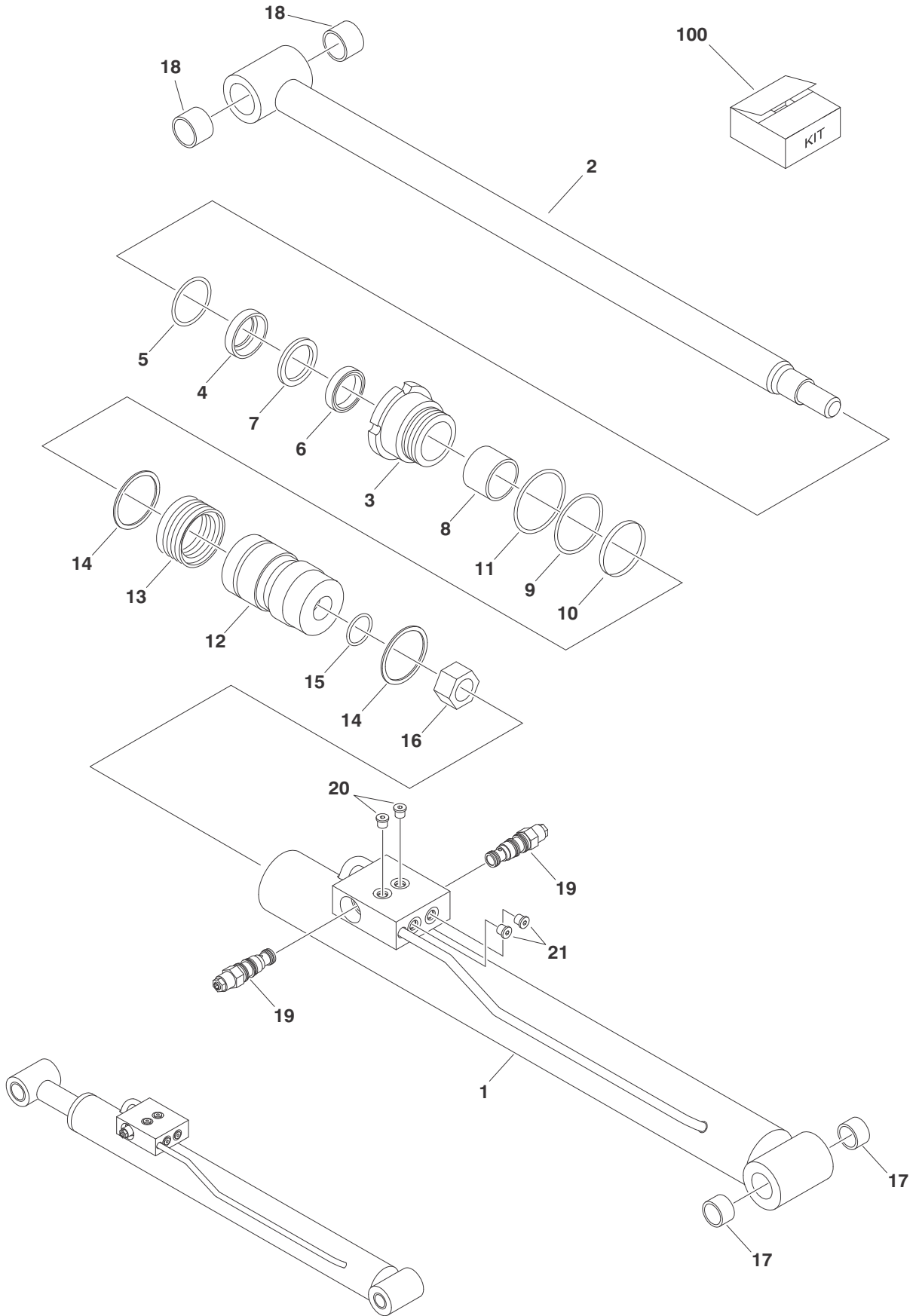
FIGURE 5-1. LEVEL (PLATFORM SLAVE) CYLINDER ASSEMBLY

ITEM #	PART NUMBER	QTY.	DESCRIPTION	REV.
	1001105153	Ref	LEVEL (PLATFORM LEVEL) CYLINDER ASSEMBLY	E
1	70002361	1	Barrel Weldment	
2	70002360	1	Rod Weldment	
3	70002359	1	Head	
4	Use 70002350	1	Wiper	
5	70002366	1	Ring, Retaining	
6	Use 70002350	1	Seal, Rod	
7	Use 70002350	1	Ring, Back-up	
8	70002352	1	Ring, Wear	
9	Use 70002350	1	O-Ring	
10	Use 70002350	1	Ring, Back-up	
11	Use 70002350	1	O-Ring	
12	70002358	1	Piston	
13	Use 70002350	1	Seal, Piston	
14	Use 70002350	1	O-Ring	
15	70002335	1	Nut	
	0100071	AR	Compound, Locking	
16	70002333	4	Bearing	
17	70002413	1	Cartridge, Valve (Counterbalance)	
	2900770	1	Seal Kit - 70002413 Valve (1 Per Assembly)	
18	70002388	1	Cartridge, Valve (Counterbalance)	
	2900770	1	Seal Kit - 70002388 Valve (1 Per Assembly)	
19	See Note	2	Plug, O-Ring (Note: Not Available for Purchase)	
20	Not Used			
21	70002357	1	Valve, Phase	

100	70002350	1	Seal Kit (Includes Items 4,6,7,9,10,11,13 & 14)	

SECTION 5 CYLINDER

FIGURE 5-2. LIFT (JIB) CYLINDER ASSEMBLY



SECTION 5 CYLINDER

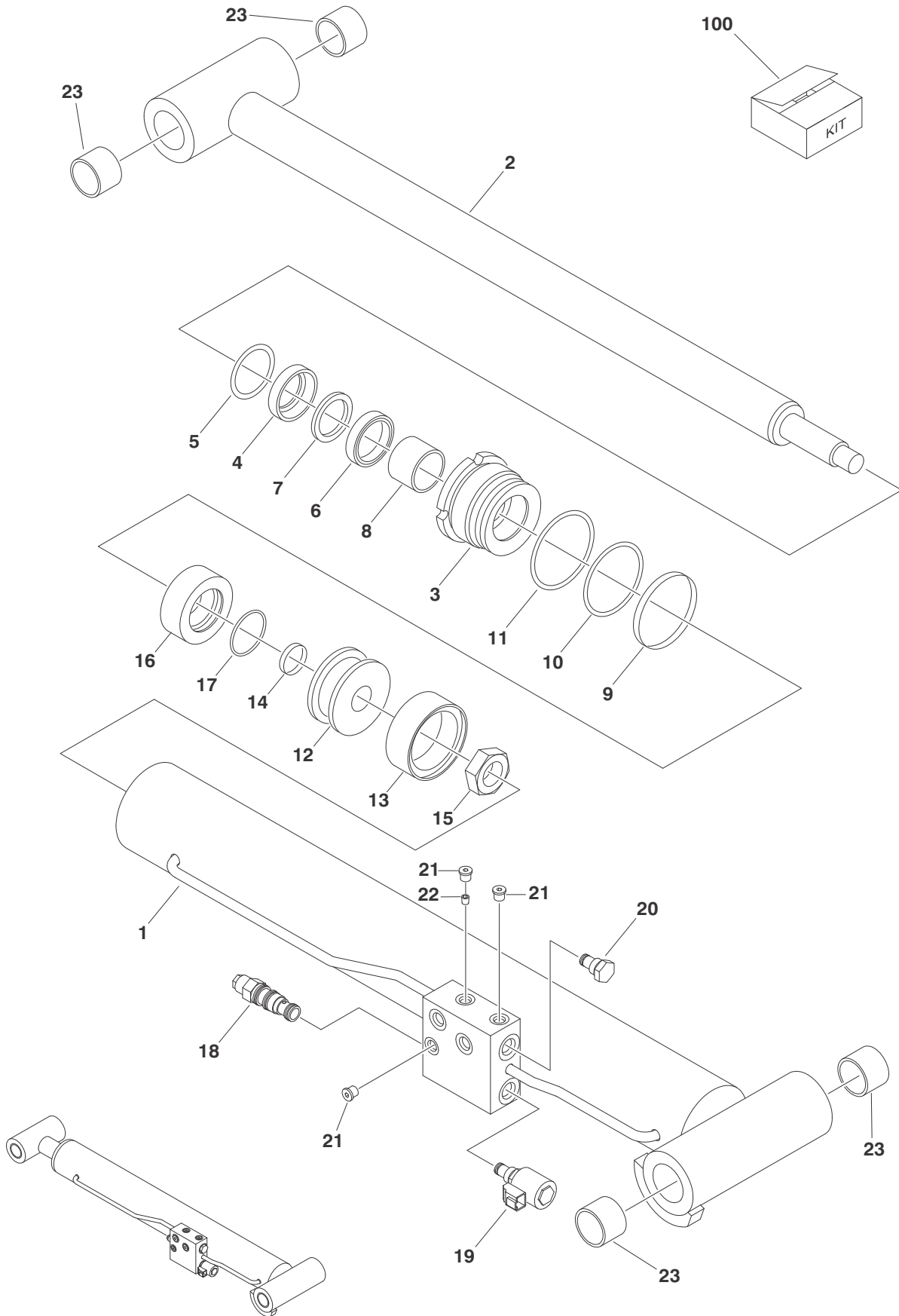
FIGURE 5-2. LIFT (JIB) CYLINDER ASSEMBLY

ITEM #	PART NUMBER	QTY.	DESCRIPTION	REV.
	1001108429	Ref	LIFT (JIB) CYLINDER ASSEMBLY	C
1	70002376	1	Barrel Weldment	
2	70002375	1	Rod Weldment	
3	70002374	1	Head	
4	Use 70002370	1	Wiper	
5	70002373	1	Ring, Retaining	
6	Use 70002370	1	Seal, Rod	
7	Use 70002370	1	Ring, Back-up	
8	70002372	1	Ring, Wear	
9	Use 70002370	1	O-Ring	
10	Use 70002370	1	Ring, Back-up	
11	Use 70002370	1	O-Ring	
12	70002371	1	Piston	
13	Use 70002370	1	Seal, Piston	
14	Use 70002370	2	Ring, Piston	
15	Use 70002370	1	O-Ring	
16	70002335	1	Nut	
	0100071	AR	Compound, Locking	
17	70002363	2	Bearing	
18	70002333	2	Bearing	
19	70002389	2	Cartridge, Valve (Counterbalance)	
	2900770	2	Seal Kit - 70002389 Valve (1 Per Assembly)	
20	See Note	2	Plug, O-Ring (Note: Not Available for Purchase)	

100	70002370	1	Seal Kit (Includes Items 4,6,7,9,10,11,13,14 & 15)	

SECTION 5 CYLINDER

FIGURE 5-3. LIFT (MAIN BOOM) CYLINDER ASSEMBLY



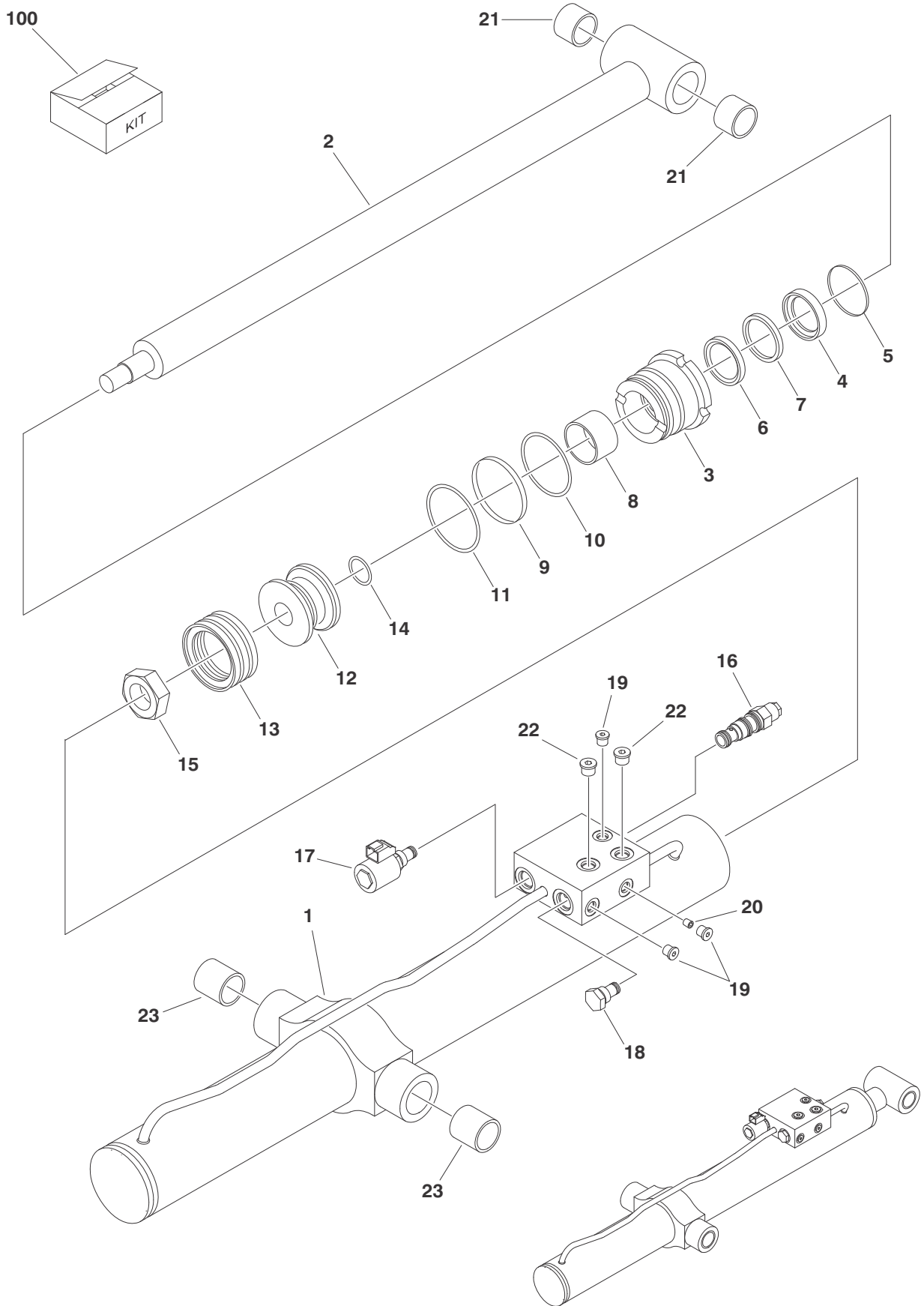
SECTION 5 CYLINDER

FIGURE 5-3. LIFT (MAIN BOOM) CYLINDER ASSEMBLY

ITEM #	PART NUMBER	QTY.	DESCRIPTION	REV.
	1001106880	Ref	LIFT (MAIN BOOM) CYLINDER ASSEMBLY	E
1	70002349	1	Barrel Weldment	
2	70002348	1	Rod Weldment	
3	70002347	1	Head	
4	Use 70002341	1	Wiper	
5	70002412	1	Ring, Retaining	
6	Use 70002341	1	Seal, Rod	
7	Use 70002341	1	Ring, Back-up	
8	70022593	1	Ring, Wear	
9	Use 70002341	1	O-Ring	
10	Use 70002341	1	Ring, Back-up	
11	Use 70002341	1	O-Ring	
12	70002346	1	Piston	
13	Use 70002341	1	Seal, Piston	
14	Use 70002341	1	O-Ring	
15	70002345	1	Nut	
	0100071	AR	Compound, Locking	
16	70002344	1	Spacer	
17	Use 70002341	1	O-Ring	
18	70002387	1	Cartridge, Valve (Counterbalance)	
	2900770	1	Seal Kit - 70002387 Valve (1 Per Assembly)	
19	7024884	1	Cartridge, Valve (2 Way Poppet)	
	7012967	1	Seal Kit - 7024884 Valve (1 Per Assembly)	
	70002386	1	Coil	
20	7012955	1	Cartridge, Valve (Check)	
	7012967	1	Seal Kit - 7012955 Valve (1 Per Assembly)	
21	See Note	3	Plug, O-Ring (Note: Not Available for Purchase)	
22	70002343	1	Orifice	
23	70002342	4	Bearing	
100	70002341	1	----- Seal Kit (Includes Items 4,6,7,9,10,11,13,14 & 17)	

SECTION 5 CYLINDER

FIGURE 5-4. LIFT (TOWER BOOM) CYLINDER ASSEMBLY



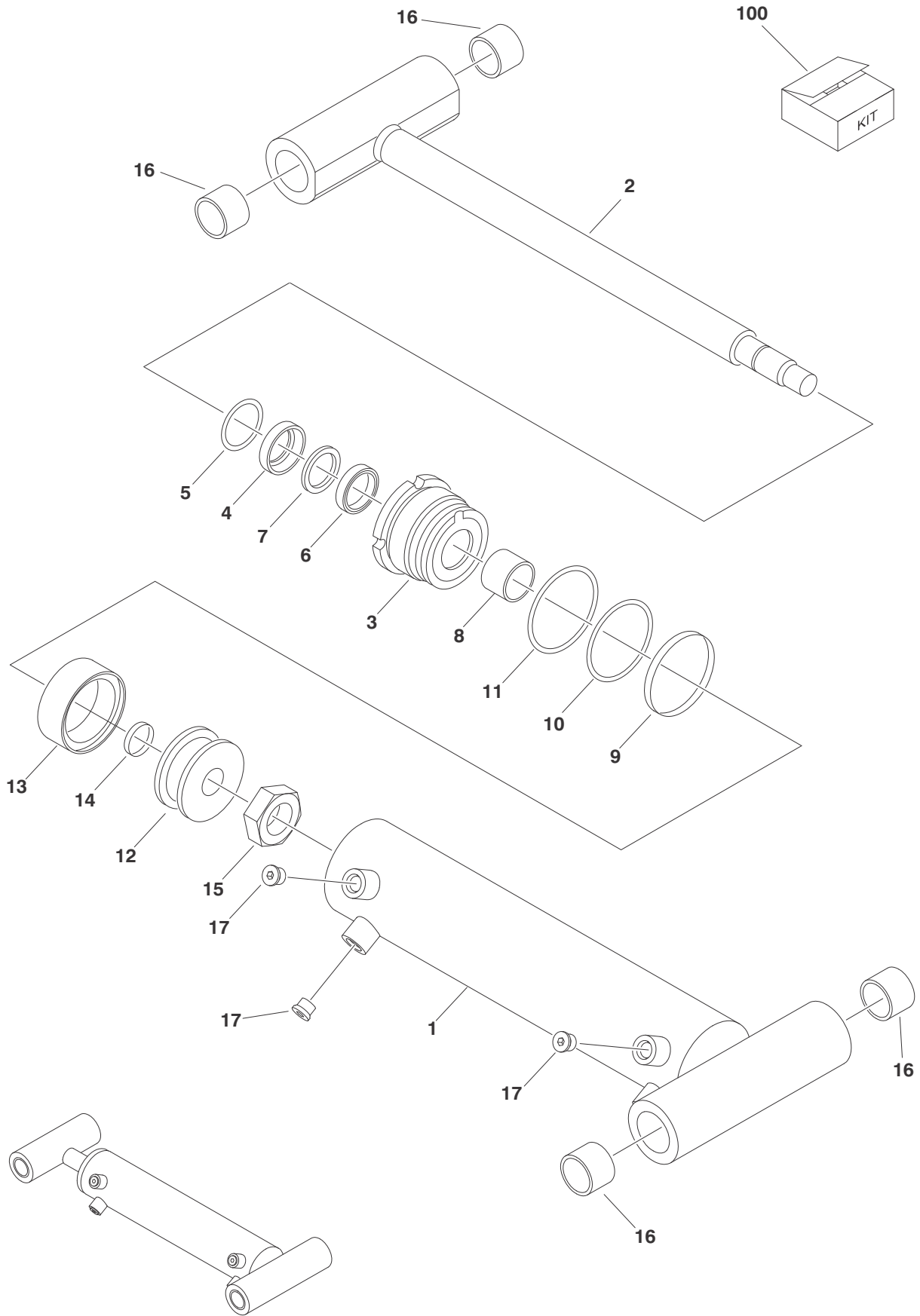
SECTION 5 CYLINDER

FIGURE 5-4. LIFT (TOWER BOOM) CYLINDER ASSEMBLY

ITEM #	PART NUMBER	QTY.	DESCRIPTION	REV.
	1001107886	Ref	LIFT (TOWER BOOM) CYLINDER ASSEMBLY	D
1	70002340	1	Barrel Weldment	
2	70002339	1	Rod Weldment	
3	70002338	1	Head	
4	Use70002332	1	Wiper	
5	70002410	1	Ring, Retaining	
6	Use 70002332	1	Seal, Rod	
7	Use 70002332	1	Ring, Back-up	
8	70002337	1	Ring, Wear	
9	Use 70002332	1	O-Ring	
10	Use 70002332	1	Ring, Back-up	
11	Use 70002332	1	O-Ring	
12	70002336	1	Piston	
13	Use 70002332	1	Seal, Piston	
14	Use 70002332	1	O-Ring	
15	70002335	1	Nut	
	0100071	AR	Compound, Locking	
16	70002387	1	Cartridge, Valve (Counterbalance)	
	2900770	1	Seal Kit - 70002387 Valve (1 Per Assembly)	
17	7024884	1	Cartridge, Valve (2 Way Poppet)	
	7012967	1	Seal Kit - 7024884 Valve (1 Per Assembly)	
	70002386	1	Coil	
18	7012955	1	Cartridge, Valve (Check)	
	7012967	1	Seal Kit - 7012955 Valve (1 Per Assembly)	
19	See Note	3	Plug, O-Ring (Note: Not Available for Purchase)	
20	70002334	1	Orifice	
21	70002333	2	Bearing	
22	Not Used			
23	70002409	2	Bearing	
100	70002332	1	----- Seal Kit (Includes Items 4,6,7,9,10,11,13 & 14)	

SECTION 5 CYLINDER

FIGURE 5-5. MASTER CYLINDER ASSEMBLY



SECTION 5 CYLINDER

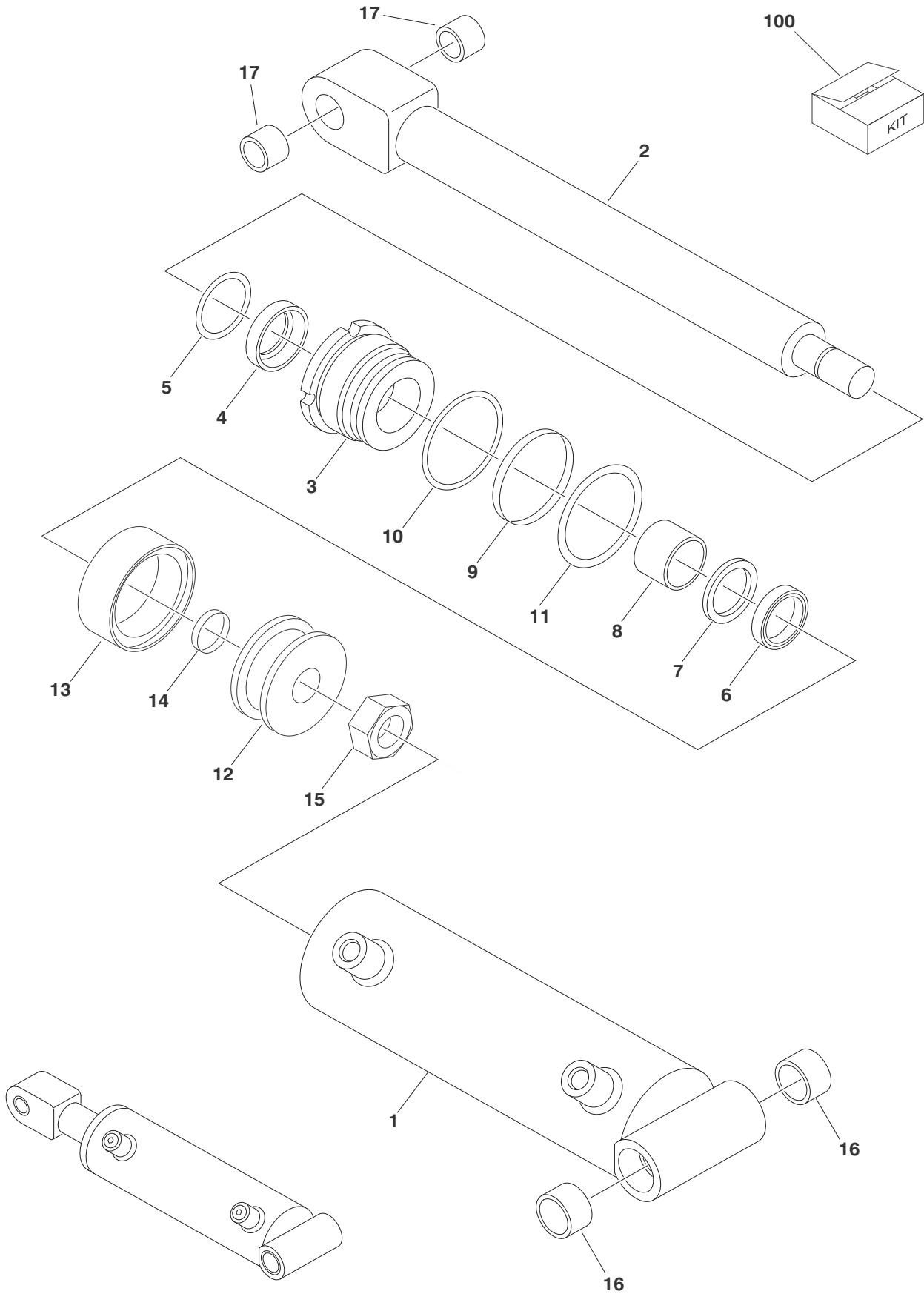
FIGURE 5-5. MASTER CYLINDER ASSEMBLY

ITEM #	PART NUMBER	QTY.	DESCRIPTION	REV.
	1001105989	Ref	MASTER CYLINDER ASSEMBLY	C
1	70002355	1	Barrel Weldment	
2	70002354	1	Rod Weldment	
3	70002359	1	Head	
4	Use 70002350	1	Wiper	
5	70002366	1	Ring, Retaining	
6	Use 70002350	1	Seal, Rod	
7	Use 70002350	1	Ring, Back-up	
8	70002352	1	Ring, Wear	
9	Use 70002350	1	O-Ring	
10	Use 70002350	1	Ring, Back-up	
11	Use 70002350	1	O-Ring	
12	70002381	1	Piston	
13	Use 70002350	1	Seal, Piston	
14	Use 70002350	1	O-Ring	
15	70002335	1	Nut	
	0100071	AR	Compound, Locking	
16	70002333	4	Bearing	

100	70002350	1	Seal Kit (Includes Items 4,6,7,9,10,11,13 & 14)	

SECTION 5 CYLINDER

FIGURE 5-6. STEER CYLINDER ASSEMBLY



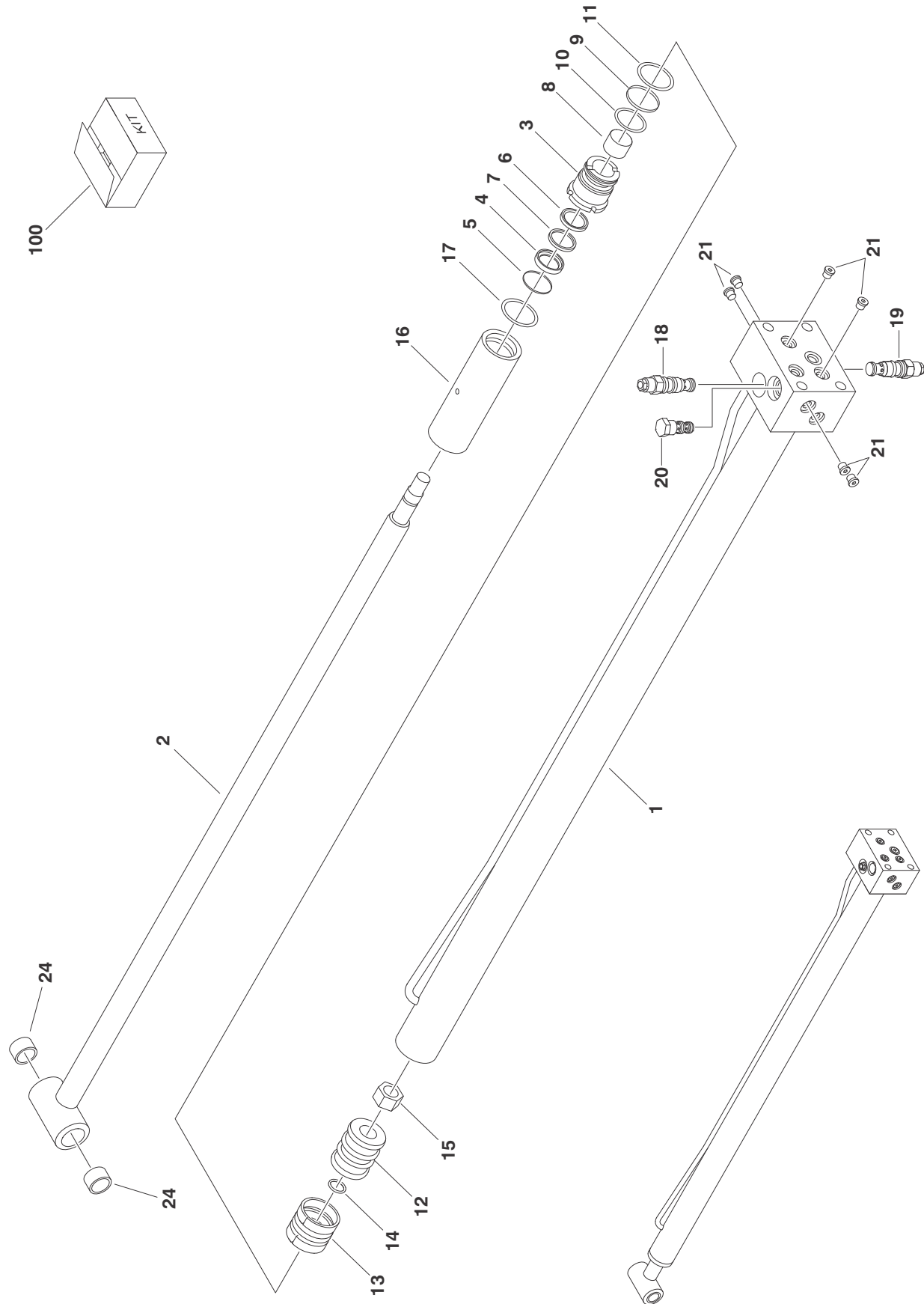
SECTION 5 CYLINDER

FIGURE 5-6. STEER CYLINDER ASSEMBLY

ITEM #	PART NUMBER	QTY.	DESCRIPTION	REV.
	1001108310	Ref	STEER CYLINDER ASSEMBLY	C
1	70002384	1	Barrel Weldment	
2	70002383	1	Rod Weldment	
3	70002382	1	Head	
4	Use 70002379	1	Wiper	
5	70002373	1	Ring, Retaining	
6	Use 70002379	1	Seal, Rod	
7	Use 70002379	1	Ring, Back-up	
8	70022586	1	Ring, Wear	
9	Use 70002379	1	O-Ring	
10	Use 70002379	1	Ring, Back-up	
11	Use 70002379	1	O-Ring	
12	70002381	1	Piston	
13	Use 70002379	1	Seal, Piston	
14	Use 70002379	1	O-Ring	
15	70002335	1	Nut	
	0100071	AR	Compound, Locking	
16	70002363	2	Bearing	
17	70002380	2	Bearing	
100	70002379	1	----- Seal Kit (Includes Items 4,6,7,9,10,11,13 & 14)	

SECTION 5 CYLINDER

FIGURE 5-7. TELESCOPE CYLINDER ASSEMBLY



SECTION 5 CYLINDER

FIGURE 5-7. TELESCOPE CYLINDER ASSEMBLY

ITEM #	PART NUMBER	QTY.	DESCRIPTION	REV.
		Ref	TELESCOPE CYLINDER ASSEMBLY	
	Use 1001120974	Ref	E300AJ (SN 0300138358 to SN 0300157824) (was p/n 1001106878)	C/C
	1001120974	Ref	E300AJ (SN 0300157824 to Present)	C
	1001106879	Ref	E300AJP	D
1		1	Barrel Weldment Options: 1001106878 & 1001106879 Cylinders 1001120974 Cylinders	
2		1	Rod Weldment Options: 1001106878 & 1001106879 Cylinders 1001120974 Cylinders	
3		1	Head Options: 1001106878 & 1001106879 Cylinders 1001120974 Cylinders	
4	See Note	1	Wiper (Note: Use Item 100)	
5	70002366	1	Ring, Retaining	
6	See Note	1	Seal, Rod (Note: Use Item 100)	
7	See Note	1	Ring, Back-up (Note: Use Item 100)	
8	70002352	1	Ring, Wear	
9	See Note	1	O-Ring (Note: Use Item 100)	
10	See Note	1	Ring, Back-up (Note: Use Item 100)	
11	See Note	1	O-Ring (Note: Use Item 100)	
12		1	Piston Options: 1001106878 & 1001106879 Cylinders 1001120974 Cylinders	
13	See Note	1	Seal, Piston (Note: Use Item 100)	
14	See Note	1	O-Ring (Note: Use Item 100)	
15	70002335	1	Nut	
16	0100071	AR	Compound, Locking	
17		1	Spacer Options: E300AJ E300AJP	
18	See Note	1	O-Ring (Note: Use Item 100)	
19	4640771	1	Cartridge, Valve (Counterbalance)	
20	2900770	1	Seal Kit - 4640771 Valve (1 Per Assembly)	
21	70002389	1	Cartridge, Valve (Counterbalance)	
22 to 23	2900770	1	Seal Kit - 70002389 Valve (1 Per Assembly)	
24	Use 10837580	1	Cartridge, Valve (Load Shuttle) (was p/n 7010542)	
100	7010543	1	Seal Kit - 10837580 & 7010542 Valves (1 Per Assembly)	
100	70023370	6	Plug, O-Ring	
100	Not Used			
100		2	Bearing 1001106878 & 1001106879 Cylinders 1001120974 Cylinders	
100		1	Seal Kit Options (Includes Items 4,6,7,9,10,11,13,14 & 17): 1001106878 & 1001106879 Cylinders 1001120974 Cylinders	

SECTION 5 CYLINDER

FIGURE 5-7. TELESCOPE CYLINDER ASSEMBLY (CONTINUED)

ITEM #	PART NUMBER	QTY.	DESCRIPTION	REV.

SECTION 6 HYDRAULIC

SECTION 6 HYDRAULIC

FIGURE 6-1. HYDRAULIC DIAGRAM - E300AJ

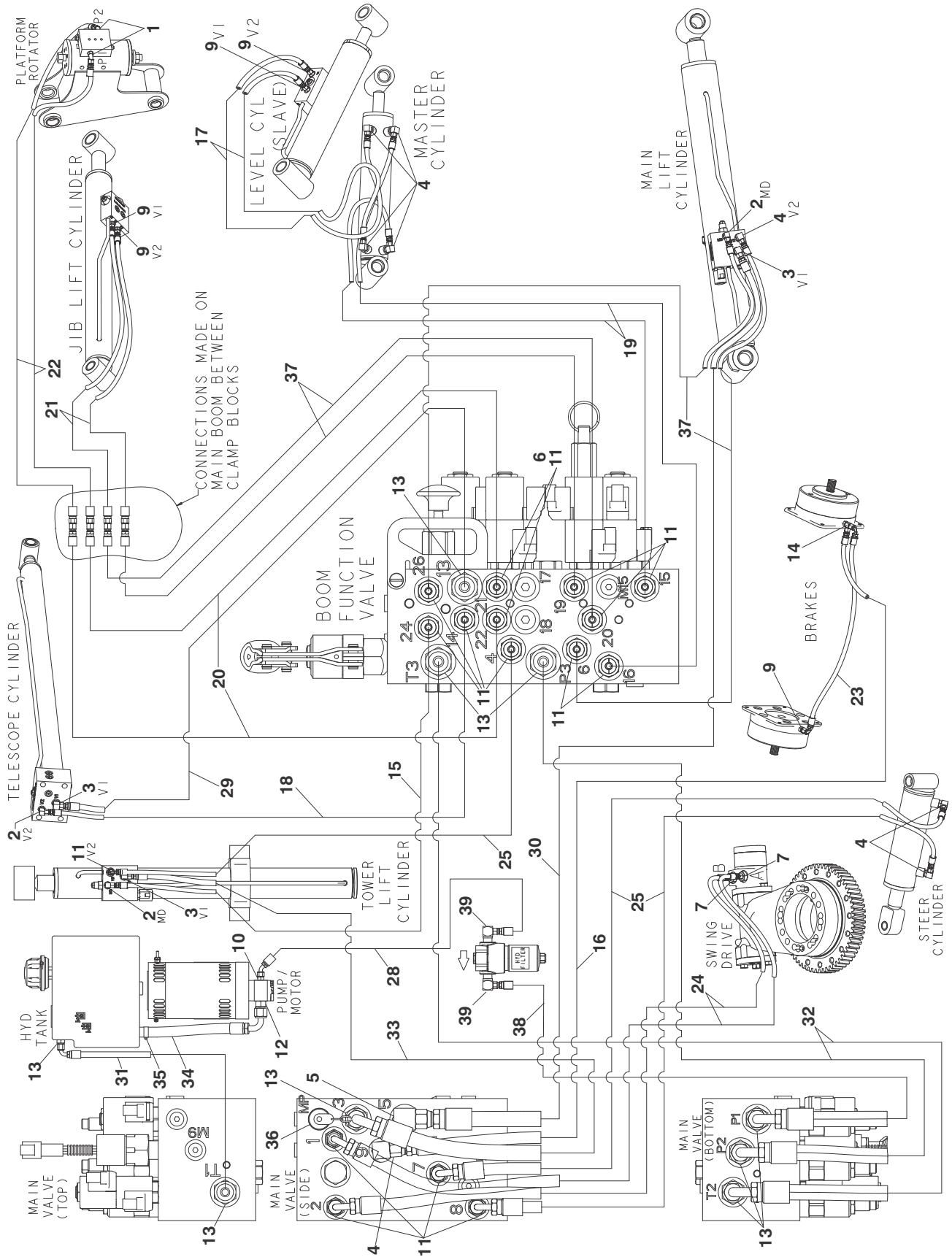


FIGURE 6-1. HYDRAULIC DIAGRAM - E300AJ

ITEM #	PART NUMBER	QTY.	DESCRIPTION	REV.
	1001109711	Ref	HYDRAULIC DIAGRAM - E300AJ	H
1	2220502	2	Fitting, 45 Elbow	
2	2220466	3	Fitting, 90 Elbow	
3	2220473	3	Fitting, 45 Elbow	
4	2220472	8	Fitting, 45 Elbow	
5	2220628	1	Fitting, 45 Elbow	
6	2220909	2	Fitting, Orifice .015	
7	2221033	2	Fitting, Straight	
8	Not Used			
9	2220415	5	Fitting, Straight	
10		1	Fitting, Straight Options:	
	2220371		SN 0300138358 to SN 030017703	
	2220372		SN 0300177037 to Present	
11	2220582	16	Fitting, Straight	
12		1	Fitting, Straight Options:	
	2220593		SN 0300138358 to SN 030017703	
	2220408		SN 0300177037 to Present	
13	2220372	9	Fitting, Straight	
14	2221034	1	Fitting, Tee	
15	2754055	1	Hose	
16	2755023	1	Hose	
17	1001109688	2	Hose	
18	2753364	1	Hose	
19	2753276	2	Hose	
20	2753279	2	Hose	
21	1001112946	2	Hose	
22	1001109686	2	Hose	
23	1001110728	1	Hose	
24	1001109687	2	Hose	
25	2752999	3	Hose	
26 to 27	Not Used			
28		1	Hose Options:	
	1001109689		SN 0300138358 to SN 0300179561	
	2752613		SN 0300179561 to Present	
29	2753137	1	Hose	
30	2753136	1	Hose	
31	1001109690	1	Hose	
32	2753812	2	Hose	
33	1001112947	1	Hose	
34		1	Hose Options:	
	1001109691		SN 0300138358 to SN 030017703	
	1001160232		SN 0300177037 to Present	
35	1320030	1	Clamp	
36	2221086	1	Fitting, Test Port	
37	1001112948	4	Hose	
41	2752473	1	Hose (SN 0300179561 to Present)	
42	2221048	2	Fitting, Elbow (SN 0300179561 to Present)	

SECTION 6 HYDRAULIC

FIGURE 6-2. DRIVE HYDRAULIC DIAGRAM - E300AJP

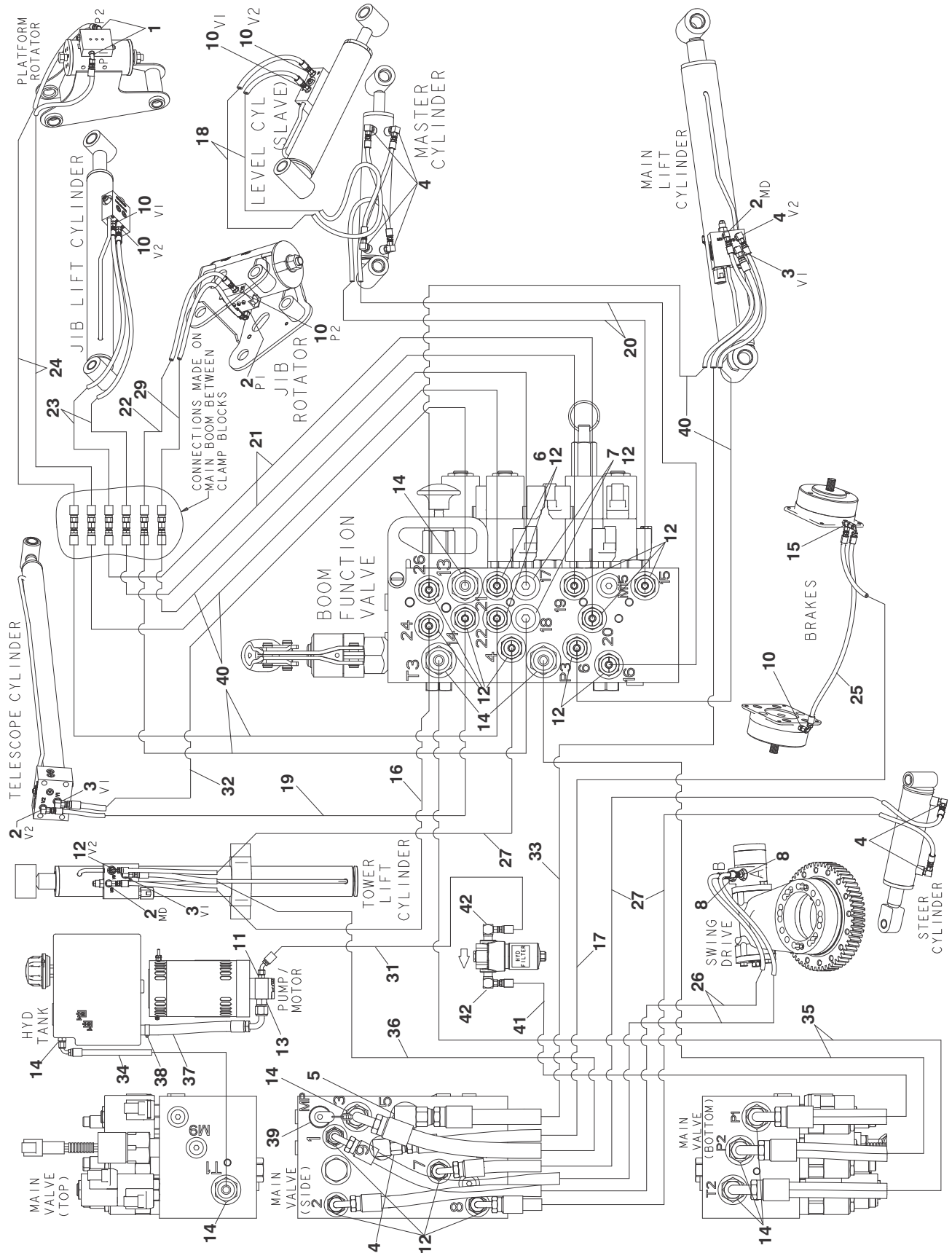


FIGURE 6-2. DRIVE HYDRAULIC DIAGRAM - E300AJP

ITEM #	PART NUMBER	QTY.	DESCRIPTION	REV.
	1001109710	Ref	HYDRAULIC DIAGRAM - E300AJP	H
1	2220502	2	Fitting, 45 Elbow	
2	2220466	4	Fitting, 90 Elbow	
3	2220473	3	Fitting, 45 Elbow	
4	2220472	8	Fitting, 45 Elbow	
5	2220628	1	Fitting, 45 Elbow	
6	2220909	2	Fitting, Orifice .015	
7	2221039	2	Fitting, Orifice .022	
8	2221033	2	Fitting, Straight	
9	Not Used			
10	2220415	6	Fitting, Straight	
11		1	Fitting, Straight Options: 2220371 SN 0300138358 to SN 030017703 2220372 SN 0300177037 to Present	
12	2220582	18	Fitting, Straight	
13		1	Fitting, Straight Options: 2220593 SN 0300138358 to SN 030017703 2220408 SN 0300177037 to Present	
14	2220372	9	Fitting, Straight	
15	2221034	1	Fitting, Tee	
16	2754055	1	Hose	
17	2755023	1	Hose	
18	1001109688	2	Hose	
19	2753364	1	Hose	
20	2753276	2	Hose	
21	2753279	2	Hose	
22	1001109683	1	Hose	
23	1001112946	2	Hose	
24	1001109686	2	Hose	
25	1001110728	1	Hose	
26	1001109687	2	Hose	
27	2752999	3	Hose	
28	Not Used			
29	1001109682	1	Hose	
30	Not Used			
31		1	Hose Options: 1001109689 SN 0300138358 to SN 0300179561 2752613 SN 0300179561 to Present	
32	2753137	1	Hose	
33	2753136	1	Hose	
34	1001109690	1	Hose	
35	2753812	2	Hose	
36	1001112947	1	Hose	
37		1	Hose Options: 1001109691 SN 0300138358 to SN 030017703 1001160232 SN 0300177037 to Present	
38	1320030	1	Clamp	
39	2221086	1	Fitting, Test Port	

SECTION 6 HYDRAULIC

FIGURE 6-2. DRIVE HYDRAULIC DIAGRAM - E300AJP (CONTINUED)

ITEM #	PART NUMBER	QTY.	DESCRIPTION	REV.
40	1001112948	4	Hose	
41	2752473	1	Hose (SN 0300179561 to Present)	
42	2221048	2	Fitting, Elbow (SN 0300179561 to Present)	

SECTION 6 HYDRAULIC

FIGURE 6-2. DRIVE HYDRAULIC DIAGRAM - E300AJP (CONTINUED)

ITEM #	PART NUMBER	QTY.	DESCRIPTION	REV.

SECTION 6 HYDRAULIC

FIGURE 6-3. HYDRAULIC DIAGRAM LIST

ITEM #	PART NUMBER	QTY.	DESCRIPTION	REV.
		Ref	Note: Diagrams with asterisk (*) are shown in the preceding pages. Information on diagrams not shown is available from JLG Service/Parts Departments.	Ref
	1001109711*	Ref	Hydraulic Diagrams: E300AJ E300AJP	
	1001109710*	Ref		
	1001112910	Ref		Standard Hydraulic Schematic

SECTION 7 ELECTRICAL

SECTION 7 ELECTRICAL

FIGURE 7-1. ELECTRICAL DIAGRAM LIST

ITEM #	PART NUMBER	QTY.	DESCRIPTION	REV.
		Ref	Note: Diagrams with asterisks (*) are shown in the following pages. Diagrams not shown are available from the JLG Service Department.	
	4933100	Ref	DRIVE ELECTRICAL DIAGRAM	
	1001109357	Ref	GROUND CONTROL BOX ELECTRICAL DIAGRAM	
	1001109859	Ref	PLATFORM CONSOLE ELECTRICAL DIAGRAM	
	1001108541	Ref	STANDARD ELECTRICAL SCHEMATIC	
	1001109358	Ref	VALVE ELECTRICAL DIAGRAM	

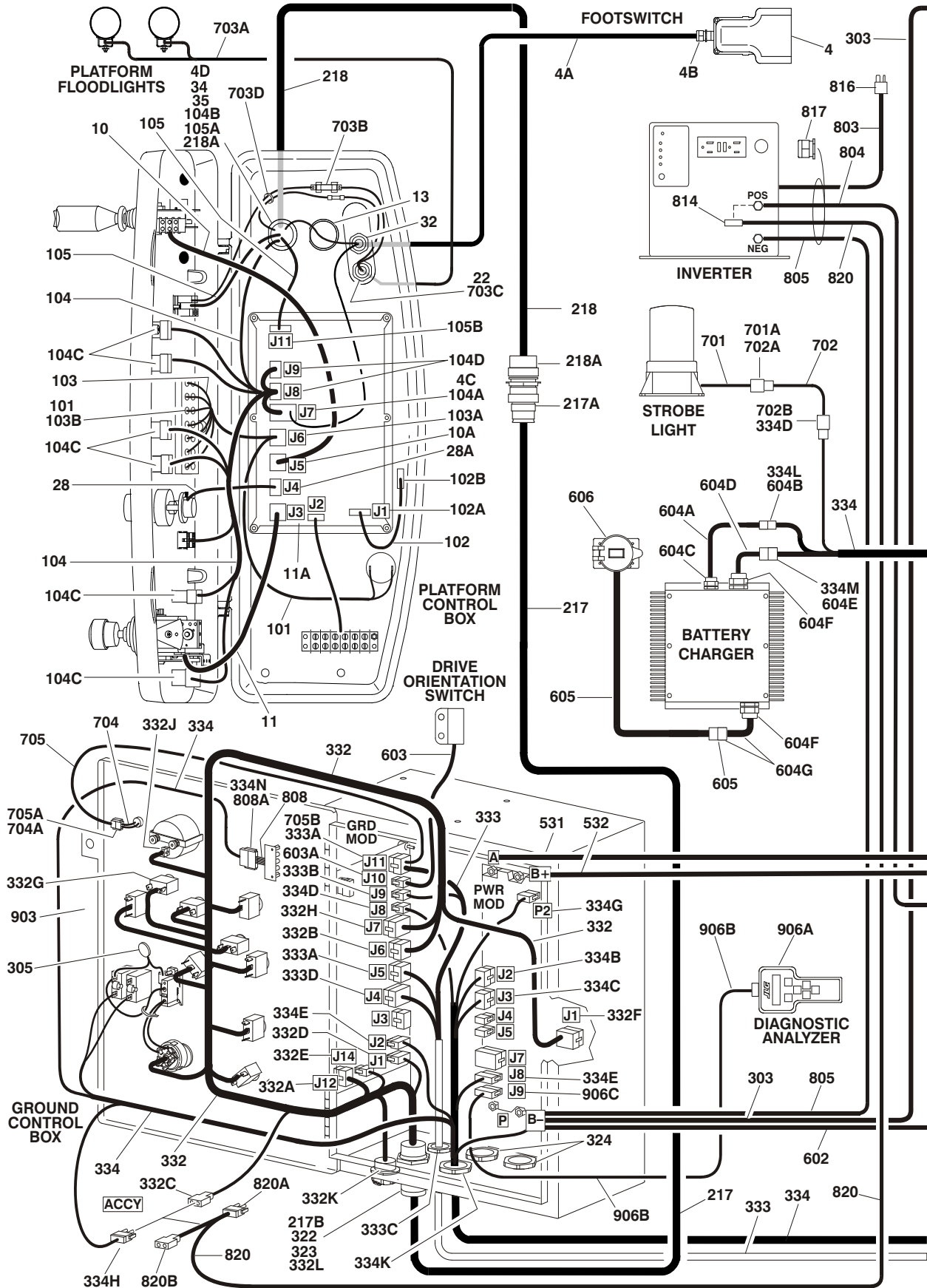
SECTION 7 ELECTRICAL

FIGURE 7-1. ELECTRICAL DIAGRAM LIST (CONTINUED)

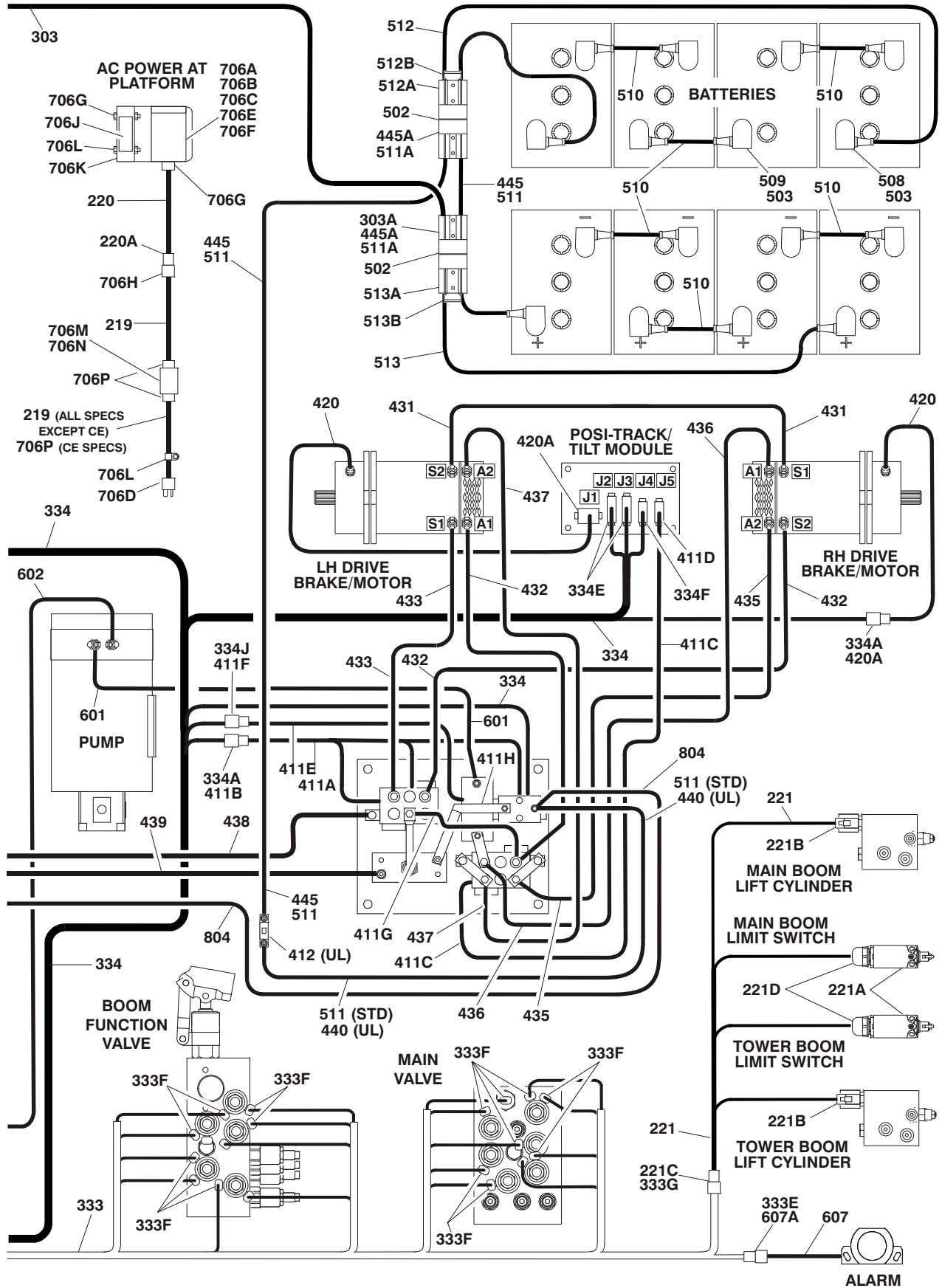
ITEM #	PART NUMBER	QTY.	DESCRIPTION	REV.

SECTION 7 ELECTRICAL

FIGURE 7-2. HARNESS COMPONENTS INSTALLATION



SECTION 7 ELECTRICAL



SECTION 7 ELECTRICAL

FIGURE 7-2. HARNESS COMPONENTS INSTALLATION

ITEM #	PART NUMBER	QTY.	DESCRIPTION	REV.
	1001109857	Ref	PLATFORM CONSOLE BOX COMPONENTS	D
1 to 3	Not Used			
4		Ref	Footswitch Components	
	4460042	3	Terminal, Ring	
4A	1060330	AR	Cable 16/3	
4B	4460071	1	Connector, Strain Relief	
4C	4460226	1	Socket, Female	
4D	4460464	1	Pin, Male	
5 to 9	Not Used			
10	7019191	1	Electrical Assembly - Drive/Steer (Includes Potentiometer)	
10A	4460265	1	Connector, Male - 9 Position	
	4460226	7	Socket, Female	
11	7019195	1	Electrical Assembly - Lift/Swing (Includes Potentiometer)	
11A	4460265	1	Connector, Male - 9 Position	
	4460226	8	Socket, Female	
12	Not Used			
13	1001110435	1	Plug	
14 to 21	Not Used			
22	3520030	1	Plug	
23 to 27	Not Used			
28	See Note	1	Harness, Flow Control (Note: Not Available - Purchase Complete Controller)	
28A	4460225	1	Plug, Male - 6 Position	
	4460226	4	Socket, Female	
29 to 31	Not Used			
32	4460428	1	Connector, Strain Relief	
33	Not Used			
34	4460496	1	Lockwasher, Terminal	
35	4460497	1	Nut, Terminal	
	1001109859	Ref	PLATFORM CONSOLE ELECTRICAL DIAGRAM	A
101	2920129	7	Bulb, Light	
102	4922160	1	Harness, Analyzer	3/C
102A	4460321	1	Connector, Male - 4 Position	
	4460226	4	Socket, Female	
102B	4460761	1	Connector, Female - 4 Position	
	4460227	4	Pin, Male	
103	1001109860	1	Harness, Indicator Lamp	B
103A	4460265	1	Connector, Male - 9 Position	
	4460227	8	Pin, Male	
103B	4120035	5	Base, Light	
	4460634	6	Terminal (16 Gauge)	
	4460635	4	Terminal (12 Gauge)	
104	1001109861	1	Harness, Switch Function	B
104A	4460434	2	Plug, Male - 15 Position	
	4460226	12	Socket, Female	
104B	4460464	2	Pin, Male	

SECTION 7 ELECTRICAL

FIGURE 7-2. HARNESS COMPONENTS INSTALLATION (CONTINUED)

ITEM #	PART NUMBER	QTY.	DESCRIPTION	REV.
104C	4460418	6	Connector, Female - 6 Position	
	4460419	18	Socket, Female	
104D	4460225	2	Plug, Male - 6 Position	
	4460227	8	Pin, Male	
105	1001109862	1	Harness, Console Box	B
105A	4460752	1	Connector - 14 Position	
	4460464	7	Pin, Male	
105B	4460321	1	Connector, Male - 4 Position	
	4460227	4	Pin, Male	
		Ref	BOOM CABLES INSTALLATION	
	1001109562	Ref	E300AJ	D
	1001109563	Ref	E300AJP	D
201 to 216	Not Used			
217	1001109754	1	Harness Assembly - Tower Boom (Console Function)	C
217A	1001109484	1	Connector - 14 Position	
	4460464	12	Pin, Male	
	4460466	2	Seal, Plug	
	1001101024	1	Boot	
	1001101025	1	Grommet	
217B	1001109485	1	Connector - 14 Position	
	4460465	12	Socket, Female	
	4460466	2	Seal, Plug	
	1001101024	1	Boot	
	1001101025	1	Grommet	
218	1001109755	1	Harness Assembly - Main Boom (Console Function)	C
218A	1001109485	2	Connector - 14 Position	
	4460465	24	Socket, Female	
	4460466	4	Seal, Plug	
	1001101024	2	Boot	
	1001101025	2	Grommet	
219	1001109756	1	Harness Assembly - Tower Boom (AC to Platform)	B
220	1001109757	1	Harness Assembly - Main Boom (AC to Platform)	B
220A	4460709	1	Plug, Male	
221	1001109814	AR	Harness, Limit Switch	B
221A	4360548	2	Switch, Limit	
221B	4460891	2	Plug, Male - 2 Position	
	4460465	4	Socket, Female	
221C	4460894	1	Plug, Male - 6 Position)	
	4460465	6	Socket, Female	
221D	4460968	2	Connector, Strain Relief	
	0962449	2	Bushing	
		Ref	GROUND CONTROL BOX COMPONENTS	
301 to 302	Not Used			
303	1060757	1	Cable, Negative	
303A	4460025	1	Connector, Anderson	

SECTION 7 ELECTRICAL

FIGURE 7-2. HARNESS COMPONENTS INSTALLATION (CONTINUED)

ITEM #	PART NUMBER	QTY.	DESCRIPTION	REV.
304	Not Used			
305		3in/10cm	Tube, Insulated Options:	
	2820118		SN 0300138358 to SN 0300168224	
	2820026		SN 0300168224 to Present	
	3990106	1	Limiter, In-Rush	
	4460185	1	Terminal	
	4460183	1	Terminal, Fork	
306 to 321	Not Used			
322		2	Lockwasher, Terminal Options:	
	4460496		SN 0300138358 to SN 0300143541	
	1001125784		SN 0300143541 to Present	
323		2	Nut, Terminal Options:	
	4460497		SN 0300138358 to SN 0300143541	
	1001125785		SN 0300143541 to Present	
324	4460526	2	Connector, Strain Relief	
325 to 331	Not Used			
332	1001109506	1	Harness Assembly - Ground Control Box	D
332A	4460225	1	Plug, Male - 6 Position	
	4460226	6	Socket, Female	
332B	4460265	1	Connector, Male - 9 Position	
	4460227	AR	Pin, Male	
332C	4460320	1	Plug, Male - 2 Position	
	4460227	2	Pin, Male	
332D	4460321	1	Connector, Male - 4 Position	
	4460227	4	Pin, Male	
332E	4460326	1	Connector, Male - 3 Position	
	4460226	3	Socket, Female	
332F	4460343	1	Connector, Male - 12 Position	
	4460226	7	Socket, Female	
332G	4460418	9	Connector, Female - 6 Position	
	4460419	27	Socket, Female	
332H	4460434	1	Plug, Male - 15 Position	
	4460226	14	Socket, Female	
332J	4460868	1	Plug, Male - 6 Position	
	4460877	6	Socket, Female	
332K	1001112612	1	Connector, Diagnostic Female - 9 Position	
	1001106736	1	Cap, Dust	
332L	1001109484	1	Connector - 14 Position	
	4460464	11	Pin, Male Deutsch 16 Ga	
	4460466	3	Plug, Sealing	
333	1001109594	1	Harness Assembly - Valve	C
333A	4460265	2	Connector, Male - 9 Position	
	4460226	10	Socket, Female	
333B	4460320	1	Plug, Male - 2 Position	
	4460226	2	Socket, Female	
333C	4460426	1	Connector, Strain Relief	
333D	4460434	1	Plug, Male - 15 Position	
	4460227	14	Pin, Male	

SECTION 7 ELECTRICAL

FIGURE 7-2. HARNESS COMPONENTS INSTALLATION (CONTINUED)

ITEM #	PART NUMBER	QTY.	DESCRIPTION	REV.
333E	4460539	1	Plug, Male - 3 Position	
	4460465	3	Socket, Female	
333F	4460891	19	Plug, Male - 2 Position	
	4460465	38	Socket, Female	
333G	4460899	1	Connector, Female - 6 Position	
	4460464	6	Pin, Male	
334	1001109610	1	Harness Assembly - Cable	D
334A	4460224	1	Receptacle, Female - 6 Position	
	4460226	6	Socket, Female	
334B	4460225	1	Plug, Male - 6 Position	
	4460227	4	Pin, Male	
334C	4460225	1	Plug, Male - 6 Position	
	4460226	4	Socket, Female	
334D	4460320	2	Plug, Male - 2 Position	
	4460227	4	Pin, Male	
334E	4460321	4	Plug, Male - 4 Position	
	4460227	12	Pin, Male	
334F	4460326	1	Plug, Male - 3 Position	
	4460226	3	Socket, Female	
334G	4460326	1	Plug, Male - 3 Position	
	4460227	3	Pin, Male	
334H	4460424	1	Receptacle, Female - 2 Position	
	4460226	2	Socket, Female	
334J	4460445	1	Receptacle, Female - 3 Position	
	4460227	3	Pin, Male	
334K	4460526	2	Connector, Strain Relief	
334L	1001096188	1	Plug, Male - 4 Position	
	4460509	2	Socket, Female	
	4460466	2	Plug, Sealing	
334M	4460931	1	Receptacle, Female - 8 Position	
	4460464	6	Pin, Male	
	4460466	2	Plug, Sealing	
		Ref	DRIVE ELECTRICAL COMPONENTS	
	1001109430	Ref	Standard Specs	F
	1001109431	Ref	UL Specs	H
401 to 410	Not Used			
411		Ref	Contactor Plate Components	
411A		1	Contactor Harness Options:	
	7022003	1	E300A/AJ/AJP (Standard Machines)	
	7022008	1	E300A/AJ/AJP (U/L Machines)	
411B	4460225	1	Plug, Male - 6 Position	
	4460226	6	Socket, Female	
411C	7022004	1	Posi-Track Harness	
411D	4460326	1	Plug, Male - 3 Position	
	4460227	3	Pin, Male	
411E	7022005	1	Shunt Harness	

SECTION 7 ELECTRICAL

FIGURE 7-2. HARNESS COMPONENTS INSTALLATION (CONTINUED)

ITEM #	PART NUMBER	QTY.	DESCRIPTION	REV.
411F	4460326	1	Plug, Male - 3 Position	
	4460226	3	Socket, Female	
411G	7022012	1	Cable, Power	
411H		1	Shunt/Bus Bar With Harness Assembly	
	70001052		Standard Specs	
	See Note		UL Specs (Note: Not Available for Purchase)	
412	2400062	1	Fuse 300 Amp (UL Specs Only)	
	2400044	1	Block, Fuse Mounting (UL Specs Only)	
413 to 419	Not Used			
420	Use 3990105	1	Speed Sensor Harness (P/N includes Speed Sensor)	
420A	4460225	2	Plug, Male - 6 Position	
	4460226	4	Socket, Female	
421 to 430	Not Used			
431		1	Cable, Electrical Options:	
	1060732		Standard Specs	
	1060767		UL Specs	
432		1	Cable, Electrical Options:	
	1060733		Standard Specs	
	1060768		UL Specs	
433		1	Cable, Electrical Options:	
	1060734		Standard Specs	
	1060769		UL Specs	
434		1	Cable, Electrical Options:	
	1060735		Standard Specs	
	1060770		UL Specs	
435		1	Cable, Electrical Options:	
	1060736		Standard Specs	
	1060771		UL Specs	
436		1	Cable, Electrical Options:	
	1060737		Standard Specs	
	1060772		UL Specs	
437		1	Cable, Electrical Options:	
	1060738		Standard Specs	
	1060773		UL Specs	
438		1	Cable, Electrical Options:	
	1060739		Standard Specs	
	1060862		UL Specs	
439		1	Cable, Electrical Options:	
	1060740		Standard Specs	
	1060860		UL Specs	
440		1	Cable, Electrical Options:	
	Use 1001110065		Standard Specs	
	1060847		UL Specs	
441 to 444	Not Used			
445	1060741	1	Cable Assembly (UL Specs)	
445A	4460025	2	Connector, Anderson	

SECTION 7 ELECTRICAL

FIGURE 7-2. HARNESS COMPONENTS INSTALLATION (CONTINUED)

ITEM #	PART NUMBER	QTY.	DESCRIPTION	REV.
		1	Cable Kit Options:	
	2901818		Standard Specs (Includes Items 431-439)	2
	4460025		UL Specs (Includes Items 431-438 & 440)	2
		Ref	BATTERY BOX COMPONENTS	
	1001108560	Ref	Machines with 305AH Batteries	B
	1001115997	Ref	Machines with 305AH AGM Batteries	A
	0259042	Ref	Machines with 375AH Batteries	J
501	Not Used			
502	0100048	AR	Grease, Dielectric	
503	0100051	AR	Grease, Battery Terminal	
504 to 507	Not Used			
508		AR	Boot Options:	
	See Note		Boot, Square Shape (1001108560 Installation) (Note: Not Available - Purchase Item 510 p/n 1001109833)	
	0840031		Boot "d" Shaped (1001115997 & 0259042 Installations)	
509		AR	Boot Options:	
	See Note		Boot, Square Shape (1001108560 Installation) (Note: Not Available - Purchase Item 510 p/n 1001109833)	
	0840032		Boot "b" Shaped (1001115997 & 0259042 Installations)	
510		6	Cable, Battery Options:	
	1001109833		1001108560 Installation	
	1060092		1001115997 & 0259042 Installations	
511		1	Cable Assembly Options:	
	1001110065		1001108560 Installation (Standard Spec)	
	Use 1060741		1001108560 Installation (UL Spec)	
	1060741		1001115997 & 0259042 Installations	
511A	4460025	2	Connector, Anderson	
512		1	Cable Assembly Options (Left Battery Box):	
	1001110030		1001108560 Installation	
	1060743		1001115997 & 0259042 Installations	
512A	4460025	1	Connector, Anderson	
512B	1320172	1	Handle	
513		1	Cable Assembly Options (Right Battery Box):	
	1001110066		1001108560 Installation	
	1001116018		1001115997 & 0259042 Installations	
	1060742		0259042 Installations	
513A	4460025	1	Connector, Anderson	
513B	1320172	1	Handle	
		Ref	STANDARD HARNESS COMPONENTS	
601	1001110088	1	Cable, Motor (Positive)	
	See Note	2	Boot, Red (Note: Not Available for Purchase)	
602	1001110089	1	Cable, Motor (Negative)	
	See Note	2	Boot, Black (Note: Not Available for Purchase)	
603	Use 4360517		Drive Orientation Harness (Includes Switch)	
603A	4460320	1	Plug, Male - 2 Position	
	4460227	2	Pin, Male	

SECTION 7 ELECTRICAL

FIGURE 7-2. HARNESS COMPONENTS INSTALLATION (CONTINUED)

ITEM #	PART NUMBER	QTY.	DESCRIPTION	REV.
604		Ref	Battery Charger Components:	
604A	See Note	1	Charger Power/Interlock Harness (Note: Not Available for Purchase)	
604B	70020830	1	Receptacle, Female - 4 Position	
	4460508	2	Pin, Male	
604C	See Note	1	Connector, Strain Relief (Note: Not Available for Purchase)	
604D	See Note	1	Charger Signal Harness (Note: Not Available for Purchase)	
604E	4460930	1	Plug, Male - 8 Position	
	4460465	6	Socket, Female	
604F	See Note	2	Connector, Strain Relief (Note: Not Available for Purchase)	
604G	See Note	1	AC Cord (Battery Charger Side) (Note: Not Available for Purchase)	
605	1060689	1	AC to Charger Cord (Receptacle Side)	
606		Ref	AC Receptacle/Plug to Charger Components:	
	1001103106	Ref	ANSI, ANSI Export & UL Spec	D
	1001109116	Ref	ANSI Export Spec with Locally Supplied Receptacle	D
	1001109117	Ref	Australian Spec	D
	1001109116	Ref	CE Spec - Common Components	D
	0275666	Ref	CE Spec - 110V (IEC Yellow Plug)	A
	0275667	Ref	CE Spec - 220V (IEC Blue Plug)	A
	0275663	Ref	CE Spec - 220V (CEE7 Post Ground Plug)	A
	0275664	Ref	CE Spec - 220V (CEE7 Side Ground Plug)	A
	0275665	Ref	CE Spec - 220V (AFSINT 107 Keyed Ground Plug)	A
			ANSI & ANSI Export Spec Components:	
	4460802	1	Cover, Weatherproof	
	4460803	1	Receptacle & Boot	
			ANSI Export Spec with Locally Supplied Components:	
	4460428	1	Connector, Strain Relief	
	See Note	1	Receptacle & Boot (Note: Not Available - Purchase Locally)	
			Australian Spec Components:	
	4460802	1	Cover, Weatherproof	
	4460805	1	Receptacle & Boot	
			CE Spec Component Options:	
	4460428	1	Connector, Strain Relief	
	4461196		Plug - 110V (IEC Yellow Plug)	
	4461199		Plug - 220V (IEC Blue Plug)	
	4461202		Plug - 220V (CEE7 Post Ground Plug)	
	4461205		Plug - 220V (CEE7 Side Ground Plug)	
	4461249		Plug - 220V (AFSINT 107 Keyed Ground Plug)	
607	See Note	1	Alarm Harness (Note: Not Available - Purchase Complete Alarm)	
607A	4460536	1	Receptacle, Female - 3 Position	
	4460464	3	Pin, Male	
		Ref	OPTIONAL HARNESS COMPONENTS	
701	See Note	1	Strobe Light Harness (Note: Not Available - Purchase Complete Light)	

SECTION 7 ELECTRICAL

FIGURE 7-2. HARNESS COMPONENTS INSTALLATION (CONTINUED)

ITEM #	PART NUMBER	QTY.	DESCRIPTION	REV.
701A	4460424	1	Connector, Female - 2 Position	
	4460226	2	Socket, Female	
702	1001110444	1	Strobe Light Extension Harness (Note: Now Part of Main Harness p/n 1001109610)	A
702A	4460320	1	Plug, Male - 2 Position	
	4460227	2	Pin, Male	
702B	4460424	1	Connector, Female - 2 Position	
	4460226	2	Socket, Female	
703		Ref	Platform Worklight Electrical Components	
703A	See Note	2	Platform Worklight Harness (Note: Not Available - Purchase Complete Light)	
703B	2400067	1	Fuseholder	
	2400067	1	Fuse 10Amp	
	4460260	1	Terminal	
	4460297	1	Terminal	
703C	4460428	1	Connector, Strain Relief	
703D	1001110393	1	Worklight Harness (Inside Ground Control Box)	
704	See Note	1	Indicator Lamp Harness (Note: Not Available - Purchase Complete Lamp)	
704A	4460424	1	Connector, Female - 2 Position	
	4460226	2	Socket, Female	
705	1001110383	1	Load Sensing Harness	
705A	4460320	1	Plug, Male - 2 Position	
	4460227	2	Pin, Male	
705B	4460226	2	Socket, Female	
706		Ref	AC Power to Platform Components:	
	1001110541	Ref	ANSI, ANSI Export & UL Spec - 110V GFI	B
	1001110542	Ref	ANSI Export, Australian & CE Specs with Locally Supplied Receptacle	A
	1001110543	Ref	ANSI & CSA Specs - 220V	B
	0275714	Ref	CE Spec - 110V (IEC Yellow Plug)	D
	0275715	Ref	CE Spec - 220V (IEC Blue Plug)	D
	0275711	Ref	CE Spec - 220V (CEE7 Post Ground Plug) (2X4 Box)	D
	0275716	Ref	CE Spec - 220V (CEE7 Post Ground Plug)(70mm X 70mm Box)	D
	0275712	Ref	CE & ANSI Export Specs - 220V (CEE7 Side Ground Plug) (2X4 Box)	D
	0275717	Ref	CE Spec - 220V (CEE7 Side Ground Plug)(70mm X 70mm Box)	D
	0275713	Ref	CE Spec - 220V (AFSINT 107 Keyed Ground Plug)	D
706A		1	Box, Switch Options:	
	0860038		1001110541 & 1001110543 Installations	
	See Note		1001110542 Installation	
			(Note: Not Available - Purchase Locally)	
	0861781		0275714 & 0275715 Installations	
	0861731		0275711, 0275712 & 0275713 Installations	
	See Note		0275716 & 0275717 Installations (Note: Was p/n0861782 which is no longer available. Use p/n 1001100344 CEE 7 Side Ground Service Kit or p/n 1001100343 CEE 7 Post Ground Service Kit. Kits includes Box p/n 1001141967 & items 706B-706D.)	
	1001141967		1001100343, 1001100344, 1001141970 & 1001141971 Kits	

SECTION 7 ELECTRICAL

FIGURE 7-2. HARNESS COMPONENTS INSTALLATION (CONTINUED)

ITEM #	PART NUMBER	QTY.	DESCRIPTION	REV.				
706B	4460346	1	Receptacle Options: 1001110541 Installation 1001110542 Installation (Note: Not Available - Purchase Locally) 1001110543 Installation 0275714 Installation 0275715 Installation 0275711 Installation 0275716 Installation (was p/n4461204) 0275712 Installation 0275717 Installation (was p/n 4461207) 0275713 Installation 1001100343 & 1001141971 Kit 1001100344 & 1001141970 Kit					
	See Note							
	4460125							
	4461198							
	4461201							
	4461244							
	Use 1001141971							
	4461245							
	Use 1001141970							
	4461246							
	1001141968							
	1001141969							
	706C				1001110873	1	Cover Options: 1001110541 Installation 1001110542 Installation (Note: Not Available - Purchase Locally) 1001110543 Installation 0275714 Installation 0275715 Installation 0275711 Installation 0275716 Installation (was p/n4461204) 0275712 Installation 0275717 Installation (was p/n 4461207) 0275713 Installation 1001100343 & 1001141971 Kit 1001100344 & 1001141970 Kit	
See Note								
4460092								
4461198								
4461201								
4461244								
Use 1001141971								
4461245								
Use 1001141970								
4461246								
1001141968								
1001141969								
706D		4460205	1	Plug Options: 1001110541 Installation 1001110542 Installation (Note: Not Available - Purchase Locally) 1001110543 Installation 0275714 Installation 0275715 Installation 0275711, 0275716 Installation & 1001100343 & 1001141971Kits 0275712, 0275717 Installation & 1001100344 & 1001141970 Kits 0275713 Installation				
	See Note							
	4460233							
	4461196							
	4461199							
	4461202							
	4461205							
	4461249							
	706E	3960422				1	Gasket Options: 1001110541 & 1001110543 Installations 1001110542 Installation (Note: Not Available - Purchase Locally) 0275711, 0275712, 0275713, 0275714, 0275715, 0275716, 0275717 Installations	
		See Note						
		Not Required						
	706F					AR	Hardware Options: Screw #6-32NC x 5/8in Lockwasher #6 Bolt M4 x 16mm	
		3910610						
4760600								
0700408								

SECTION 7 ELECTRICAL

FIGURE 7-2. HARNESS COMPONENTS INSTALLATION (CONTINUED)

ITEM #	PART NUMBER	QTY.	DESCRIPTION	REV.
706F (cont'd)	4811400		Flatwasher 4mm	
	3290405		Locknut M4	
706G	4460071 See Note	1	Connector, Strain Relief Options: 1001110541 & 1001110543 Installations 1001110542 Installation (Note: Not Available - Purchase Locally)	
	4460968 4460662		0275714, 0275715, 0275716 & 0275717 Installations 0275711, 0275712 & 0275713 Installations	
706H	4460710	1	Receptacle, Female Twist Lock	
706J	3251243 See Note	1	Decal - Voltage Options: 1001110541 Installation 1001110542 Installation (Note: Not Available For Purchase)	
	3252507		0275711, 0275712, 0275713, 0275715, 0275716, 0275717 & 1001110543 Installations	
	1705325		0275714 Installation	
706K	Not Required 0903484	1	Bracket, Receptacle Box Options: 1001110541, 1001110542, 1001110543 Installations 0275711, 0275712, 0275713, 0275714, 0275715, 0275716, 0275717 Installations	
706L	0641407 0641416 4711400 4751400 3311405 1320041	AR	Hardware Options (0275711, 0275712, 0275713, 0275714, 0275715, 0275716, 0275717 Installations Only): Bolt 1/4in-20NC x 7/8in Bolt 1/4in-20NC x 2in Flatwasher 1/4in Thin Flatwasher 1/4in Regular Locknut 1/4in-20NC Clamp	
706M	Not Required 0903612	1	Bracket, Breaker Box Options: 1001110541, 1001110542, 1001110543 Installations 0275711, 0275712, 0275713, 0275714, 0275715, 0275716, 0275717 Installations	
706N	Not Required 0903484	1	Circuit Breaker Kit Options: 1001110541, 1001110542, 1001110543 Installations 0275711, 0275712, 0275713, 0275714, 0275715, 0275716, 0275717 Installations	
	0861880	1	Box, Breaker	
	1001109475	1	Breaker, Circuit - 16Amp	
	1001109482	1	Breaker, Circuit - 30mAmp	
	4460956	1	Barrier, Terminal Block End	
	4460956	1	Block, Terminal	
706P	10011097150	2	Connector, Strain Relief	
706R	1060908	6ft/1.82m	Cable, Electrical - 12/3	
	See Note		----- Switch Box, Receptacle & Plug Kit Options: 1001110541, 1001110542 & 1001110543 Installations (Note: Purchase Individual Components)	
	0275216		0275714 Installation (Includes Items 706A, 706B, 706C & 706D)	

SECTION 7 ELECTRICAL

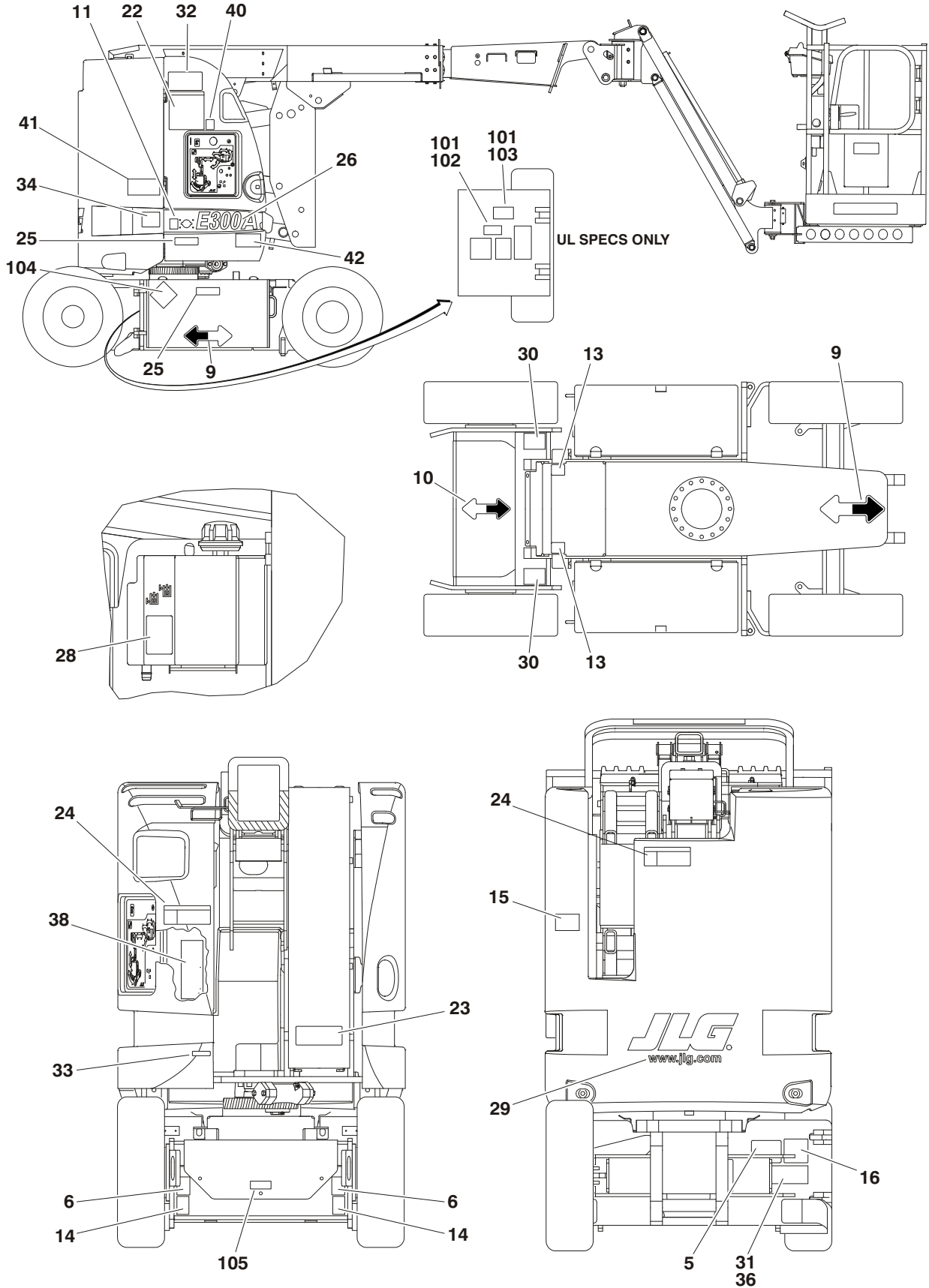
FIGURE 7-2. HARNESS COMPONENTS INSTALLATION (CONTINUED)

ITEM #	PART NUMBER	QTY.	DESCRIPTION	REV.
	0275217		0275715 Installation (Includes Items 706A, 706B, 706C & 706D)	
	0275452		0275711 Installation (Includes Items 706A, 706B, 706C & 706D)	
	Use 1001100343		0275716 Installation (Includes Items 706A, 706B, 706C & 706D) (was p/n0275218)	
	0275453		0275712 Installation (Includes Items 706A, 706B, 706C & 706D)	
	Use 1001100344		0275717 Installation (Includes Items 706A, 706B, 706C & 706D) (was p/n 0275219)	
	0275454		0275713 Installation (Includes Items 706A, 706B, 706C & 706D)	
	1001110271	Ref	INVERTER ELECTRICAL COMPONENTS (OPTIONAL)	B
801 to 802	Not Used			
803	1060494	12ft/3.7m	Cable, Electrical - 12/3	
804	1060801	1	Cable, Inverter (+)	
805	1060802	1	Cable, Inverter (-)	
806 to 813	Not Used			
814	4460035	1	Terminal, Butt	
815	4460135	1	Receptacle, Female Twist-Lock	
816	4460138	1	Plug, Male	
817	4460426	1	Connector, Strain Relief	
818 to 819	Not Used			
820	1001110449	1	Harness, Inverter	
820A	4460320	1	Plug, Male - 2 Position	
	4460227	2	Pin, Male	
820B	4460424	1	Connector, Female - 2 Position	
	4460226	2	Socket, Female	
		Ref	TOOLS	
901	7002821	1	Crimper (For Wire to Pin/Socket Connections) (Not Shown)	
902	7002823	1	Extractor (For Removal of Pin/Socket from Connectors) (Not Shown)	
903	4460467	1	Extractor, Pin (Blue 16-18 Gauge) (For Removal of Pin/Socket from Connectors) (Not Shown)	
904	4460510	1	Extractor, Pin (Yellow 12-14 Gauge) (For Removal of Pin/Socket from Connectors) (Not Shown)	
905	7002828	1	Stripper, Wire (Not Shown)	
906	2901443	1	Analyzer Kit (Not Shown)	
906A	1600244	1	Analyzer	
906B	1060633	1	Cable, Analyzer	1/A
906C	4460321	2	Plug, Male	
	4460226	8	Socket, Female	
907	1001137005	1	Software Cable Kit (Not Shown)	

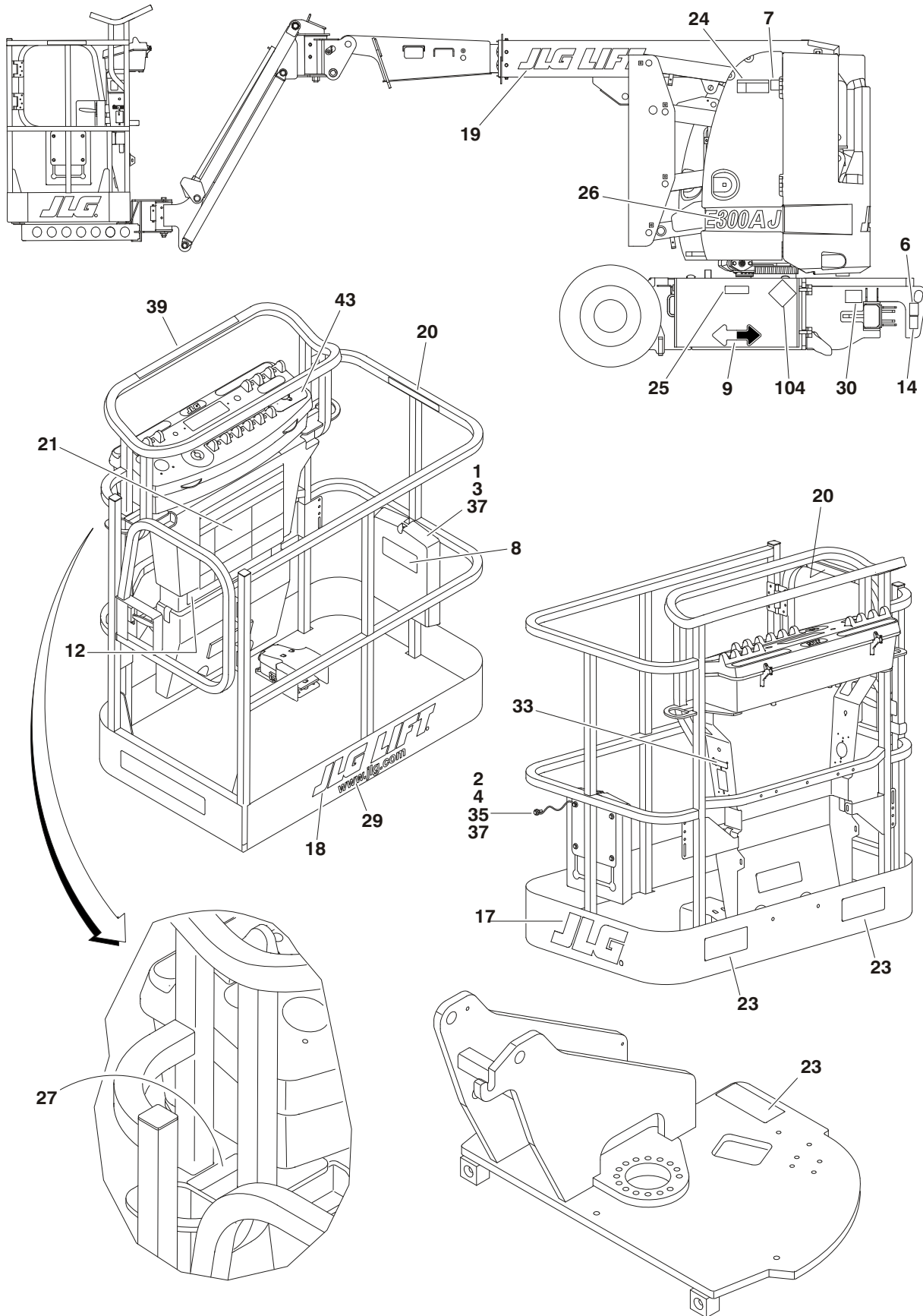
SECTION 8 DECALS

SECTION 8 DECALS

FIGURE 8-1. DECAL INSTALLATION (ANSI SPEC)



SECTION 8 DECALS



SECTION 8 DECALS

FIGURE 8-1. DECAL INSTALLATION (ANSI SPEC)

ITEM #	PART NUMBER	QTY.	DESCRIPTION	REV.
		Ref	STANDARD DECAL INSTALLATIONS	
	1001109493	Ref	ANSI Spec	F
	1001110613	Ref	E300AJ JLG Logo Decals	B
	1001115980	Ref	E300AJP JLG Logo Decals	B
1	0641406	4	Bolt 1/4in-20NC x 3/4in	
2	0641408	1	Bolt 1/4in-20NC x 1in	
3	0860520	1	Box, Manual Storage	
4	1060279	1	Cable, Lanyard	
5		1	Decal - Patent Options:	
	1700584		SN 0300138358 to SN 0300161220	
	1001131269		SN 0300161220 to Present	
6	1701500	4	Decal - Lift	
7	1701504	1	Decal - Hydraulic Oil	
8	1701509	1	Decal - Manual	
9	1701529	3	Decal - Arrow 12in	
10	1701642	1	Decal - Arrow 9in	
11	1701644	1	Decal - Battery Charger	
12		1	Decal - 500Lbs Capacity Options:	
	1701645		SN 0300138358 to SN 0300142882	
	1001121801		SN 0300142882 to Present	
13	1702155	2	Decal - Battery Disconnect	
14	1702300	4	Decal - Tie Down	
15	1702391	1	Decal - Hand Crushing	
16	See Note	1	Decal - Bar Code (Note: Not Available for Purchase)	
17		1	Decal Options:	
	1702773		JLG (E300AJ)	
	1704200		Jib Plus (E300AJP)	
18	1702774	1	Decal - JLG Lift 3in	
19	1702860	1	Decal - JLG Lift 5in	
20	1702868	2	Decal - No Hands	
21	1703797	1	Decal - Danger/Warning	
22	1703798	1	Decal - Warning/Danger	
23	1703804	4	Decal - Warning Crushing	
24	1703805	3	Decal - Electrocution	
25	1703813	3	Decal - Warning Battery Ventilation	
26		2	Decal - Model Designation	
	1704199		E300AJ	
	1704267		E300AJP	
27	1704277	2	Decal - Lanyard Attach Graphic	
28	1704412	1	Decal - Hydraulic Oil	
29	1704885	AR	Decal - Website Options:	
		2	SN 0300138358 to SN 0300173652	
		1	SN 0300173652 to Present	
30	1706126	4	Decal - Tire Load	
31	See Note	1	Nameplate - Serial Number (Note: Not Available for Purchase)	

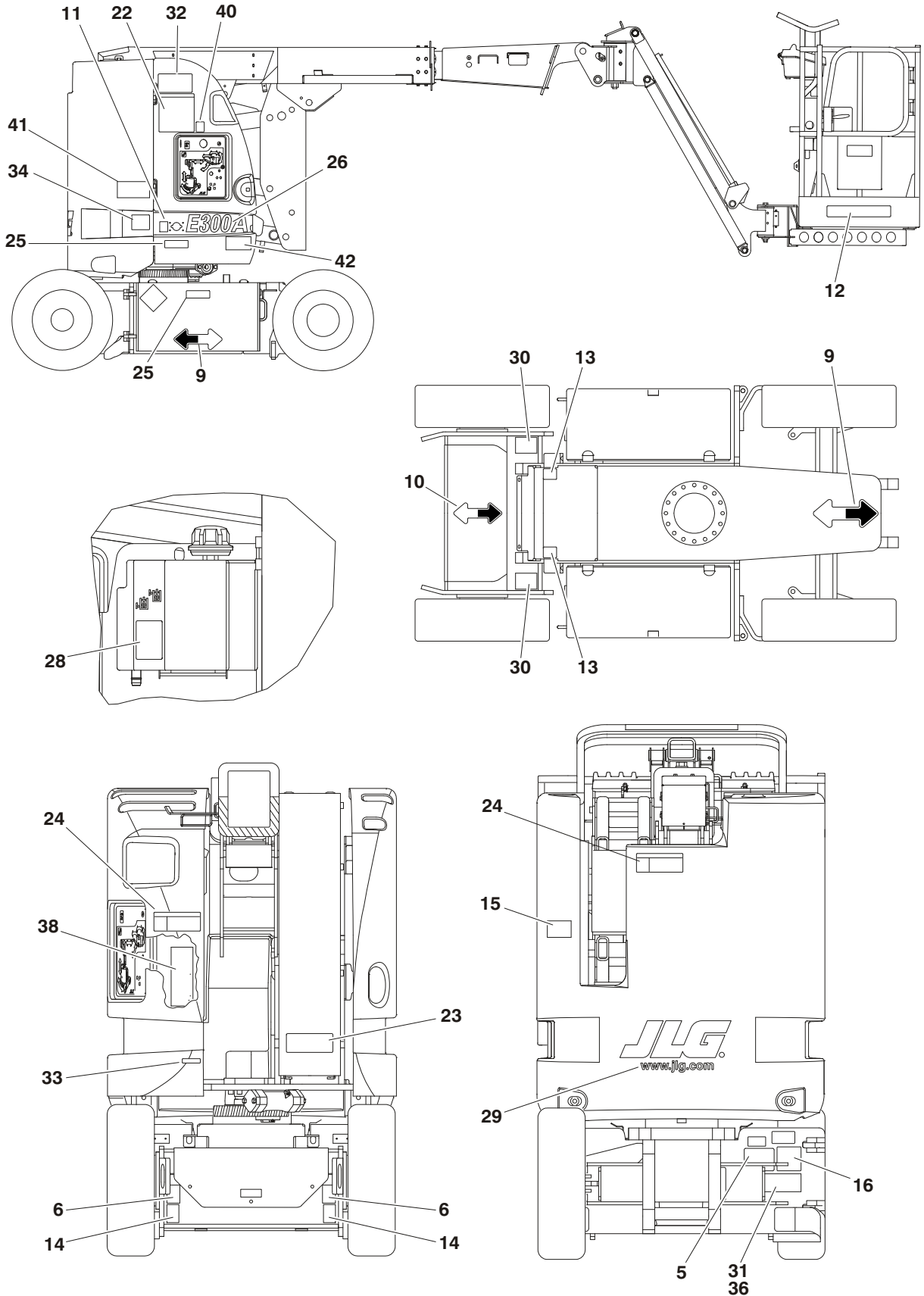
SECTION 8 DECALS

FIGURE 8-1. DECAL INSTALLATION (ANSI SPEC) (CONTINUED)

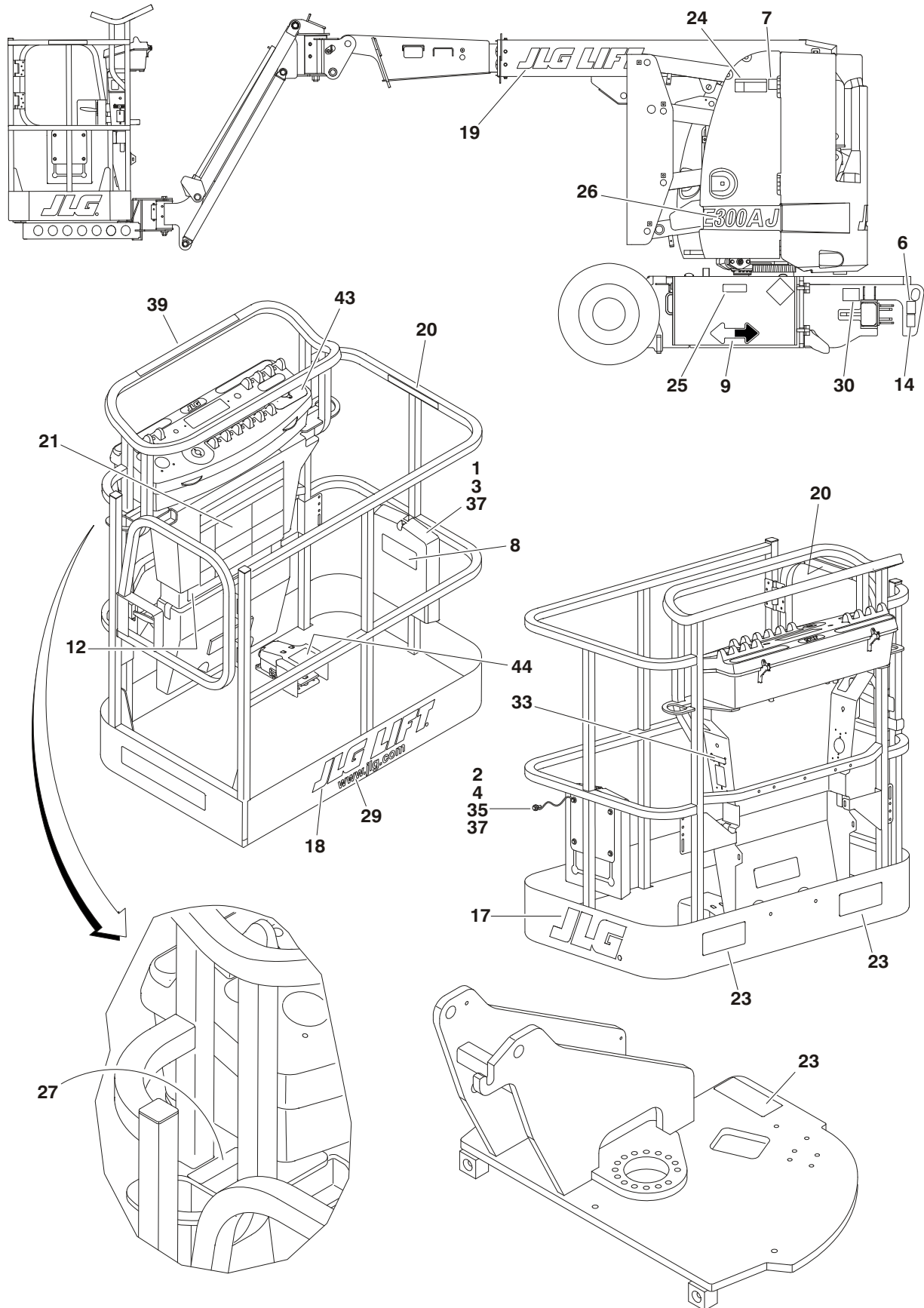
ITEM #	PART NUMBER	QTY.	DESCRIPTION	REV.
32	1707014 1001121801	1	Decal - 500Lbs Capacity Options: SN 0300138358 to SN 0300142882 SN 0300142882 to Present	
33	3251243	2	Decal - 120V-60Hz	
34	3251813	1	Decal - USA	
35	3311405	1	Locknut 1/4in-20NC	
36	3820001	2	Rivet	
37	4751400	6	Flatwasher 1/4in Regular	
38	1001110196	1	Decal - Manual Descent	
39	1001110276	1	Decal - Legend Platform	
40	1001110389	1	Decal - Legend Ground	
41	1001112461	1	Decal - Lift Diagram	
42	1001112777	1	Decal - Manual Descent	
43	1705351	1	Decal - Drive/Steer Instructions	
44	3252347	1	Decal - Foot Switch	
	0270432	Ref	UL DECALS INSTALLATION (UL SPEC ONLY)	2/A
101	3820001	8	Rivet	
102	3252331	1	Nameplate - Battery Information	
103	See Note	1	Nameplate - UL Certification (Note: Not Available for Purchase)	
104	1702251	2	Nameplate - "EE"	
105	1704720	1	Decal - Replacement Fuse	

SECTION 8 DECALS

FIGURE 8-2. DECAL INSTALLATION (COUNTRY SPECS)



SECTION 8 DECALS



SECTION 8 DECALS

FIGURE 8-2. DECAL INSTALLATION (COUNTRY SPECS)

ITEM #	PART NUMBER	QTY.	DESCRIPTION	REV.
		Ref	STANDARD DECAL INSTALLATIONS	
	1001109493	Ref	ANSI Spec (English Languages)	F
	1001110831	Ref	Brazil Spec (Portuguese/Spanish Languages)	D
	1001110830	Ref	Chinese Spec (Chinese/English Languages)	D
	1001110829	Ref	CSA Spec (French/English Languages)	E
	1001110825	Ref	Japanese Spec (Japanese/English Languages)	D
	1001110827	Ref	Korean Spec (Korean/English Languages)	D
	1001110828	Ref	Latin America Spec (Spanish/English Languages)	E
	1001110613	Ref	E300AJ JLG Logo Decals	B
	1001115980	Ref	E300AJP JLG Logo Decals	B
1	0641406	4	Bolt 1/4in-20NC x 3/4in	
2	0641408	1	Bolt 1/4in-20NC x 1in	
3	0860520	1	Box, Manual Storage	
4	1060279	1	Cable, Lanyard	
5		1	Decal - Patent Options:	
	1700584		SN 0300138358 to SN 0300161220	
	Not Required		SN 0300161220 to Present	
6	1701500	4	Decal - Lift	
7	1701504	1	Decal - Hydraulic Oil	
8	1701509	1	Decal - Manual	
9	1701529	3	Decal - Arrow 12in	
10	1701642	1	Decal - Arrow 9in	
11	1701644	1	Decal - Battery Charger	
12		2	Decal - Capacity Options:	
			SN 0300138358 to SN 0300142882	
	1707134		Brazil Spec (Portuguese/Spanish Languages)	
	1707060		Chinese Spec (Chinese/English Languages)	
	1707055		CSA Spec (French/English Languages)	
	1707059		Japanese Spec (Japanese/English Languages)	
	1707058		Korean Spec (Korean/English Languages)	
	1707056		Latin America Spec (Spanish/English Languages)	
			SN 0300142882 to Present	
	1001121801		ANSI Spec (English Languages)	
	1001121920		Brazil Spec (Portuguese/Spanish Languages)	
	1001121810		Chinese Spec (Chinese/English Languages)	
	1001121803		CSA Spec (French/English Languages)	
	1001121808		Japanese Spec (Japanese/English Languages)	
	1001121918		Korean Spec (Korean/English Languages)	
	1001121805		Latin America Spec (Spanish/English Languages)	
13	1702155	2	Decal - Battery Disconnect	
14	1702300	4	Decal - Tie Down	
15		1	Decal - Hand Crushing Options:	
	1702391		ANSI Spec (English Languages)	
	1001113170		Brazil Spec (Portuguese/Spanish Languages)	
	1001113168		Chinese Spec (Chinese/English Languages)	
	1001113169		CSA Spec (French/English Languages)	
	1001113166		Japanese Spec (Japanese/English Languages)	
	1001113509		Korean Spec (Korean/English Languages)	

SECTION 8 DECALS

FIGURE 8-2. DECAL INSTALLATION (COUNTRY SPECS) (CONTINUED)

ITEM #	PART NUMBER	QTY.	DESCRIPTION	REV.
15 cont'd	1001113171		Latin America Spec (Spanish/English Languages)	
16	See Note	1	Decal - Bar Code (Note: Not Available for Purchase)	
17		1	Decal Options:	
	1702773		JLG (E300AJ)	
	1704200		Jib Plus (E300AJP)	
18	1702774	1	Decal - JLG Lift 3in	
19	1702860	1	Decal - JLG Lift 5in	
20		2	Decal - No Hands Options:	
	1702868		ANSI Spec (English Languages)	
	1704002		Brazil Spec (Portuguese/Spanish Languages)	
	1705968		Chinese Spec (Chinese/English Languages)	
	1704000		CSA Spec (French/English Languages)	
	Not Required		Japanese Spec (Japanese/English Languages)	
	1705969		Korean Spec (Korean/English Languages)	
	1704001		Latin America Spec (Spanish/English Languages)	
21		1	Decal - Warning (Platform) Options:	
	1703797		ANSI Spec (English Languages)	
	1703928		Brazil Spec (Portuguese/Spanish Languages)	
	1703925		Chinese Spec (Chinese/English Languages)	
	1703924		CSA Spec (French/English Languages)	
	1703926		Japanese Spec (Japanese/English Languages)	
	1703927		Korean Spec (Korean/English Languages)	
	1703923		Latin America Spec (Spanish/English Languages)	
22		1	Decal - Warning (Ground Control Box) Options:	
	1703798		ANSI Spec (English Languages)	
	1703934		Brazil Spec (Portuguese/Spanish Languages)	
	1703931		Chinese Spec (Chinese/English Languages)	
	1703930		CSA Spec (French/English Languages)	
	1703932		Japanese Spec (Japanese/English Languages)	
	1703933		Korean Spec (Korean/English Languages)	
	1703929		Latin America Spec (Spanish/English Languages)	
23		4	Decal - Warning Crushing Options:	
	1703804		ANSI Spec (English Languages)	
	1703952		Brazil Spec (Portuguese/Spanish Languages)	
	1703949		Chinese Spec (Chinese/English Languages)	
	1703948		CSA Spec (French/English Languages)	
	1703950		Japanese Spec (Japanese/English Languages)	
	1703951		Korean Spec (Korean/English Languages)	
	1703947		Latin America Spec (Spanish/English Languages)	
24		3	Decal - Electrocution Options:	
	1703805		ANSI Spec (English Languages)	
	1703940		Brazil Spec (Portuguese/Spanish Languages)	
	1703937		Chinese Spec (Chinese/English Languages)	
	1703936		CSA Spec (French/English Languages)	
	1703938		Japanese Spec (Japanese/English Languages)	
	1703939		Korean Spec (Korean/English Languages)	
	1703935		Latin America Spec (Spanish/English Languages)	

SECTION 8 DECALS

FIGURE 8-2. DECAL INSTALLATION (COUNTRY SPECS) (CONTINUED)

ITEM #	PART NUMBER	QTY.	DESCRIPTION	REV.
25	1703813 1704341 1704344 1704340 1704342 1704343 1704339	3	Decal - Warning Battery Ventilation Options: ANSI Spec (English Languages) Brazil Spec (Portuguese/Spanish Languages) Chinese Spec (Chinese/English Languages) CSA Spec (French/English Languages) Japanese Spec (Japanese/English Languages) Korean Spec (Korean/English Languages) Latin America Spec (Spanish/English Languages)	
26	1704199 1704267	2	Decal - Model Designation E300AJ E300AJP	
27	1704277	2	Decal - Lanyard Attach Graphic	
28	1704412	1	Decal - Hydraulic Oil	
29	1704885	AR	Decal - Website Options:	
		2	SN 0300138358 to SN 0300173652	
		1	SN 0300173652 to Present	
30	1706126	4	Decal - Tire Load	
31	See Note	1	Nameplate - Serial Number (Note: Not Available for Purchase)	
32	1707133 1707044 1707047 1707054 1707042 1707049 1001121814 1001121923 1001121823 1001121816 1001121821 1001121921 1001121818	1	Decal - Capacity Options: SN 0300138358 to SN 0300142882 Brazil Spec (Portuguese/Spanish Languages) Chinese Spec (Chinese/English Languages) CSA Spec (French/English Languages) Japanese Spec (Japanese/English Languages) Korean Spec (Korean/English Languages) Latin America Spec (Spanish/English Languages) SN 0300142882 to Present ANSI Spec (English Languages) Brazil Spec (Portuguese/Spanish Languages) Chinese Spec (Chinese/English Languages) CSA Spec (French/English Languages) Japanese Spec (Japanese/English Languages) Korean Spec (Korean/English Languages) Latin America Spec (Spanish/English Languages)	
33	Not Required 3251243	2	Decal - 120V-60Hz Options: Brazil, Japanese, Korean & Latin American Specs ANSI, Chinese & CSA Specs	
34	3251813 Not Required	1	Decal - USA Options: ANSI, Brazil, Chinese, CSA, Japanese & Latin American Specs Korean Specs	
35	3311405	1	Locknut 1/4in-20NC	
36	3820001	2	Rivet	
37	4751400	AR	Flatwasher 1/4in Regular	
38	1001110196	1	Decal - Manual Descent	
39	1001110276	1	Decal - Legend Platform	
40	1001110389	1	Decal - Legend Ground	
41	1001112461	1	Decal - Lift Diagram	
42	1001112777	1	Decal - Manual Descent	

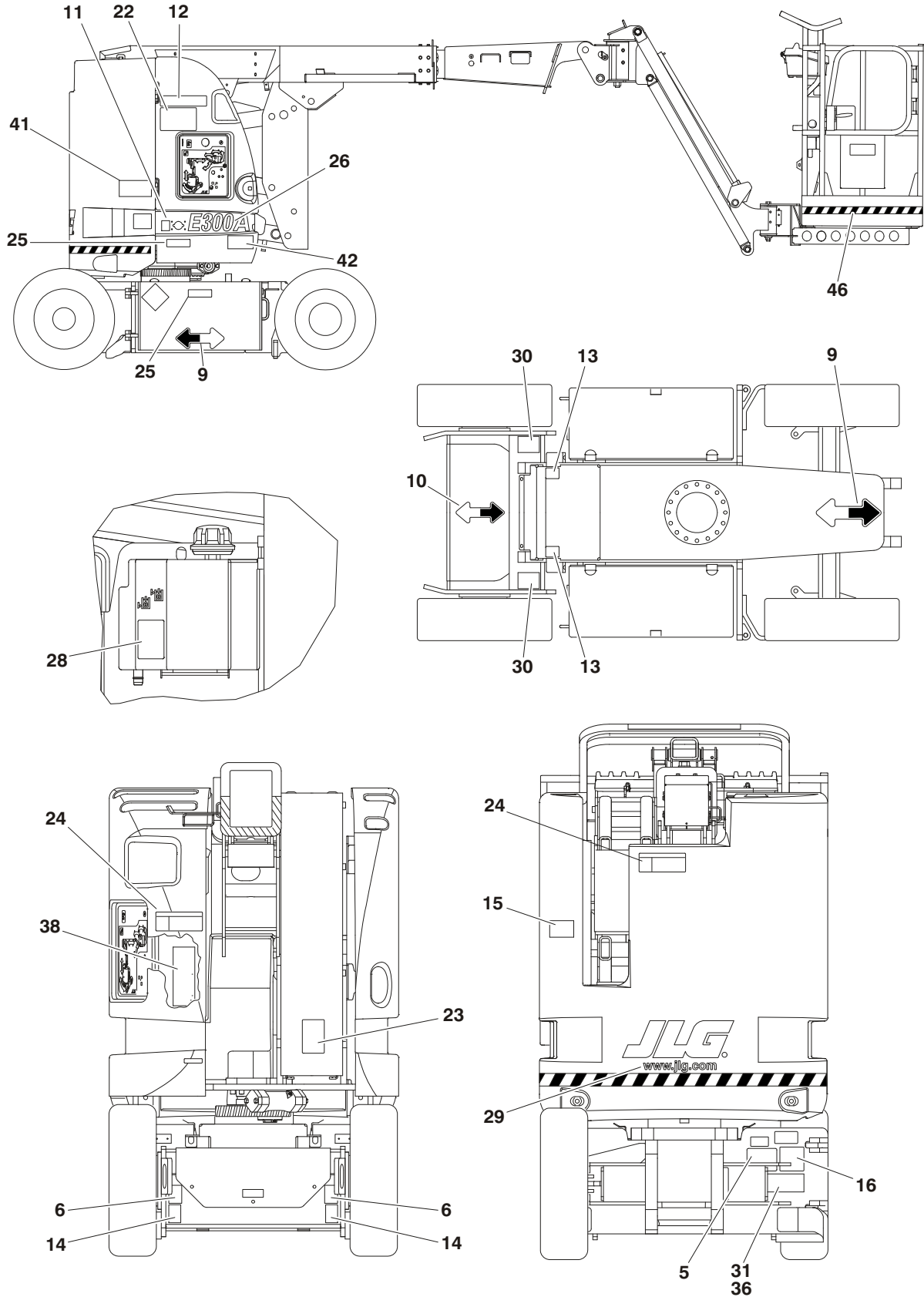
SECTION 8 DECALS

FIGURE 8-2. DECAL INSTALLATION (COUNTRY SPECS) (CONTINUED)

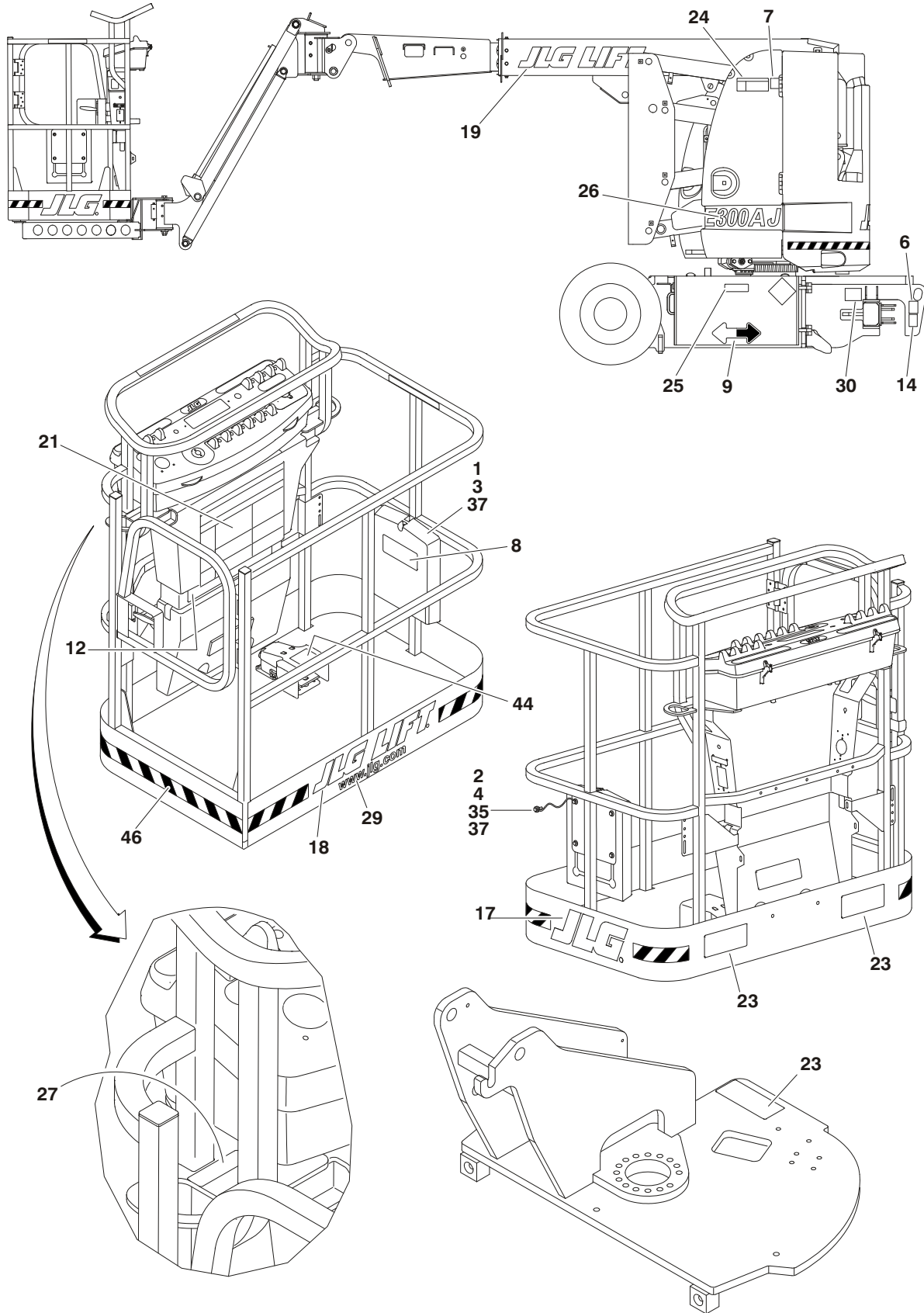
ITEM #	PART NUMBER	QTY.	DESCRIPTION	REV.
43	1705351 1001113680 1705430 1705429 1705426 1705427 1705910	1	Decal - Drive/Steer Instructions Options: ANSI Spec (English Languages) Brazil Spec (Portuguese/Spanish Languages) Chinese Spec (Chinese/English Languages) CSA Spec (French/English Languages) Japanese Spec (Japanese/English Languages) Korean Spec (Korean/English Languages) Latin America Spec (Spanish/English Languages)	
44	3252347 1703985 1703982 1703984 1703980 1703981 1703983	1	Nameplate - Footswitch Options: ANSI Spec (English Languages) Brazil Spec (Portuguese/Spanish Languages) Chinese Spec (Chinese/English Languages) CSA Spec (French/English Languages) Japanese Spec (Japanese/English Languages) Korean Spec (Korean/English Languages) Latin America Spec (Spanish/English Languages)	
45	Not Required 1705514	2	Decal - CSA Options (Not Shown): Brazil, Chinese, Japanese, Korean & Latin American Specs CSA Specs\	

SECTION 8 DECALS

FIGURE 8-3. DECAL INSTALLATION (AUSTRALIAN/CE SPECS)



SECTION 8 DECALS



SECTION 8 DECALS

FIGURE 8-3. DECAL INSTALLATION (AUSTRALIAN/CE SPECS)

ITEM #	PART NUMBER	QTY.	DESCRIPTION	REV.
		Ref	STANDARD DECAL INSTALLATIONS	
	1001110824	Ref	Australian & CE Specs	D
	1001110613	Ref	E300AJ JLG Logo Decals	B
	1001115980	Ref	E300AJP JLG Logo Decals	B
1	0641406	4	Bolt 1/4in-20NC x 3/4in	
2	0641408	1	Bolt 1/4in-20NC x 1in	
3	0860520	1	Box, Manual Storage	
4	1060279	1	Cable, Lanyard	
5		1	Decal - Patent Options:	
	1700584		SN 0300138358 to SN 0300161220	
	Not Required		SN 0300161220 to Present	
6	1701500	4	Decal - Lift	
7	1701504	1	Decal - Hydraulic Oil	
8	1701509	1	Decal - Manual	
9	1701529	3	Decal - Arrow 12in	
10	1701642	1	Decal - Arrow 9in	
11	1701644	1	Decal - Battery Charger	
12	1705978	1	Decal - Capacity	
13	1702155	2	Decal - Battery Disconnect	
14	1702300	4	Decal - Tie Down	
15	1701517	1	Decal - Hand Crushing	
16	See Note	1	Decal - Bar Code (Note: Not Available for Purchase)	
17		1	Decal Options:	
	1702773		JLG (E300AJ)	
	1704200		Jib Plus (E300AJP)	
18	1702774	1	Decal - JLG Lift 3in	
19	1702860	1	Decal - JLG Lift 5in	
20	Not Used			
21	1705921	1	Decal - Tipping/Electrocution	
22	1705822	1	Decal - Electrocution/Safety Manual	
23	1701518	4	Decal - Crushing	
24	1705961	3	Decal - Electrocution	
25	1705670	3	Decal - Fire Hazard	
26		2	Decal - Model Designation	
	1704199		E300AJ	
	1704267		E300AJP	
27	1704277	2	Decal - Lanyard Attach Graphic	
28	1704412	1	Decal - Hydraulic Oil	
29	1704885	AR	Decal - Website Options:	
		2	SN 0300138358 to SN 0300173652	
		1	SN 0300173652 to Present	
30	1706126	4	Decal - Tire Load	
31	See Note	1	Nameplate - Serial Number (Note: Not Available for Purchase)	
32 to 34	Not Used			
35	3311405	1	Locknut 1/4in-20NC	
36	3820001	2	Rivet	
37	4751400	6	Flatwasher 1/4in Regular	

SECTION 8 DECALS

FIGURE 8-3. DECAL INSTALLATION (AUSTRALIAN/CE SPECS) (CONTINUED)

ITEM #	PART NUMBER	QTY.	DESCRIPTION	REV.
38	1001110196	1	Decal - Manual Descent	
39 to 40	Not Used			
41	1001112461	1	Decal - Lift Diagram	
42	1001112777	1	Decal - Manual Descent	
43	Not Used			
44	1705828	1	Nameplate - Footswitch	
45	Not Used			
46	4420051	11.5ft/3.5m	Tape, Safety	

SECTION 8 DECALS

FIGURE 8-3. DECAL INSTALLATION (AUSTRALIAN/CE SPECS) (CONTINUED)

ITEM #	PART NUMBER	QTY.	DESCRIPTION	REV.

SECTION 9 RECOMMENDED SERVICE PARTS STOCK

MODELS E300AJ & E300AJP

The following list will service one machine (built to current production per date on the front cover) with emergency repair parts which can be installed in the field. Parts from the list should be replaced when inventory is depleted to keep service parts stock supplied. For further information, contact your JLG dealer or the JLG Industries Parts Department.

Part Number	Description	Qty./Machine
STANDARD PARTS		Ref
7022011	Diode (Figure 1-5)	2
70002526	Breather (Figure 2-1)	1
70004228	Element, Filter (Figure 2-1)	1
70002525	Filter (Figure 2-1)	1
7024883	Coil (Figure 2-2)	1
7024885	Coil (Figures 2-2 & 2-3)	1
4360517	Switch, Proximity (Figure 2-4)	1
4360070	Breaker, Circuit - 15 Amp (Figure 2-7)	1
2860030	Key, Replacement (Figure 2-7)	1
4360475	Switch, Mushroom (Figures 2-7 & 4-2)	1
4360476	Contact, Switch Block (Figures 2-7 & 4-2)	1
4360328	Switch, Toggle (Figures 2-7 & 4-2)	1
4360330	Switch, Toggle (Figures 2-7 & 4-2)	1
70001996	Power Track Repair Section (Figure 3-3)	1
1001118419	Controller (Lift and Swing) (Figure 4-2)	1
1001118418	Controller (Drive and Steer) (Figure 4-2)	1
4360387	Switch, Push Button (Figure 4-2)	1
7003982	Microswitch (Drive/Steer) (Figure 4-3)	1
70002386	Coil (Figures 5-3 & 5-4)	1
VARIABLE PARTS		Ref
1600293	Module, Drive (Figure 1-5)	1
2400062	Fuse 300Amp (UL Spec Only) (Figures 1-5 & 7-3)	1
1001112779	Module, Power (Figure 2-7)	1
1001109497	Module, Ground Control (Figure 2-7)	1
4360469	Switch, Key (All Specs Except CE Spec) (Figure 2-7)	1
4360470	Switch, Key (CE Spec Only) (Figure 2-7)	1
2940074	Latch (Platform with Gate) (Figure 4-1)	1
1001117172	Footswitch (Figure 4-1)	1
1001109498	Module, Platform (Figure 4-2)	1
4360548	Switch, Limit (Figure 7-3)	1
2400068	Fuse 10 Amp (Machines with Platform Worklights) (Figure 7-3)	2
1001109475	Breaker, Circuit 16Amp (CE Machines with AC Power at Platform) (Fig 7-3)	1
1001109482	Breaker, Circuit 30mAmp (CE Machines with AC Power at Platform) (Fig 7-3)	1

SECTION 9 RECOMMENDED SERVICE PARTS STOCK

MODELS E300AJ & E300AJP

The following list will service one machine (built to current production per date on the front cover) with emergency repair parts which can be installed in the field. Parts from the list should be replaced when inventory is depleted to keep service parts stock supplied. For further information, contact your JLG dealer or the JLG Industries Parts Department.

Part Number	Description	Qty./Machine

SECTION 10 SPECIAL OPTIONS

Note: This list is to accommodate machines ordered with special equipment. Options may not be applicable to all models. For more specific parts information contact JLG Parts Department.

FIG&ITEM#	PART NUMBER	QTY.	DESCRIPTION	REV.
		Ref	MISCELLANEOUS SPECIAL OPTIONS	
	0259250	Ref	Air Line at Platform Installation	
	0259384	Ref	Bellows Installations	
		Ref	Boom Wiper Installation	
	1001109709	Ref	E300AJ	
	1001109709	Ref	E300AJP SN 0300138358 to SN 0300157824	
	1001119962	Ref	E300AJPSN 0300157824 to Present	
	0256789	Ref	Camera Mount Assembly	
		Ref	Decal Installations	
	0274530	Ref	Decal - Head & Engquist Equipment	
		Ref	Decal - Hertz Options:	
	0273262	Ref	SN 0300138358 to SN 0300147215	
	1001128883	Ref	SN 0300147215 to Present	
	1001098897	Ref	Decal - FedEx	
	1703175	1	Decal - Lanyard Attach (GM K-1 Spec)	
	1702868	2	Decal - No Hands (English Language - Required on Platform with Mesh to Top)	
	1704000	2	Decal - No Hands (Dual Language French & English - Required on Platform with Mesh to Top)	
	1001095410	Ref	Decal - RSC Equipment Rental	
	0271114	Ref	Decal - Sunbelt	
	1001151114	Ref	Decal - Titan Rentals	
	0271897	Ref	Decal - United Rentals	
	1001141476	Ref	Decal - Volvo Rentals	
	4420051	Ref	Decal - Warning Stripes	
		Ref	Electrical Connector Kits	
	1001148902	Ref	Amp/Tyco Electrical Connector Kit	
	1001148903	Ref	Deutsch DT Electrical Connector Kit	
	1001148904	Ref	Deutsch HD Electrical Connector Kit	
	1001148905	Ref	Packard Electrical Connector Kit	
	1001148906	Ref	Various Electrical Connectors Kit	
		Ref	Fluids & Lubricants	
	3020008	Ref	Lube, Gear 80W-90 (Drive Hub)	
	3020037	Ref	Lube, Coupling (Drive Coupling)	
	0100048	Ref	Grease, Dielectric (Electrical Connections)	
	3020037	Ref	Grease, Electrical (Battery Terminals)	
	3020022	Ref	Grease, White Lithium (Boom Wear Pads)	

SECTION 10 SPECIAL OPTIONS

Note: This list is to accommodate machines ordered with special equipment. Options may not be applicable to all models. For more specific parts information contact JLG Parts Department.

FIG&ITEM#	PART NUMBER	QTY.	DESCRIPTION	REV.
	Continued	Ref	Fluids & Lubricants	
		Ref	Hydraulic Fluids (Hydraulic Tank)	
	2300014	Ref	Mobil 424	
		Ref	Mobil DTE 10 Excel 15 Options:	
	2300028	Ref	Bulk	
	70010346	Ref	One Gallon Container	
	2300027	Ref	Mobil 224H Biodegradeable	
	2300042	Ref	Mobil EAL 32 (Synthetic Biodegradeable)	
	2300019	Ref	QuintoLubric 888-46 (Synthetic Biodegradeable)	
		Ref	Footswitch Shield Installation	
	4060959	1	Shield, Footswitch	
	1001151286	Ref	Jib Cylinder Replacement Kit	
	1001148971	Ref	Lanyard (Bolt On) Kit Installation	
	0257728	Ref	Pipe Jacks Installations (ANSI Spec Only)	
	0258703	Ref	Platform Cover Installation	
		Ref	Platform Entry Kits	
	1001142504	Ref	Drop Bar (Replacing Swing Gate with Drop Bar)	
	1001142505	Ref	Swing Gate (Replacing Drop Bar with Swing Gate)	
	0273147	Ref	Platform Mesh to Top Rail Installation (ANSI, CSA & UL Specs Only)	
	1001099635	Ref	Security Lock (Programmable) Installations (CE Spec Only)	
	1001103617	Ref	Platform Rail Extension (30 x 48) (2.5ft x 4ft) (0.70m x 1.22m)	
		Ref	SkyGuard Component	
	1001143669	Ref	SkyGuard Complete Add-On Kit (UGM Machines)	
	1001137672	Ref	SkyGuard Platform Sensor Kit (UGM Machines)	
	1001143256	Ref	SkyGuard Blue Beacon Kit	

SECTION 10 SPECIAL OPTIONS

Note: This list is to accommodate machines ordered with special equipment. Options may not be applicable to all models. For more specific parts information contact JLG Parts Department.

FIG&ITEM#	PART NUMBER	QTY.	DESCRIPTION	REV.
		Ref	Tools for Service	
	2901443	1	Analyzer Kit	
	8896941	1	Wire Stripper	
	7002821	1	Wire Crimper (To install wire ends to wires)	
	7002823	1	Pin/Socket Extractor - Universal (To Remove Pins/Sockets from Connectors)	
	4460467	1	Extractor - 16-18 Gauge (For Removal of Pin/Sockets from Deutsch Connectors)	
	4460510	1	Extractor - 12-14 Gauge (For Removal of Pin/Sockets from Deutsch Connectors)	
	7002822	1	Screwdriver, Potentiometer (To Adjust Drive Controllers)	
	7016654	1	Screwdriver, Magnetic	
	7004275	1	Seal Installation Tool - 1in	
	7004276	1	Seal Installation Tool - 1 1/2in	
	7002826	1	Seal Installation Tool - 2in	
	7016655	1	Wire Rope Sheave Gauge	
	2915230	1	Battery Charger Reprogram Controller	
	1001137005	1	Software Cable Kit	
	0259044	Ref	Weld Leads Installations (E300AJ without UL Specs Only)	

SECTION 10 SPECIAL OPTIONS

Note: This list is to accommodate machines ordered with special equipment. Options may not be applicable to all models. For more specific parts information contact JLG Parts Department.

FIG&ITEM#	PART NUMBER	QTY.	DESCRIPTION	REV.

SECTION 11 PARTS NUMBER INDEX

Part Number	Page	Part Number	Page	Part Number	Page	Part Number	Page
0060044	3-13, 3-17	0630464	4-7	0761014	3-4	1001107003	3-10
0060065	3-14, 3-19	0630568	4-8	0761215	3-3	1001107108	3-3, 3-9
0100009	4-7	0641403	1-17, 3-7	0811606	3-9	1001107152	3-11
0100011	1-3, 1-17, 1-19, 2-3, 2-11, 2-18, 2-21, 2-25, 3-3, 3-7, 3- 9, 3-10, 3-11, 3- 14, 3-21, 4-4	0641404	2-21	0811607	3-9	1001107217	3-7
0100019	1-5, 1-13, 2-11	0641406	1-21, 2-11, 2-21, 4- 4, 8-4, 8-8, 8-14	0811608	2-3, 3-9	1001107240	3-10
0100035	2-17, 4-7	0641407	7-15	0811610	2-18	1001107526	2-18
0100048	1-17, 7-11, 10-1	0641408	4-4, 8-4, 8-8, 8-14	0840031	7-11	1001107567	3-7
0100051	1-17, 7-11	0641408	4-4, 8-4, 8-8, 8-14	0840032	7-11	1001107573	3-3
0100071	5-3, 5-5, 5-7, 5-9, 5- 11, 5-13, 5-15	0641414	4-5	0860038	7-13	1001107583	3-4, 3-7
0100081	3-10, 3-11	0641416	3-21, 7-15	0860520	8-4, 8-8, 8-14	1001107584	3-3
0140011	4-7	0641418	4-3	0861375	1-13	1001107614	3-4, 3-13
0140043	2-21	0641504	1-13, 1-19	0861537	4-7, 4-8	1001107615	3-4, 3-13
0256789	10-1	0641505	1-17, 2-18	0861731	7-13	1001107650	2-11
0257728	10-2	0641507	2-3, 3-9	0861781	7-13	1001107658	3-10
0258703	10-2	0641511	3-21	0861782	7-13	1001107677	4-8
0258986	1-5	0641512	1-17	0861880	7-15	1001107712	1-3
0259042	1-17, 7-11	0641514	1-17	0902575	4-7	1001107727	1-3
0259044	10-3	0641516	3-13	0902588	4-7	1001107751	1-19
0259250	10-1	0641518	3-10	0903484	7-15	1001107781	2-11, 2-15
0259384	10-1	0641605	3-10	0903530	2-4	1001107820	2-11
0270432	8-5	0641606	1-17, 2-11, 2-25, 3- 3, 3-7	0903612	7-15	1001107886	3-7, 5-9
0271114	10-1	0641607	1-3, 2-3, 3-3, 3-4	0920113	1-5	1001108249	3-11
0271897	10-1	0641608	2-4, 3-3, 3-7, 3-21	0940048	3-7	1001108251	1-19
0272111	4-8	0641609	1-5, 3-4	0940049	2-25	1001108274	2-11
0272971	4-4	0641610	1-3, 1-13, 3-3, 3-14, 4-4	0961845	4-3	1001108290	3-10
0272976	3-14	0641613	2-3	0961947	3-17	1001108310	1-3, 5-13
0273147	10-2	0641614	2-11	0961948	3-7, 3-9	1001108384	3-3, 3-9
0273262	10-1	0641616	2-3, 2-11, 3-13	0961951	1-3, 3-13	1001108387	3-4, 3-7
0274530	10-1	0641618	1-21, 3-13	0962140	1-3	1001108429	3-13, 5-5
0275216	7-15	0641622	3-7	0962233	1-17	1001108541	7-2
0275217	7-16	0641806	3-7	0962257	3-17	1001108553	3-3
0275218	7-16	0641808	3-3, 3-7	0962259	3-7	1001108560	1-17, 7-11
0275219	7-16	0641810	3-3, 3-7	0962292	3-13	1001108599	1-3
0275452	7-16	0641812	3-3	0962449	7-7	1001108772	2-18
0275453	7-16	0641826	1-5	1001094670	3-14	1001108773	2-18
0275454	7-16	0641826	1-5	1001095410	10-1	1001108774	2-18
0275663	7-12	0642208	1-13	1001096188	7-9	1001108775	2-18
0275664	7-12	0681608	3-14	1001097487	3-7	1001108823	2-17
0275665	7-12	0681832	3-9	1001098897	10-1	1001108824	2-17
0275666	7-12	0682012	1-5	1001099635	10-2	1001108825	2-17
0275667	7-12	0682040	2-11	1001099834	3-11	1001108826	2-17
0275711	7-13	0682048	2-11	1001100343	7-13, 7-16	1001108827	2-18
0275712	7-13	0700408	7-14	1001100344	7-13, 7-16	1001109080	3-11
0275713	7-13	0700620	4-3	1001101024	7-7	1001109116	2-21, 7-12
0275714	7-13	0700818	3-13	1001101025	7-7	1001109117	2-21, 7-12
0275715	7-13	0700820	3-11	1001102527	2-11	1001109122	2-3
0275716	7-13	0701018	3-13	1001103105	2-21	1001109126	2-3
0275717	7-13	0701018	3-13	1001103106	2-21, 7-12	1001109127	2-3
0340047	1-5	0701020	3-13	10011034374	3-13	1001109357	7-2
0340048	2-4	0711227	3-9	1001103617	10-2	1001109358	7-2
0400055	1-17	0720804	4-7	1001103646	2-11, 2-13	1001109383	1-19
0400107	1-17	0721003	1-13	1001105091	1-17	1001109427	2-4
0440162	1-3	0721005	2-3	1001105153	3-3, 5-3	1001109430	1-5, 1-13, 7-9
0610131	2-17	0721006	3-21	1001105989	3-3, 5-11	1001109431	1-5, 1-13, 2-4, 7- 9
		0721008	2-21	1001106736	7-8		
		0741408	3-7	1001106757	3-11	1001109445	2-4, 2-7
		0760812	3-9	1001106878	3-10, 5-15	1001109446	2-4, 2-9
		0761007	3-11	1001106879	3-10, 5-15	1001109447	2-4, 2-9
		0761011	3-4	1001106880	3-3, 5-7	1001109475	7-15, 9-1

SECTION 11 PARTS NUMBER INDEX

Part Number	Page	Part Number	Page	Part Number	Page	Part Number	Page
1001109482	7-15, 9-1	1001110383	7-13	9-1		1001142504	10-2
1001109484	7-7, 7-8	1001110389	8-5, 8-10	1001118419	4-7, 4-15, 4-16,	1001142505	10-2
1001109485	7-7	1001110393	4-5, 7-13	9-1		1001143256	10-2
1001109493	8-4, 8-8	1001110435	4-7, 7-6	1001118482	3-14	1001143669	10-2
1001109497	2-18, 9-1	1001110444	2-22, 7-13	1001118516	3-14	1001143933	2-13
1001109498	4-8, 9-1	1001110449	7-16	1001119228	3-11	1001144018	4-3
1001109503	2-18	1001110541	7-13	1001119504	3-11	1001144027	4-3
1001109506	2-18, 7-8	1001110542	7-13	1001119513	3-11	1001144629	4-3
1001109528	3-4	1001110543	7-13	1001119527	3-11	1001144630	4-3
1001109562	3-11, 3-21, 7-7	1001110613	8-4, 8-8, 8-14	1001119566	4-8	1001145410	4-3
1001109563	3-11, 3-21, 7-7	1001110728	6-3, 6-5	1001119962	10-1	1001145411	4-3
1001109594	2-18, 7-8	1001110772	1-5	1001120974	3-10, 5-15	1001145781	4-3, 4-4
1001109610	2-18, 7-9	1001110824	8-14	1001121801	8-4, 8-5, 8-8	1001146099	4-4
1001109630	2-18	1001110825	8-8	1001121803	8-8	1001146100	4-4
1001109655	2-18	1001110827	8-8	1001121805	8-8	1001146101	4-7
1001109682	6-5	1001110828	8-8	1001121808	8-8	1001146102	4-7
1001109683	6-5	1001110829	8-8	1001121810	8-8	1001148902	10-1
1001109686	6-3, 6-5	1001110830	8-8	1001121814	8-10	1001148903	10-1
1001109687	6-3, 6-5	1001110831	8-8	1001121816	8-10	1001148904	10-1
1001109688	6-3, 6-5	1001110873	7-14	1001121818	8-10	1001148905	10-1
1001109689	6-3, 6-5	1001112461	8-5, 8-10, 8-15	1001121821	8-10	1001148906	10-1
1001109690	6-3, 6-5	1001112496	1-19	1001121823	8-10	1001148971	10-2
1001109691	6-3, 6-5	1001112607	3-3	1001121918	8-8	1001151114	10-1
1001109709	10-1	1001112612	7-8	1001121920	8-8	1001151286	10-2
1001109710	6-5, 6-8	1001112777	8-5, 8-10, 8-15	1001121921	8-10	1001151393	2-17
1001109711	6-3, 6-8	1001112779	2-17, 9-1	1001121923	8-10	1001151428	1-3
10011097150	7-15	1001112910	6-8	1001122600	3-11	1001153013	2-11, 2-13
1001109754	7-7	1001112921	2-25	1001123023	3-3, 3-9	1001153362	2-11
1001109755	7-7	1001112946	6-3, 6-5	1001123024	3-4, 3-13	1001154537	2-3
1001109756	7-7	1001112947	6-3, 6-5	1001123025	3-4, 3-13	1001154539	2-4
1001109757	7-7	1001112948	6-3, 6-6	1001123026	3-10	1001157601	2-3
1001109814	3-21, 7-7	1001113166	8-8	1001123027	3-10	1001158623	2-21
1001109833	7-11	1001113168	8-8	1001123044	3-10	1001159059	2-4
1001109857	4-7, 7-6	1001113169	8-8	1001123045	3-10	1001160232	6-3, 6-5
1001109858	4-7	1001113170	8-8	1001125235	3-3	1001162882	2-4
1001109859	7-2, 7-6	1001113171	8-9	1001125316	3-3, 3-9	100118274	3-11
1001109860	7-6	1001113509	8-8	1001125317	3-3, 3-9	1060092	7-11
1001109861	7-6	1001113680	8-11	1001125318	3-4, 3-13	1060279	8-4, 8-8, 8-14
1001109862	7-7	1001114341	4-3	1001125319	3-10	1060330	4-5, 7-6
1001109901	4-4	1001114757	2-11	1001125320	3-10	1060494	7-16
1001109902	4-4	1001114761	2-3	1001125321	3-13	1060633	7-16
1001109929	2-4	1001114782	1-17	1001125784	2-17, 7-8	1060689	7-12
1001109939	2-4	1001115980	8-4, 8-8, 8-14	1001125785	2-17, 7-8	1060732	7-10
1001110013	2-25	1001115997	1-17, 7-11	1001128883	10-1	1060733	7-10
1001110030	7-11	1001116006	1-17	1001131269	8-4	1060734	7-10
1001110065	7-10, 7-11	1001116018	7-11	1001132175	4-8	1060735	7-10
1001110066	7-11	1001116273	1-13	1001136889	4-4	1060736	7-10
1001110088	7-11	1001116550	3-13	1001137005	7-16, 10-3	1060737	7-10
1001110089	7-11	1001116876	3-10	1001137672	10-2	1060738	7-10
1001110196	8-5, 8-10, 8-15	1001116877	3-10	1001138494	4-4	1060739	7-10
1001110226	4-8	1001117149	4-3	1001138514	4-4	1060740	7-10
1001110248	2-3	1001117172	4-4, 4-5, 9-1	1001139371	4-3	1060741	7-10, 7-11
1001110262	2-25	1001117320	4-4	1001140429	4-4	1060742	7-11
1001110266	2-21	1001117885	3-3, 3-9	1001141476	10-1	1060743	7-11
1001110268	2-21	1001118274	3-10	1001141967	7-13	1060757	2-17, 7-7
1001110270	4-5, 4-8	1001118287	3-10	1001141968	7-14	1060767	7-10
1001110271	1-21, 7-16	1001118288	3-10	1001141969	7-14	1060768	7-10
1001110272	2-18	1001118394	3-13	1001141970	7-14	1060769	7-10
1001110276	8-5, 8-10	1001118418	4-7, 4-11, 4-12,	1001141971	7-14	1060770	7-10

SECTION 11 PARTS NUMBER INDEX

Part Number	Page	Part Number	Page	Part Number	Page	Part Number	Page
1060771	7-10	1703804	8-4, 8-9	1705429	8-11	2560136	4-7
1060772	7-10	1703805	8-4, 8-9	1705430	8-11	2600103	1-21
1060773	7-10	1703813	8-4, 8-10	1705514	8-11	2600258	2-25
1060801	7-16	1703923	8-9	1705670	8-14	2600281	4-3
1060802	7-16	1703924	8-9	1705822	8-14	2752473	6-3, 6-6
1060847	7-10	1703925	8-9	1705828	8-15	2752613	6-3, 6-5
1060860	7-10	1703926	8-9	1705910	8-11	2752999	6-3, 6-5
1060862	7-10	1703927	8-9	1705921	8-14	2753136	6-3, 6-5
1060908	7-15	1703928	8-9	1705961	8-14	2753137	6-3, 6-5
10837580	5-15	1703929	8-9	1705968	8-9	2753276	6-3, 6-5
1271433	3-7	1703930	8-9	1705969	8-9	2753279	6-3, 6-5
1271463	1-21	1703931	8-9	1705978	8-14	2753364	6-3, 6-5
1320030	6-3, 6-5	1703932	8-9	1706126	8-4, 8-10, 8-14	2753812	6-3, 6-5
1320041	2-11, 7-15	1703933	8-9	1707014	8-5	2754055	6-3, 6-5
1320043	3-21	1703934	8-9	1707042	8-10	2755023	6-3, 6-5
1320130	3-21	1703935	8-9	1707044	8-10	2760105	4-7
1320159	3-21	1703936	8-9	1707047	8-10	2780282	1-5, 1-7
1320172	7-11	1703937	8-9	1707049	8-10	2820026	7-8
1320261	3-21	1703938	8-9	1707054	8-10	2820035	2-21, 4-5
1320262	3-21	1703939	8-9	1707055	8-8	2820118	7-8
1380136	2-3	1703940	8-9	1707056	8-8	2860030	2-17, 9-1
1380138	1-19	1703947	8-9	1707058	8-8	2900756	2-9
1580012	4-5	1703948	8-9	1707059	8-8	2900768	1-5
1600244	7-16	1703949	8-9	1707060	8-8	2900770	5-3, 5-5, 5-7, 5-9, 5-15
1600273	4-7, 4-11	1703950	8-9	1707133	8-10	2901443	7-16, 10-3
1600274	4-7, 4-15	1703951	8-9	1707134	8-8	2901818	1-13, 7-11
1600293	1-13, 9-1	1703952	8-9	2080040	4-3	2901864	1-13
1600294	1-13, 1-14	1703980	8-11	2220063	2-3	2915230	2-22, 10-3
1600300	1-13, 1-14	1703981	8-11	2220124	2-3	2920095	4-5
1600466	2-22	1703982	8-11	2220371	6-3, 6-5	2920129	7-6
1670829	4-7	1703983	8-11	2220372	6-3, 6-5	2920146	2-21
1670878	1-17	1703984	8-11	2220408	6-3, 6-5	2920151	2-18
1670890	1-17	1703985	8-11	2220415	6-3, 6-5	2940048	1-21
1670899	3-21	1704000	8-9, 10-1	2220466	6-3, 6-5	2940073	1-17
1670953	1-21	1704001	8-9	2220472	6-3, 6-5	2940074	4-3, 9-1
1671037	4-7	1704002	8-9	2220473	6-3, 6-5	2940114	1-17
1700584	8-4, 8-8, 8-14	1704199	8-4, 8-10, 8-14	2220502	6-3, 6-5	2940117	2-25
1701500	8-4, 8-8, 8-14	1704200	8-4, 8-9, 8-14	2220582	6-3, 6-5	3000003	1-17
1701504	8-4, 8-8, 8-14	1704240	4-7	2220593	6-3, 6-5	3020008	1-5, 10-1
1701509	8-4, 8-8, 8-14	1704246	1-19	2220628	6-3, 6-5	3020022	3-10, 10-1
1701517	8-14	1704260	4-7	2220909	6-3, 6-5	3020037	1-5, 10-1
1701518	8-14	1704267	8-4, 8-10, 8-14	2221033	6-3, 6-5	3160237	1-5, 1-11
1701529	8-4, 8-8, 8-14	1704277	8-4, 8-10, 8-14	2221034	6-3, 6-5	3251243	7-15, 8-5, 8-10
1701642	8-4, 8-8, 8-14	1704339	8-10	2221039	6-5	3251813	8-5, 8-10
1701644	8-4, 8-8, 8-14	1704340	8-10	2221048	6-3, 6-6	3252331	8-5
1701645	8-4	1704341	8-10	2221086	6-3, 6-5	3252347	4-5, 8-5, 8-11
1702155	8-4, 8-8, 8-14	1704342	8-10	2300014	10-2	3252507	7-15
1702251	8-5	1704343	8-10	2300019	10-2	3290405	7-15
1702300	8-4, 8-8, 8-14	1704344	8-10	2300027	10-2	3290606	4-4
1702391	8-4, 8-8	1704412	8-4, 8-10, 8-14	2300028	10-2	3290805	3-13
1702565	4-7	1704422	4-7	2300042	10-2	3291005	3-13
1702566	4-7	1704712	1-13	2400044	1-13, 7-10	3300106	1-5
1702773	8-4, 8-9, 8-14	1704720	8-5	2400062	1-13, 7-10, 9-1	3300151	4-4
1702774	8-4, 8-9, 8-14	1704885	8-4, 8-10, 8-14	2400067	7-13	3300353	1-21
1702860	8-4, 8-9, 8-14	1705170	4-5, 4-8	2400068	9-1	3300396	2-17
1702868	8-4, 8-9, 10-1	1705325	7-15	2460037	1-21	3310601	1-13, 2-17, 4-7
1703175	10-1	1705351	8-5, 8-11	2540020	1-17	3310805	3-21
1703797	8-4, 8-9	1705426	8-11	2540037	1-13	3311001	1-13
1703798	8-4, 8-9	1705427	8-11	2560122	2-3		

SECTION 11 PARTS NUMBER INDEX

Part Number	Page	Part Number	Page	Part Number	Page	Part Number	Page
3311005	2-3, 2-11, 2-21, 3-21	3900255	1-3	4460025	7-7, 7-10, 7-11	4460752	7-7
3311401	1-17, 2-17, 2-21	3900266	1-17	4460035	7-16	4460761	7-6
3311405	1-21, 2-11, 2-21, 3-21, 4-4, 4-5, 7-15, 8-5, 8-10, 8-14	3900280	3-11	4460042	7-6	4460802	7-12
3311501	1-13, 2-17, 3-13	3900283	2-4	4460071	4-5, 7-6, 7-15	4460803	7-12
3311505	1-17, 2-3, 2-25	3900316	3-11	4460092	7-14	4460805	7-12
3311508	3-11	3910610	7-14	4460125	7-14	4460868	7-8
3311601	4-8	3910628	1-13	4460135	7-16	4460877	7-8
3311605	1-3, 1-21, 2-3, 3-3, 3-7, 3-13, 3-14, 3-21, 4-4	3910804	2-17	4460138	7-16	4460891	7-7, 7-9
3311608	3-11	3911016	2-21	4460183	7-8	4460894	7-7
3311805	3-3	3911408	2-17	4460185	7-8	4460899	7-9
3312005	1-3, 1-17	3930820	3-21	4460205	7-14	4460930	7-12
3340852	1-17	3930828	3-21	4460224	7-9	4460931	7-9
3340854	3-3	3931010	2-11	4460225	7-6, 7-7, 7-8, 7-9, 7-10	4460956	7-15
3340860	3-13	3931430	1-17	4460226	4-11, 4-12, 4-15, 4-16, 7-6, 7-8, 7-9, 7-10, 7-13, 7-16	4460968	7-7, 7-15
3340862	3-10	3931816	3-14	4460227	7-6, 7-7, 7-8, 7-9, 7-11, 7-13, 7-16	4461196	7-12, 7-14
3340863	3-10	3931832	2-11	4460233	7-14	4461198	7-14
3340865	3-7	3951526	3-11	4460234	2-17, 2-21, 4-7	4461199	7-12, 7-14
3340939	3-11	3960389	1-19	4460260	7-13	4461201	7-14
3380434	4-4	3960418	2-25	4460265	4-11, 4-12, 4-15, 4-16, 7-6, 7-8	4461202	7-12, 7-14
3422181	1-3	3960422	7-14	4460297	7-13	4461204	7-14
3422424	3-7	3960447	1-19	4460320	7-8, 7-9, 7-11, 7-13, 7-16	4461205	7-12, 7-14
3422562	1-3	3960514	2-25	4460321	7-6, 7-7, 7-8, 7-9, 7-16	4461207	7-14
3422582	3-3	3990105	1-5, 7-10	4460326	7-8, 7-9, 7-10	4461244	7-14
3422709	3-4	3990106	7-8	4460343	7-8	4461245	7-14
3422745	3-9	4010618	4-4	4460346	7-14	4461246	7-14
3422785	3-7	4031908	3-11	4460418	7-7, 7-8	4461249	7-12, 7-14
3422786	3-7	4060803	1-21	4460419	7-7, 7-8	4567739	1-17
3422787	3-3	4060807	1-13	4460424	7-9, 7-13, 7-16	4568165	1-21
3422788	3-7	4060808	3-21	4460426	1-21, 7-8, 7-16	4640771	5-15
3422789	3-7	4060865	2-21	4460428	2-21, 4-7, 7-6, 7-12, 7-13	4641129	2-9
3422790	3-3	4060906	2-18	4460434	7-8	4711000	2-11
3422791	3-13	4060959	10-2	4460464	7-6, 7-7, 7-8, 7-9, 7-12	4711400	2-11, 2-21, 3-7, 3-21, 4-4, 4-5, 7-15
3422792	3-3	4070897	3-9	4460465	7-7, 7-9, 7-12	4711500	1-13, 1-19, 2-17, 2-18, 3-11, 4-8
3422794	3-13	4070898	3-9	4460466	7-7, 7-8, 7-9	4711600	1-3, 1-5, 1-17, 2-3, 2-11, 3-3, 3-7, 3-11, 3-14
3422814	3-3	4070904	1-17	4460467	7-16, 10-3	4712200	1-13
3470003	4-8	4070987	2-17	4460488	4-7	4740086	1-3, 1-17
3510830	4-3	4070987	2-17	4460496	2-17, 4-7, 7-6, 7-8	4740120	2-11
3520028	2-17	4070991	2-17	4460497	2-17, 4-7, 7-6, 7-8	4740171	2-11
3520030	4-7, 7-6	4100066	3-21	4460508	7-12	4740308	2-4
3520054	4-7	4120035	7-6	4460509	7-9	4740362	4-4
3520072	4-3	4240018	3-21	4460510	7-16, 10-3	4740393	2-3
3520198	4-3, 4-4	4240032	2-21, 4-7	4460526	2-17, 7-8, 7-9	4740420	2-18
3536089	4-5	4240033	2-21, 3-21	4460536	7-12	4750600	1-13, 2-18, 4-7
3571584	2-21	4240084	1-13	4460539	7-9	4750800	3-21, 4-8
3572551	3-13	4240084	1-13	4460634	7-6	4751000	1-13, 2-3, 2-21
3600302	2-3	4240099	4-5	4460635	7-6	4751400	1-17, 1-21, 3-21, 4-4, 7-15, 8-5, 8-10, 8-14
3760115	3-9	4240156	3-21	4460662	7-15	4751500	1-13, 1-17, 2-3, 3-9, 3-13
3760308	1-19	4360031	4-4	4460709	7-7	4751600	1-13, 2-3, 2-25, 3-3, 3-21, 4-4
3790012	2-18, 4-8	4360070	2-17, 9-1	4460710	7-15	4752200	1-13
3820001	8-5, 8-10, 8-14	4360328	2-18, 4-7, 9-1			4760600	1-13, 7-14
3820020	4-3	4360330	2-18, 4-7, 9-1				
3841143	1-3, 3-3, 3-7	4360387	4-7, 9-1				
3841203	3-3, 3-7	4360462	4-7				
3900118	1-3	4360469	2-17, 9-1				
		4360470	2-17, 9-1				
		4360475	2-17, 4-7, 9-1				
		4360476	2-17, 4-7, 9-1				
		4360517	2-11, 7-11, 9-1				
		4360522	4-5, 4-8				
		4360548	7-7, 9-1				
		4420051	8-15, 10-1				

SECTION 11 PARTS NUMBER INDEX

Part Number	Page	Part Number	Page	Part Number	Page	Part Number	Page
4811400	7-15	70002335	5-3, 5-5, 5-9, 5-11, 5-13, 5-15	70002409	5-9	70002904	4-5
4811700	4-4			70002410	5-9	70002905	4-5
4811900	3-11	70002336	5-9	70002412	5-7	70002906	4-16
4811902	3-9, 3-13	70002337	5-9	70002413	5-3	70003114	5-15
4812000	3-11	70002338	5-9	70002434	1-3	70003115	5-15
4845923	1-17	70002339	5-9	70002435	1-3	70003116	5-15
4845924	1-17	70002340	5-9	70002521	2-3	70003117	5-15
4845940	3-7	70002341	5-7	70002522	2-4	70003118	5-15
4845941	3-7	70002342	5-7	70002523	2-4	70003119	5-15
4845942	3-7	70002343	5-7	70002524	2-4	70003483	4-4
4845943	3-7	70002344	5-7	70002525	2-3, 9-1	70003528	2-9
4846083	3-7	70002345	5-7	70002526	2-3, 9-1	70004019	2-9
4846278	3-14	70002346	5-7	70002527	2-18	70004160	2-13
4846452	4-3	70002347	5-7	70002528	2-18	70004228	2-4, 9-1
4846502	3-13	70002348	5-7	70002529	2-18	70004312	2-4
4846608	3-14	70002349	5-7	70002643	2-13	7000625	4-4
4891600	3-14	70002350	5-3, 5-11	70002644	2-13	70010346	10-2
4891800	3-9	70002352	5-3, 5-11, 5-15	70002645	2-13	70020830	7-12
4892000	1-5, 2-11	70002354	5-11	70002646	2-13	70022586	5-13
4922160	7-6	70002355	5-11	70002647	2-13	70022593	5-7
4933100	7-2	70002357	5-3	70002648	2-13	70023370	5-15
5221000	3-11	70002358	5-3	70002649	2-13	7002821	7-16, 10-3
5241200	3-9	70002359	5-3, 5-11	70002650	2-13	7002822	10-3
5251010	3-9	70002360	5-3	70002651	2-13	7002823	7-16, 10-3
5251012	3-9	70002361	5-3	70002652	2-13	7002826	10-3
5260800	3-11	70002362	5-15	70002653	2-13	7002828	7-16
5281920	3-11	70002363	5-5, 5-13, 5-15	70002654	2-13	7003928	4-15
70000088	2-15	70002364	5-15	70002655	2-13	7003933	4-11
70000089	2-15	70002365	5-15	70002656	2-13	7003935	4-11
70000340	3-19	70002366	5-3, 5-11, 5-15	70002657	2-13	7003940	4-11
70000341	3-17	70002367	5-15	70002658	2-13	7003941	4-11
70000681	2-13	70002368	5-15	70002659	2-13	7003946	4-11
70000865	2-13	70002369	5-15	70002660	2-13	7003952	4-15
70001052	1-14, 7-10	70002370	5-5	70002661	2-13	7003953	4-15
70001366	1-7	70002371	5-5	70002662	2-13	7003954	4-15
70001367	1-7	70002372	5-5	70002663	2-13	7003955	4-15
70001368	1-7, 1-8	70002373	5-5, 5-13	70002664	2-13	7003956	4-15
70001369	1-7	70002374	5-5	70002665	2-13	7003969	4-11
70001370	1-7	70002375	5-5	70002666	2-13	7003972	4-12
70001371	1-7	70002376	5-5	70002667	2-13	7003973	4-12
70001372	1-7	70002379	5-13	70002668	2-13	7003974	4-11, 4-15
70001373	1-7	70002380	5-13	70002669	2-13	7003976	4-15
70001374	1-7	70002381	5-11, 5-13	70002670	2-13	7003977	4-15
70001375	1-7	70002382	5-13	70002671	2-13	7003980	4-12
70001376	1-7	70002383	5-13	70002724	4-11	7003982	4-12, 9-1
70001377	1-7	70002384	5-13	70002725	4-11	7003983	4-12
70001378	1-7	70002385	5-15	70002726	4-11	7003986	4-11
70001379	1-7	70002386	5-7, 5-9, 9-1	70002728	4-11	7003989	4-12
70001380	1-7, 1-8	70002387	5-7, 5-9	70002730	4-15	7003992	4-11, 4-15
70001697	3-17	70002388	5-3	70002731	4-15	7003993	4-11, 4-15
70001961	2-3	70002389	5-5, 5-15	70002732	4-15	7003994	4-11
70001996	3-11, 9-1	70002400	2-7	70002733	4-15	7004035	2-15
70001998	3-11	70002401	2-7	70002734	4-16	7004043	2-15
70002311	2-15	70002402	2-7	70002735	4-16	7004044	2-15
70002312	2-15	70002403	2-7	70002736	4-11, 4-12	7004275	10-3
70002313	2-15	70002404	2-7	70002737	4-12	7004276	10-3
70002332	5-9	70002405	2-9	7000281	1-7	7007640	1-7
70002333	5-3, 5-5, 5-9, 5-11	70002406	2-9	70002902	4-4	7007900	1-5
70002334	5-9	70002408	1-5	70002903	4-5	7007913	1-5

SECTION 11 PARTS NUMBER INDEX

Part Number	Page	Part Number	Page	Part Number	Page	Part Number	Page
7007933	1-5	7019141	4-15	7022008	1-14, 7-9		
7007977	1-5	7019142	4-15	7022009	1-14		
7010542	2-7, 5-15	7019143	4-15	7022010	1-14		
7010543	2-7, 5-15	7019144	4-15	7022011	1-14, 9-1		
7011716	1-5	7019145	4-15	7022012	1-14, 7-10		
7011757	1-5	7019147	4-15	7022391	2-7, 2-9		
7012540	2-9	7019149	4-15	7022526	2-3		
7012545	1-11	7019150	4-15	7022808	4-15		
7012548	1-11	7019151	4-11	7022812	4-11, 4-12		
7012549	1-11	7019154	4-11	7022813	4-15		
7012694	2-9	7019157	4-11	7022815	4-15		
7012904	2-9	7019158	4-11	7024379	2-15		
7012914	2-9	7019159	4-11	7024380	2-15		
7012918	2-9	7019160	4-11	7024381	2-15		
7012941	2-7	7019161	4-11	7024389	2-15		
7012955	5-7, 5-9	7019162	4-11	7024390	2-15		
7012959	2-9	7019164	4-12	7024453	2-15		
7012967	2-7, 2-9, 5-7, 5-9	7019165	4-12	7024738	1-7		
7012972	2-7	7019167	4-12	7024741	1-7		
7012998	2-7, 2-9	7019168	4-11	7024883	2-7, 9-1		
7016319	2-21	7019170	4-15	7024884	5-7, 5-9		
7016356	4-5	7019174	4-15	7024885	2-7, 2-9, 9-1		
7016372	2-21	7019191	4-11, 7-6	7026048	2-13		
7016654	10-3	7019194	4-12	7026049	2-13		
7016655	10-3	7019195	4-15, 7-6	7026052	2-13		
7017007	1-7, 1-8	7019196	4-12	7027275	1-5		
7017009	1-7	7019197	4-15	7027350	2-13		
7017022	1-7	7019609	1-11	7027351	2-13		
701706	2-9	7020036	1-3	7027352	2-13		
7017120	3-17	7020037	1-3	7027353	2-13		
7017121	3-17	7020038	1-3	7027359	2-13		
7017122	3-17	7020039	1-3	7027900	3-17		
7017123	3-17	7020040	1-3	7027901	3-17		
7017126	3-17	7020041	1-3	7116691	2-11		
7017127	3-17	7020042	1-3	8310146	3-11		
7017165	3-19	7020054	1-3	8310668	3-11		
7017167	3-19	7020055	1-3	8750011	3-21		
7017168	3-19	7020137	1-3	88662530	3-10		
7017172	3-17, 3-19	7020140	1-3	8896941	10-3		
7017178	3-19	7020149	1-11				
7017179	3-19	7020150	1-11				
7017192	3-17, 3-19	7020151	1-11				
7017196	3-17	7020175	2-17, 4-7				
7017402	2-7, 2-9	7020176	2-17, 4-7				
7017406	2-7	7020184	1-11				
7017418	2-9	7020185	1-11				
7017421	2-9	7020189	1-11				
7017433	2-7	7021319	2-3				
7017452	2-9	7021360	2-4				
7017471	2-9	7021361	2-4				
7017488	2-7	7021367	2-4				
7017489	2-7, 2-9	7021377	2-3				
7017496	2-7, 2-9	7022000	1-14				
7019103	4-11	7022001	1-14				
7019110	4-11	7022002	1-14				
7019111	4-11, 4-15	7022003	1-14, 7-9				
7019112	4-11	7022004	1-14, 7-9				
7019115	4-11	7022005	1-14, 7-9				
7019137	4-15	7022007	1-14				



3121254



An Oshkosh Corporation Company

Corporate Office
JLG Industries, Inc.
1 JLG Drive
McConnellsburg PA. 17233-9533
USA

☎ (717) 485-5161

📠 (717) 485-6417

JLG Worldwide Locations

JLG Industries (Australia)
P.O. Box 5119
11 Bolwarra Road
Port Macquarie
N.S.W. 2444
Australia

☎ +61 2 65 811111

📠 +61 2 65 813058

JLG Latino Americana Ltda.
Rua Eng. Carlos Stevenson,
80-Suite 71
13092-310 Campinas-SP
Brazil

☎ +55 19 3295 0407

📠 +55 19 3295 1025

JLG Industries (UK) Ltd
Bentley House
Bentley Avenue
Middleton
Greater Manchester
M24 2GP - England

☎ +44 (0)161 654 1000

📠 +44 (0)161 654 1001

JLG France SAS
Z.I. de Baulieu
47400 Fauillet
France

☎ +33 (0)5 53 88 31 70

📠 +33 (0)5 53 88 31 79

JLG Deutschland GmbH
Max-Planck-Str. 21
D - 27721 Ritterhude - Ihlpohl
Germany

☎ +49 (0)421 69 350 20

📠 +49 (0)421 69 350 45

JLG Equipment Services Ltd.
Rm 1107 Landmark North
39 Lung Sum Avenue
Sheung Shui N. T.
Hong Kong

☎ (852) 2639 5783

📠 (852) 2639 5797

JLG Industries (Italia) s.r.l.
Via Po. 22
20010 Pregnana Milanese - MI
Italy

☎ +39 029 359 5210

📠 +39 029 359 5845

Oshkosh-JLG Singapore
Technology Equipment Pte
Ltd
29 Tuas Ave 4,
Jurong Industrial Estate
Singapore, 639379

☎ +65-6591 9030

📠 +65-6591 9031

Plataformas Elevadoras
JLG Iberica, S.L.
Trapadella, 2
P.I. Castellbisbal Sur
08755 Castellbisbal, Barcelona
Spain

☎ +34 93 772 4700

📠 +34 93 771 1762

JLG Sverige AB
Enkopingsvagen 150
Box 704
SE - 176 27 Jarfalla
Sweden

☎ +46 (0)850 659 500

📠 +46 (0)850 659 534